



MOONRING ELLIPSES

MR1.5/MR3-E | SUSPENDED, CEILING

STANDARD SIZES

1.5" or 3" Aperture
Ellipse sizes from 5' (60"x30") to 12' (144"x72")

LAMPING

LED - Direct & Indirect - 80/90 CRI - 2700K/3000K/3500K/4000K
Output Options: MIN/LOW/MED/HI/Tunable White/RGB/RGB+W
Dimming down to 0%

FINISH

Two Tone Paint Options (Select Models):
Brushed Aluminum, White, Black, Silver, Brass, RAL Classic Colors

CONSTRUCTION

Industrial Strength Extruded & Welded 6061 Aluminum





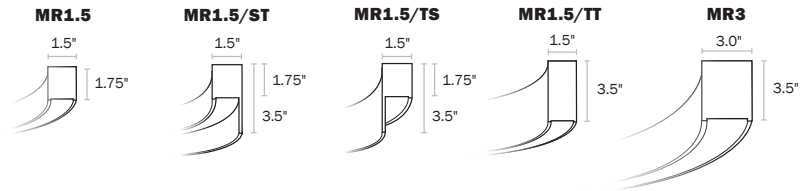
PRODUCT SUBMITTAL WORKSHEET

SAMPLE PRODUCT CODE

MR1.5/TS – E5 – CAS – MED/90/3500 – 0/10V/0% – LENS – LOW/90/3500 – 0/10V/0% – HT – BK – RAL1001 – UNV – EMB/1 – OS/1 – SB
 1 2 3 4 5 6 7 8 9 10 11 12 13A 13B 13C

1. BASE MODEL (CHOOSE ONE)

- MR1.5** 1.5", inside short wall, outside short wall
- MR1.5/ST** 1.5", inside short wall, outside tall wall
- MR1.5/TS** 1.5", inside tall wall, outside short wall
- MR1.5/TT** 1.5", inside tall wall, outside tall wall
- MR3** 3.0", equal wall



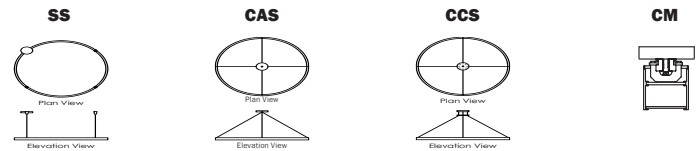
2. NOMINAL SIZE (CHOOSE ONE)

- E5** 5' ellipse (60in. x 30in.)
- E6** 6' ellipse (72in. x 36in.)
- E7** 7' ellipse (84in. x 42in.)
- E8** 8' ellipse (96in. x 48in.)
- E12** 12' ellipse (144in. x 72in.)

3. MOUNTING (CHOOSE ONE)

- SS** Standard Suspension
- CAS¹** Central Axis Suspension
- CCS¹** Collared Central Suspension
- CM¹** Ceiling Mounted (Not available with indirect lighting)

¹Unavailable for E7, E8, and E12 ellipse sizes.



4. LED LAMPING – DIRECT (CHOOSE ONE UNDER A, B, & C)

- | | | |
|-----------------------------------------------------------------|------------------------------------|---------------------------------------|
| A. OUTPUT² | B. CRI³ | C. CCT³ |
| <input type="checkbox"/> MIN | <input type="checkbox"/> 80 | <input type="checkbox"/> 2700K |
| <input type="checkbox"/> LOW | <input type="checkbox"/> 90 | <input type="checkbox"/> 3000K |
| <input type="checkbox"/> MED | | <input type="checkbox"/> 3500K |
| <input type="checkbox"/> HI | | <input type="checkbox"/> 4000K |
| <input type="checkbox"/> TUNE (80CRI, 2700K-6500K White) | | |
| <input type="checkbox"/> RGB | | |
| <input type="checkbox"/> RGBW (80CRI, 4000K White) | | |

Elevation View	
DELIVERED LUMENS (LM)	WATTS (W)
See pages 6-7 for complete details.	

²Direct/Indirect lighting combinations are limited when specifying HI OUTPUT due to increased thermal temperatures and/or driver type limitations. See the 'Direct/Indirect LED Lamping Chart' on page 8 and LED driver footnotes.

³CRI/CCT options not applicable for TUNE, RGB, or RGBW lighting.



5. REMOTE DRIVER — DIRECT (CHOOSE ONE)

- 0/10V/S** 0-10V dimming down to 5% (Standard Dimming — Down to 10% for TUNE lamping)
- 0/10V/1%** 0-10V dimming down to 1%
- 0/10V/0%⁴** 0-10V premium dimming down to 0%
- DALI** DALI flicker-free dimming down to 0% (Not compatible with TUNE lamping)
- DMX^{4,5}** DMX flicker-free dimming down to 0% (Select for RGB and RGBW lamping)
- ECOSYS1** Lutron Hi-lume 1% EcoSystem, constant current (Not compatible with TUNE lamping)
- ECOSYS5** Lutron 5-Series 5% EcoSystem, constant current (Not compatible with TUNE lamping)

⁴If choosing HI output for the DIRECT lamping option, INDIRECT lamping is unavailable for rings E7 and above.

⁵If choosing MED or HI output for the DIRECT lamping option, INDIRECT lamping is unavailable for rings E8 and E12.

6. LENS — DIRECT

- LENS** Extra diffuse lens

7. LED LAMPING — INDIRECT (CHOOSE NONE OR ONE UNDER A, B, & C)

- N** None. Choose when indirect lamping is not desired.

A. OUTPUT⁶

- MIN**
- LOW**
- MED**
- HI**
- TUNE** (80CRI, 2700K-6500K White)
- RGB**
- RGBW** (80CRI, 4000K White)

B. CRI⁷

- 80**
- 90**

C. CCT⁷

- 2700K**
- 3000K**
- 3500K**
- 4000K**

DELIVERED LUMENS (LM)	WATTS (W)
See pages 6-7 for complete details.	

⁶Direct/Indirect lamping combinations are limited when specifying HI OUTPUT due to increased thermal temperatures and/or driver type limitations. See the 'Direct/Indirect LED Lamping Chart' on page 8 and LED driver footnotes.

⁷CRI/CCT options not applicable for TUNE, RGB, or RGBW lamping.

8. REMOTE DRIVER — INDIRECT (CHOOSE ONE — NOT AVAILABLE WITH CEILING MOUNTING)

- N** None. Choose when indirect lamping is not desired.
- 0/10V/S** 0-10V dimming down to 5% (Standard Dimming — Down to 10% for TUNE lamping)
- 0/10V/1%** 0-10V dimming down to 1%
- 0/10V/0%⁸** 0-10V premium dimming down to 0%
- DALI** DALI flicker-free dimming down to 0% (Not compatible with TUNE lamping)
- DMX^{8,9}** DMX flicker-free dimming down to 0% (Select for RGB and RGBW lamping)
- ECOSYS1** Lutron Hi-lume 1% EcoSystem, constant current (Not compatible with TUNE lamping)
- ECOSYS5** Lutron 5-Series 5% EcoSystem, constant current (Not compatible with TUNE lamping)

⁸If choosing HI output for the DIRECT lamping option, INDIRECT lamping is unavailable for rings E7 and above.

⁹If choosing MED or HI output for the DIRECT lamping option, INDIRECT lamping is unavailable for rings E8 and E12.

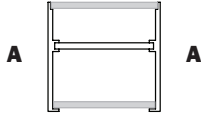
9. LENS — INDIRECT (CHOOSE ONE)

- N** None. Choose when indirect lamping is not desired. Fixture will be supplied with an aluminum cover in place of a lens to match the exterior finish.
- LENS** Extra diffuse lens
- HT¹⁰** High transmission, near-clear lens

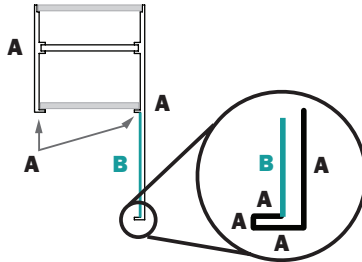
¹⁰High transmission lens increases lumen output by ~14%, but LED chip is visible. Recommended only when top-side of fixture is not directly visible.



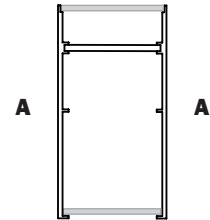
MR1.5 & MR3



MR1.5/ST & TS



MR1.5/TT



10. FINISH – SURFACE (A) (CHOOSE ONE)

- BAL** Brushed Aluminum
- BK** Black Powder Coat
- BRS** Brass Metallic Powder Coat
- SV** Silver Powder Coat
- WH** White Powder Coat
- WH/AM** White Antimicrobial Powder Coat (for healthcare environments)
- RAL_____** Specify RAL Classic Color code (ex: RAL3003) ralcolorchart.com/ral-classic

11. FINISH – SURFACE (B) (CHOOSE ONE - NOT APPLICABLE FOR MR1.5, MR1.5/TT AND MR3 BASE MODELS)

- BAL** Brushed Aluminum
- BK** Black Powder Coat
- BRS** Brass Metallic Powder Coat
- SV** Silver Powder Coat
- WH** White Powder Coat
- WH/AM** White Antimicrobial Powder Coat (for healthcare environments)
- RAL_____** Specify RAL Classic Color code (ex: RAL3003) ralcolorchart.com/ral-classic

12. VOLTAGE (CHOOSE ONE)

- UNV** Universal Voltage (120VAC-277VAC)
- 347** 347 Volt (*Driver options may be limited*)

13. ADDITIONAL OPTIONS (OPTIONAL – CHOOSE ONE UNDER A, B, & C, IF DESIRED)

A. EMERGENCY OPTIONS

- EMB/___¹¹** Emergency Battery (*indicate quantity – each battery powers 4 linear feet*)
- EMC/___¹¹** Emergency Circuit (*indicate quantity of 4 linear foot section to be illuminated by emergency circuit*)

¹¹Consult ALW for more details.

B. SENSOR OPTIONS (COMPATIBLE ONLY WITH 0-10V DRIVERS – INDICATE QUANTITY IF DESIRED, OTHERWISE IT WILL AUTOMATICALLY BE CALCULATED)

- ENLGT/___¹²** Enlighted® remote smart sensor (*occupancy, daylight, networking, and more*)
- OS/___** 0-10V remote occupancy sensor
- PH/___** 0-10V remote photocell/daylight sensor

¹²Enlighted® Gateway and Energy Manager (by others) plus programming required. Learn more at enlightedinc.com.

C. ADDITIONAL OPTIONS (COMPATIBLE ONLY WITH SUSPENSION MOUNT)

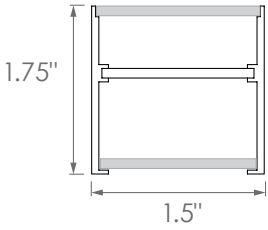
- COMBO** Combination 4.5" canopy at power feed locations to accommodate both power cord & suspension mount hardware.
- SB** Seismic Bracing



MECHANICAL DIAGRAMS

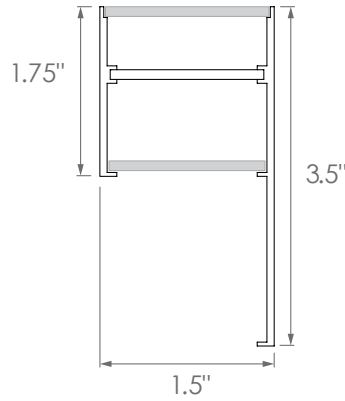
MR1.5

Inside Short Wall
Outside Short Wall



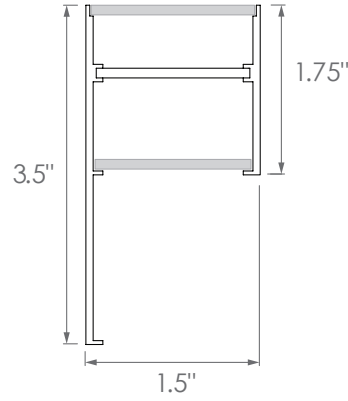
MR1.5/ST

Inside Short Wall
Outside Tall Wall



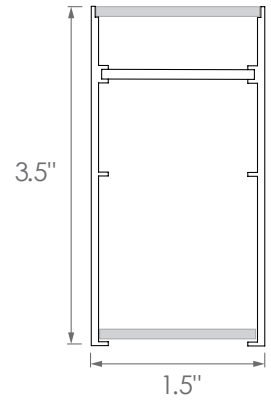
MR1.5/TS

Inside Tall Wall
Outside Short Wall



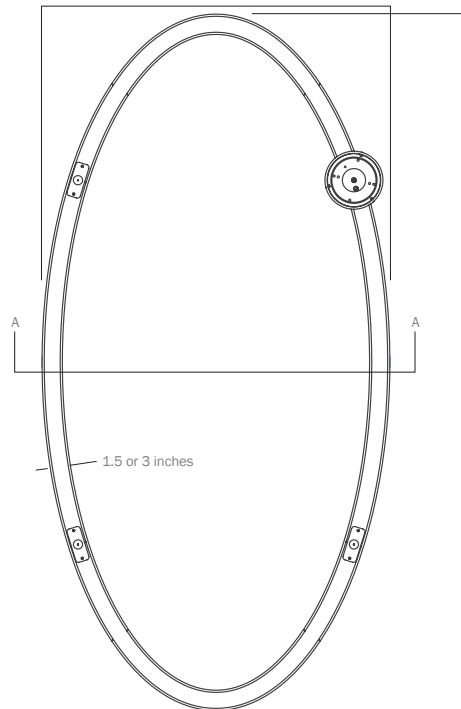
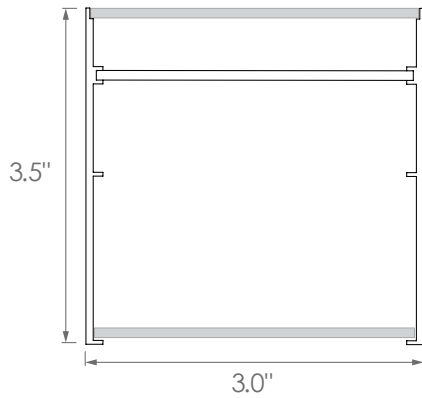
MR1.5/TT

Inside Tall Wall
Outside Tall Wall



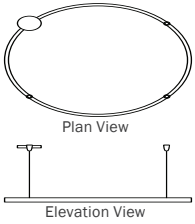
MR3

Inside Wall (3.5")
Outside Wall (3.5")



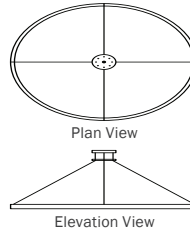
60x30 inches
72x36 inches
84x42 inches
96x48 inches
144x72 inches

MOUNTING OPTIONS



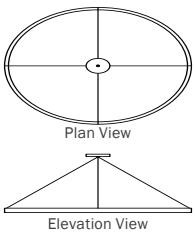
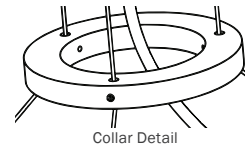
Standard Suspension (SS)

- (1) 4.5" white canopy per power feed location
- (1) bullet mount
- (1) 8' aircraft cable and
- (1) 2" white canopy (for use with T-bar mounting) per suspension point



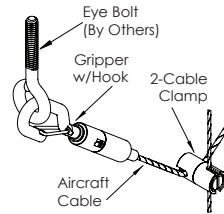
Central Collared Suspension (CCS)

- (1) 5" white central axis canopy and
- (1) 5" collared ring (color matches specified body finish) that all aircraft cables and power feeds route through.



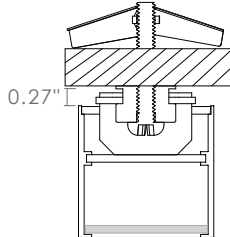
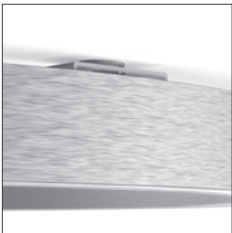
Central Axis Suspension (CAS)

- (1) 5" white central axis canopy per fixture that all aircraft cables/power feeds route into, as shown.



Seismic Bracing (SB)

- Add-on hardware includes cable gripper with hook, 2-cable clamp and specified length of aircraft cable per suspension point.



Ceiling Mount (CM)

Ceiling mount is for horizontal, ceiling mounting only. The fixture is not compatible with indirect lighting or vertical surface mounting (i.e. on a wall). Three ceiling-mount brackets per fixture. Surface Mount hardware adds 0.27" height to all options, as shown.



Combo Canopy (COMBO)

Choose option COMBO to specify 4.5" canopies at feed locations with power feed and aircraft cable suspension mounting. Canopy finish is always white. Contact ALW for alternate colors.



PERFORMANCE & MOUNTING DETAILS – MR1.5¹³

RING DIAMETER	OUTPUT TYPE	LUMENS (LM) <i>direct</i> <i>indirect</i>	WATTS (W) <i>direct OR indirect</i> <i>direct AND indirect</i>	POWER DROPS ¹⁴ <i>direct OR indirect</i> <i>direct AND indirect</i> <i>(Standard Driver)¹⁶</i>	REMOTE DRIVER BOXES ¹⁵ <i>direct OR indirect</i> <i>direct AND indirect</i> <i>(Standard Driver)¹⁶</i>	SUSPENSION POINTS	FIXTURE SECTIONS	APPROX. WEIGHT (LBS)	CENTRAL AXIS, COLLARED OR CEILING
E5 (MR1.5)	MIN	2900	46	1	1	4	1x Ring	24	YES
		3250	92	1	1				
	LOW	4325	69	1	1				
		4875	138	1	1				
	MED	5775	92	1	1				
		6500	184	1	1				
HI	8650	137	1	1					
9725	274	1	2						
RGB/RGBW	TBD	26/31	2	2					
		52/62	4	4					
TUNABLE	TBD	36	1	1					
		72	1	2					
E6 (MR1.5)	MIN	3475	55	1	1	4	1x Ring	29.5	YES
		3900	110	1	1				
	LOW	5200	82	1	1				
		5850	164	1	1				
	MED	6925	110	1	1				
		7775	220	1	2				
HI	10375	164	1	1					
11675	328	1	2						
RGB/RGBW	TBD	32/37	2	2					
		64/74	4	4					
TUNABLE	TBD	43	1	1					
		86	1	2					
E7 (MR1.5)	MIN	4050	64	2	2	4	2x Fixture Sections	34.25	NO
		4550	128	2	2				
	LOW	6075	96	2	2				
		6825	192	2	2				
	MED	8075	128	2	2				
		9075	256	2	2				
HI	12125	192	2	2					
13625	384	2	4						
RGB/RGBW	TBD	37/43	2	2					
		74/86	2	4					
TUNABLE	TBD	50	2	2					
		100	2	4					
E8 (MR1.5)	MIN	4625	73	2	2	4	2x Fixture Sections	38.5	NO
		5200	146	2	2				
	LOW	6925	110	2	2				
		7775	220	2	2				
	MED	9225	146	2	2				
		10375	292	2	2				
HI	13850	219	2	2					
15550	438	2	4						
RGB/RGBW	TBD	42/50	2	2					
		84/100	2	4					
TUNABLE	TBD	57	2	2					
		114	2	4					

¹³Performance calculations are based on LM-79 test of MAX output at 80 CRI and 4000K. MIN, LOW, MED and HIGH calculations are extrapolated values.

¹⁴Power Drop refers to the total quantity of canopies dropping low voltage power to the fixture. Each canopy may have one or multiple wire feeds supplying power to the fixture.

¹⁵One or more drivers may be enclosed in each Remote Driver Box. See your final drawing/submittal for details.

¹⁶Applies to 0/10V/S drivers (DMX for RGB/RGBW). For additional info on other driver models see your final drawing/submittal.



PERFORMANCE & MOUNTING DETAILS – MR1.5 (CONT.)¹³

RING DIAMETER	OUTPUT TYPE	LUMENS (LM) <i>direct</i> <i>indirect</i>	WATTS (W) <i>direct OR indirect</i> <i>direct AND indirect</i>	POWER DROPS ¹⁴ <i>direct OR indirect</i> <i>direct AND indirect</i> <i>(Standard Driver)¹⁶</i>	REMOTE DRIVER BOXES ¹⁵ <i>direct OR indirect</i> <i>direct AND indirect</i> <i>(Standard Driver)¹⁶</i>	SUSPENSION POINTS	FIXTURE SECTIONS	APPROX. WEIGHT (LBS)	CENTRAL AXIS, COLLARED OR CEILING
E12 (MR1.5)	MIN	6950 7800	110 220	4 4	4 4	8	4x Fixture Sections	58	NO
	LOW	10425 11700	165 330	4 4	4 4				
	MED	13875 15600	220 440	4 4	4 4				
	HI	20825 23400	330 660	4 4	4 4				
	RGB/RGBW	TBD	64/75 128/151	4 2	4 8				
	TUNABLE	TBD	86 172	4 2	4 8				

PERFORMANCE & MOUNTING DETAILS – MR3¹³

RING DIAMETER	OUTPUT TYPE	LUMENS (LM) <i>direct</i> <i>indirect</i>	WATTS (W) <i>direct OR indirect</i> <i>direct AND indirect</i>	POWER DROPS ¹⁴ <i>direct OR indirect</i> <i>direct AND indirect</i> <i>(Standard Driver)¹⁶</i>	REMOTE DRIVER BOXES ¹⁵ <i>direct OR indirect</i> <i>direct AND indirect</i> <i>(Standard Driver)¹⁶</i>	SUSPENSION POINTS	FIXTURE SECTIONS	APPROX. WEIGHT (LBS)	CENTRAL AXIS, COLLARED OR CEILING
E5 (MR3)	MIN	4550 5125	46 92	1 1	1 1	4	1x Ring	26.5	YES
	LOW	6825 7675	69 138	1 1	1 1				
	MED	9100 10225	92 184	1 1	1 1				
	HI	13625 15325	137 274	1 1	1 2				
	RGB/RGBW	TBD	26/31 52/62	2 4	2 4				
	TUNABLE	TBD	36 72	1 1	1 2				
E6 (MR3)	MIN	5450 6125	55 110	1 1	1 1	4	1x Ring	32.5	YES
	LOW	8175 9200	82 164	1 1	1 1				
	MED	10900 12250	110 220	1 1	1 2				
	HI	16350 18375	164 328	1 1	1 2				
	RGB/RGBW	TBD	32/37 64/74	2 4	2 4				
	TUNABLE	TBD	43 86	1 1	1 2				

¹³Performance calculations are based on LM-79 test of MAX output at 80 CRI and 4000K. MIN, LOW, MED and HIGH calculations are extrapolated values.

¹⁴Power Drop refers to the total quantity of canopies dropping low voltage power to the fixture. Each canopy may have one or multiple wire feeds supplying power to the fixture.

¹⁵One or more drivers may be enclosed in each Remote Driver Box. See your final drawing/submittal for details.

¹⁶Applies to 0/10V/S drivers (DMX for RGB/RGBW). For additional info on other driver models see your final drawing/submittal.



PERFORMANCE & MOUNTING DETAILS – MR3 (CONT.)¹³

RING DIAMETER	OUTPUT TYPE	LUMENS (LM) <i>direct indirect</i>	WATTS (W) <i>direct OR indirect direct AND indirect</i>	POWER DROPS ¹⁴ <i>direct OR indirect direct AND indirect (Standard Driver)¹⁶</i>	REMOTE DRIVER BOXES ¹⁵ <i>direct OR indirect direct AND indirect (Standard Driver)¹⁶</i>	SUSPENSION POINTS	FIXTURE SECTIONS	APPROX. WEIGHT (LBS)	CENTRAL AXIS, COLLARED OR CEILING
E7 (MR3)	MIN	6375 7150	64 128	2 2	2 2	4	2x Fixture Sections	37.75	NO
	LOW	9550 10725	96 192	2 2	2 2				
	MED	12725 14300	128 256	2 2	2 2				
	HI	19075 21425	192 384	2 2	2 4				
	RGB/RGBW	TBD	37/43 74/86	2 2	2 4				
	TUNABLE	TBD	50 100	2 2	2 4				
E8 (MR3)	MIN	7275 8175	73 146	2 2	2 2	4	2x Fixture Sections	42.5	NO
	LOW	10900 12250	110 220	2 2	2 2				
	MED	14550 16325	146 292	2 2	2 2				
	HI	21800 24500	219 438	2 2	2 4				
	RGB/RGBW	TBD	42/50 84/100	2 2	2 4				
	TUNABLE	TBD	57 114	2 2	2 4				
E12 (MR3)	MIN	10950 12300	110 220	4 4	4 4	8	4x Fixture Sections	63.75	NO
	LOW	16400 18425	165 330	4 4	4 4				
	MED	21875 24575	220 440	4 4	4 4				
	HI	32800 36850	330 660	4 4	4 4				
	RGB/RGBW	TBD	64/75 128/151	4 2	4 8				
	TUNABLE	TBD	86 172	4 2	4 8				

¹³Performance calculations are based on LM-79 test of MAX output at 80 CRI and 4000K. MIN, LOW, MED and HIGH calculations are extrapolated values.

¹⁴Power Drop refers to the total quantity of canopies dropping low voltage power to the fixture. Each canopy may have one or multiple wire feeds supplying power to the fixture.

¹⁵One or more drivers may be enclosed in each Remote Driver Box. See your final drawing/submittal for details.

¹⁶Applies to 0/10V/S drivers (DMX for RGB/RGBW). For additional info on other driver models see your final drawing/submittal.



DIRECT/INDIRECT LED LAMPING CHART

Due to high thermal conditions, Direct & Indirect Lamping combinations are limited to the options below. Additional lamping combinations may be limited to the driver specified.

		INDIRECT LAMPING							
		NONE	MIN	LOW	MED	HI	RGB	RGBW	TUNE
DIRECT LAMPING	MIN	✓	✓	✓	✓	✓	✓	✓	✓
	LOW	✓	✓	✓	✓	✓	✓	✓	✓
	MED	✓	✓	✓	✓	/	/	/	/
	HI	✓	✓	✓	/	/	/	/	/
	RGB	✓	✓	✓	/	/	✓	✓	✓
	RGBW	✓	✓	✓	/	/	✓	✓	✓
	TUNE	✓	✓	✓	/	/	✓	✓	✓

HOW TO CALCULATE VOLTAGE DROP?

Your MOONRING may be powered with more than 1x Class 2 LED driver. Let's use the White LED, 33VDC chart below as an example.

1. Determine Load Size of Each Circuit

- Open the driver enclosure and you'll see a silver sticker that indicates the Power (Wattage).
- Let's say the load is 45W. Round up to the nearest load, which is 50W (we're using the White LED, 33VDC chart in this example).

2. Determine Distance from Driver to Load

Let's assume the distance is 60 ft.

3. Determine Wire Gauge

In this example, ALW recommends to install 16 AWG wire between the Driver and Canopy (where power drops to the ring).

MOONRING VOLTAGE DROP CHART FOR REMOTE DRIVERS - WHITE LED, 33VDC

For best performance, ensure proper wire gauge is installed between the remote LED driver and canopy that is dropping power to your fixture. *This chart only applies to MOONRING White LEDs at 33VDC. Do not use this chart to calculate voltage drop for other fixtures.*

WIRE GAUGE	20W 0.61A	30W 0.91A	40W 1.21A	50W 1.52A	60W 1.82A	70W 2.12A	80W 2.42A	90W 2.73A	100W 3.03A
18 AWG	119 ft.	77 ft.	55 ft.	43 ft.	34 ft.	28 ft.	23 ft.	20 ft.	17 ft.
16 AWG	195 ft.	127 ft.	93 ft.	73 ft.	59 ft.	50 ft.	42 ft.	37 ft.	32 ft.
14 AWG	315 ft.	207 ft.	153 ft.	121 ft.	99 ft.	84 ft.	72 ft.	63 ft.	56 ft.
12 AWG	506 ft.	334 ft.	249 ft.	197 ft.	163 ft.	138 ft.	120 ft.	106 ft.	94 ft.
10 AWG	809 ft.	537 ft.	400 ft.	319 ft.	264 ft.	225 ft.	196 ft.	173 ft.	155 ft.

MOONRING VOLTAGE DROP CHART FOR REMOTE DRIVERS - RGB LED, 24VDC

For best performance, ensure proper wire gauge is installed between the remote LED driver and canopy that is dropping power to your fixture. *This chart only applies to MOONRING RGB fixtures at 24VDC. Do not use this chart to calculate voltage drop for other fixtures.*

WIRE GAUGE	20W 0.83A	30W 1.25A	40W 1.67A	50W 2.08A	60W 2.50A	70W 2.92A	80W 3.33A	90W 3.75A	100W 4.20A
18 AWG	59 ft.	37 ft.	25 ft.	19 ft.	14 ft.	11 ft.	8 ft.	7 ft.	5 ft.
16 AWG	99 ft.	63 ft.	45 ft.	35 ft.	27 ft.	22 ft.	18 ft.	15 ft.	13 ft.
14 AWG	163 ft.	106 ft.	77 ft.	60 ft.	49 ft.	40 ft.	34 ft.	30 ft.	26 ft.
12 AWG	264 ft.	173 ft.	128 ft.	100 ft.	82 ft.	69 ft.	60 ft.	52 ft.	46 ft.
10 AWG	424 ft.	280 ft.	208 ft.	164 ft.	136 ft.	115 ft.	100 ft.	88 ft.	78 ft.

SS112818-A.0



ADDITIONAL OPTIONS & SPECIFICATIONS

LENS

Direct: Extra diffused opal acrylic lens (LENS).

Indirect: Extra diffused opal acrylic lens (LENS) OR clear high transmission lens (HT).

HOUSING

100% recyclable, extruded architectural grade 6061 aluminum with a 0.075" minimum wall thickness.

SAFETY & REGULATORY

ETL Listed (U.S. & Canada). Suitable for dry locations only.
Conforms to UL std. 2108, Low Voltage Luminaires / Low Voltage Lighting Systems.
Certified to CSA std. C22.2#250.0:2008 Ed. 3+G1;G2.

OPERATING TEMPERATURE

Luminaire should be installed and operated ONLY in dry environments where the ambient temperature ranges from -4 °F to 122 °F (-20 °C to 50 °C). Luminaire operation in environments outside the listed temperature range voids the warranty AND may damage the product or adversely impact lamp life, lumen output and color consistency.

WARRANTY

Limited 5-year warranty. Details: alwusa.com/warranty

SENSOR OPTIONS

Optional, occupancy detection (OS) and/or daylight harvesting (PS) sensor available. Or upgrade to an optional Enlighted® Smart Sensor (ENLGHT) for additional capabilities. Contact ALW for details.

FINISH



Brushed Aluminum



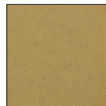
White*



Black



Silver



Brass



RAL Classic

*For healthcare environments, a white antimicrobial finish (WH/AM) is also available.