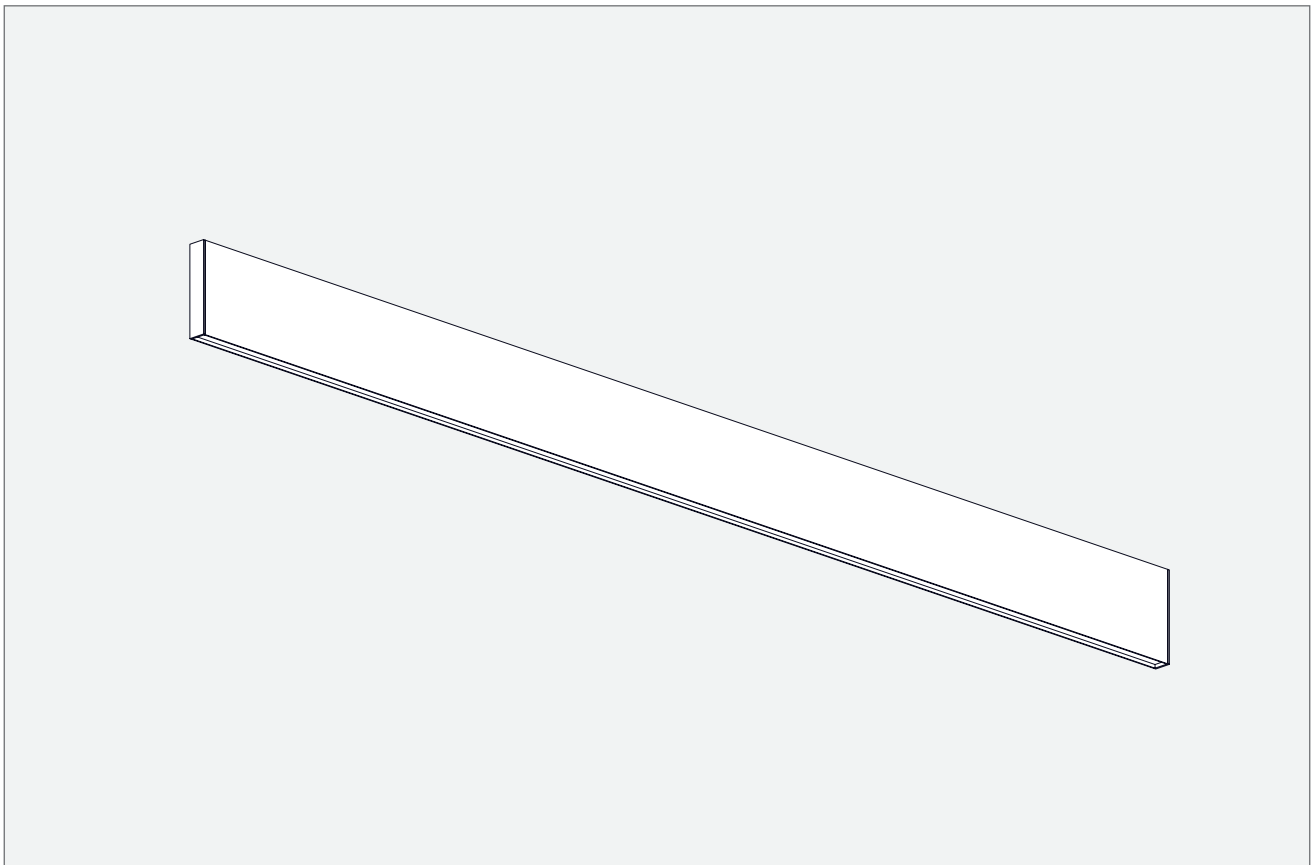




INSTALLATION INSTRUCTIONS

H-BEAM MICRO

Wall Mount



HB1.25 - Safety & Warnings!

1. Read all instructions.
2. Install in accordance with national and local electrical code regulations.
3. This product is intended to be installed and serviced by a qualified, licensed electrician.
4. Do not install in wet locations. For dry and damp use only.
5. Turn off electrical power before installing or servicing fixture in any way.
6. To reduce the risk of fire and overheating, make sure all connections are tight.
7. This product is suitable for continuous row mounting.

HB1.25 - Attention!

1. Lisez toutes les instructions.
2. Installez conformément à la réglementation du code électrique national et local.
3. Ce produit est destiné à être installé et entretenu par un électricien agréé qualifié.
4. Ne pas installer à l'extérieur ou dans des endroits humides. Pour une utilisation en intérieur et sec seulement.
5. Coupez l'alimentation électrique avant de évoluer le système d'éclairage en aucune façon.
6. Pour réduire le risque d'incendie et de surchauffe, assurez-vous que toutes les connexions sont bien serrées.
7. Peut être monté en rangée continue.

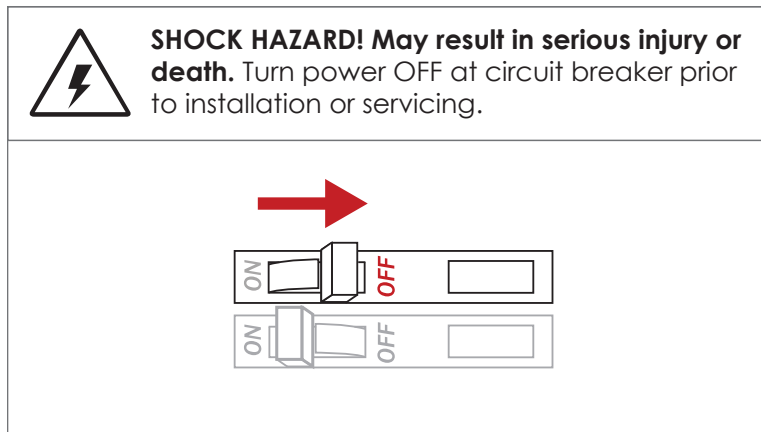
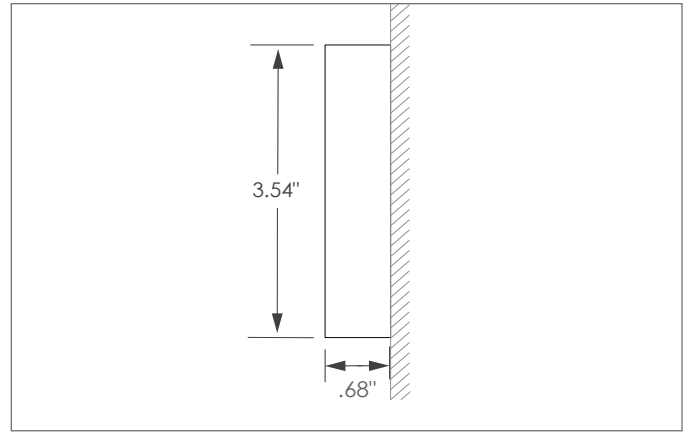
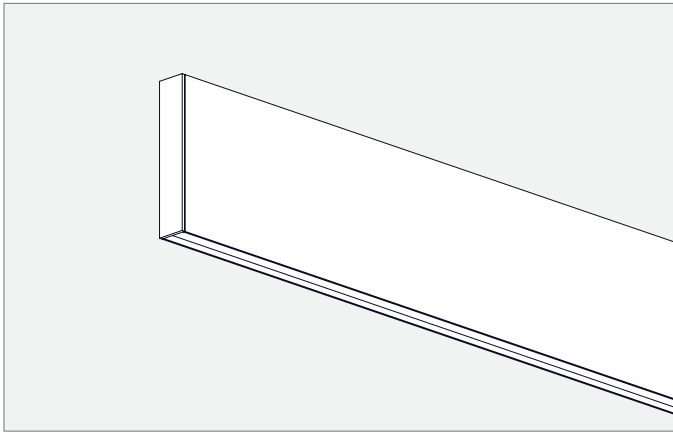


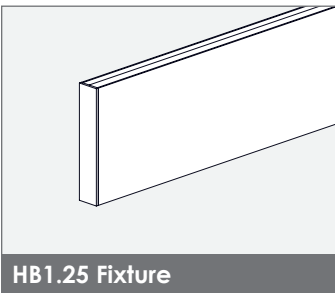
Table of Contents

Luminaire Overview	4
Diagram	4
Included Parts	4
Parts (by others)	4
Tools Required	4
Quick Specs	4
Installation	5
Prepare Wall	5
Connect Wiring	6
Mount Fixture	7
Finishing (single-section fixtures)	7
Wiring Diagrams	8
Traditional On/Off	8
0-10V Dimming	8
DMX	8
DALI	8
Lutron LDE	8
Troubleshooting	9

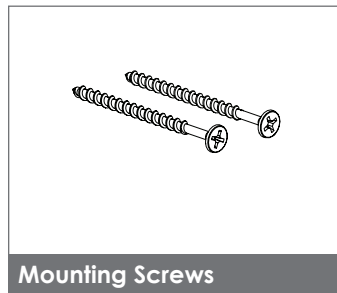
Luminaire Overview



Included Parts



HB1.25 Fixture



Mounting Screws

Parts (by others)

- 2" x 4" J-Box for wall applications

Tools Required

- Drill
- #2 phillips bit
- Screwdriver
- Level

Quick Specs

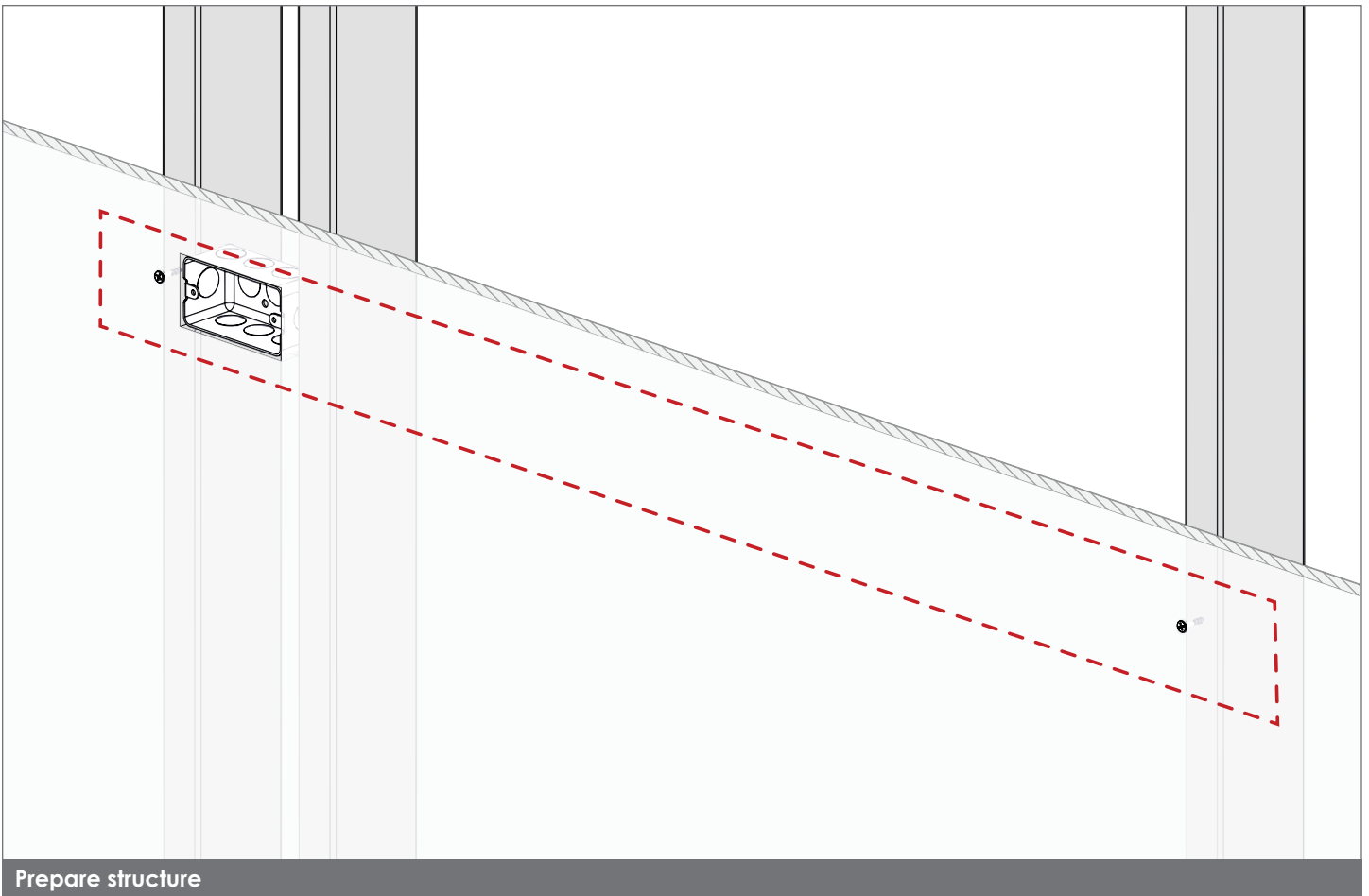
Input Voltage / Frequency:
See product label

Rated Current:
See engineering drawing

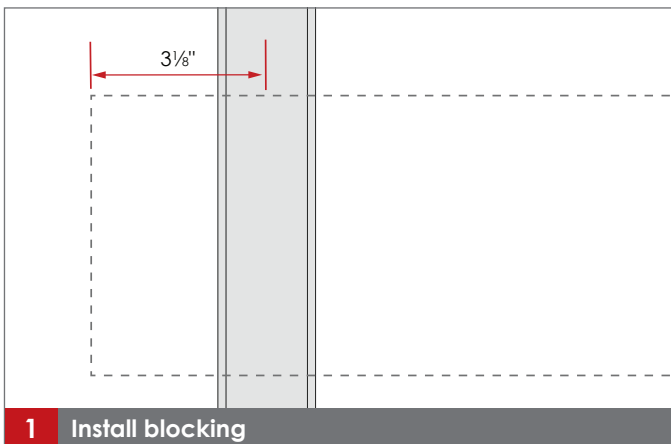
Ambient Temperature:
-4° – 120°F (-20° – 50°C)

Environment:
Dry and damp locations

Installation: Prepare Wall

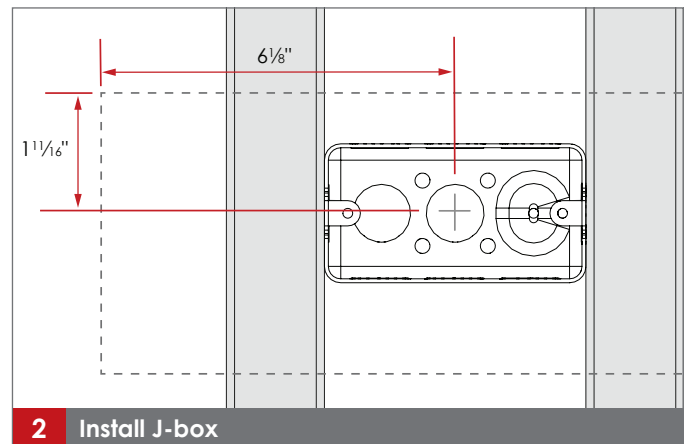


Prepare structure



1 Install blocking

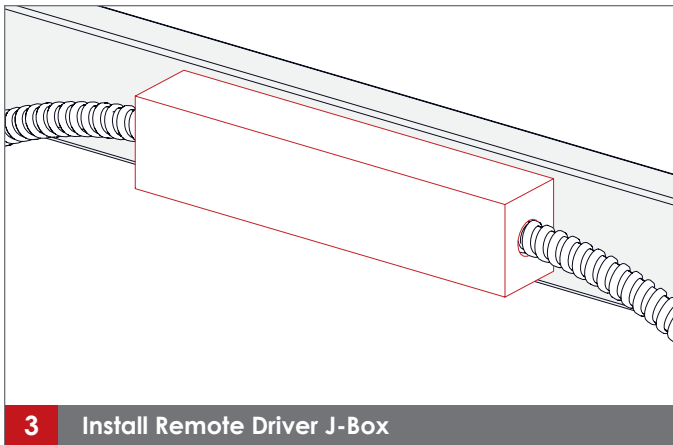
Install blocking approximately 3 1/8" from intended end of fixture. See submittal drawings for full mounting dimensions.



2 Install J-box

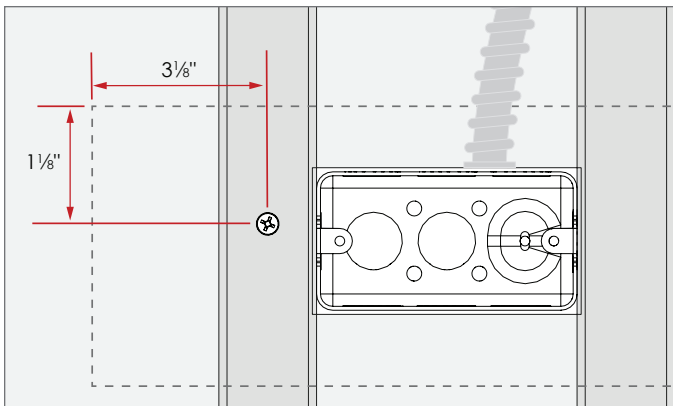
Install 2 x 4 in. J-box into wall (not included). Center of J-Box should be approximately 6 1/8" from intended end of fixture and 1 11/16" from intended top of fixture.

Installation: Prepare Wall



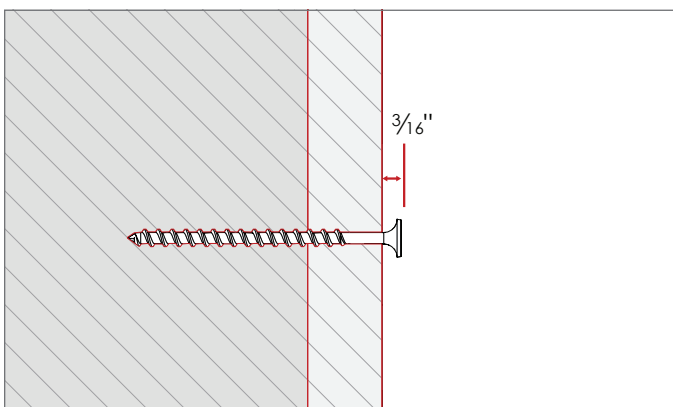
3 Install Remote Driver J-Box

Install remote driver J-Box(es) in an accessible/ serviceable location. Run low voltage wire from Remote Driver J-Box to Canopy J-Box in accordance with local/ state/federal regulations.



4 Install drywall and mounting screws

Install drywall and screw in mounting screws 3 1/8" from intended end of fixture and 1 1/8" from intended top of fixture.



5 Install mounting screw

Screw mounting screw in until head is approximately 3/16" from wall surface.

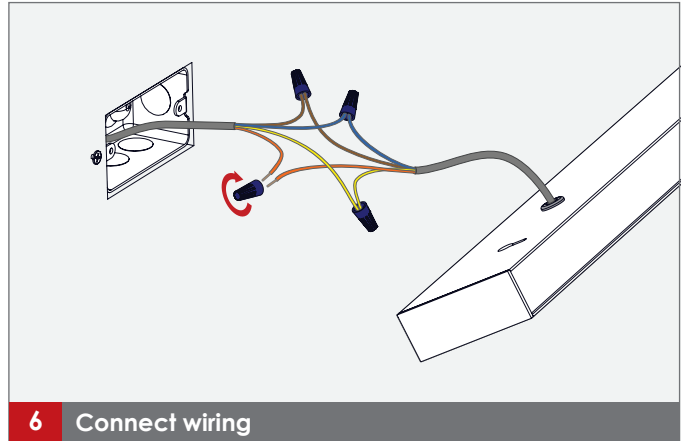
Installation: Connect Wiring



SHOCK HAZARD! May result in serious injury or death. Turn power OFF at circuit breaker prior to installation or servicing.



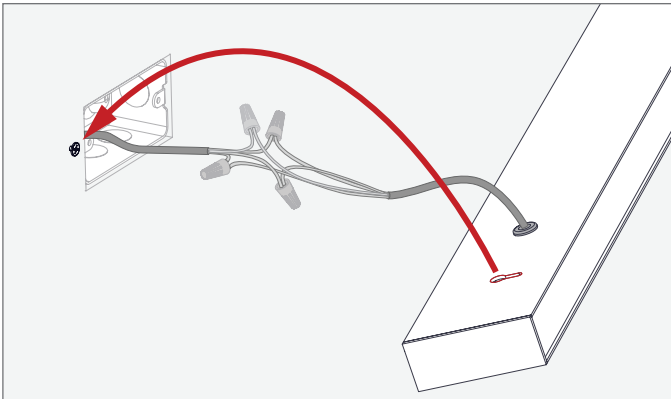
DO NOT PINCH OR PUT EXCESSIVE TENSION ON WIRES while joining sections or reattaching end caps.



6 Connect wiring

Make wiring connections between J-Box (from remote driver) and fixture. **See submittal drawings and diagrams on pg. 8 for complete wiring instruction.**

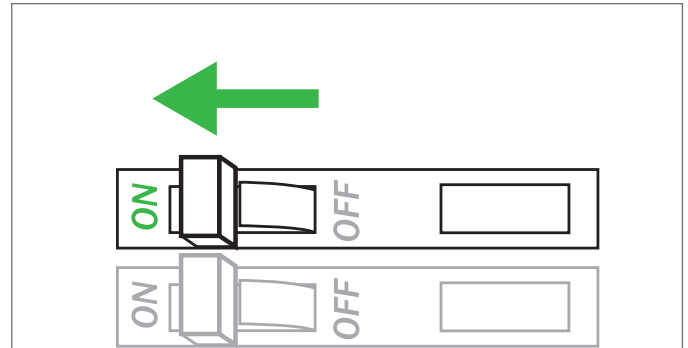
Installation: Mount Fixture



7 Mount fixture to wall

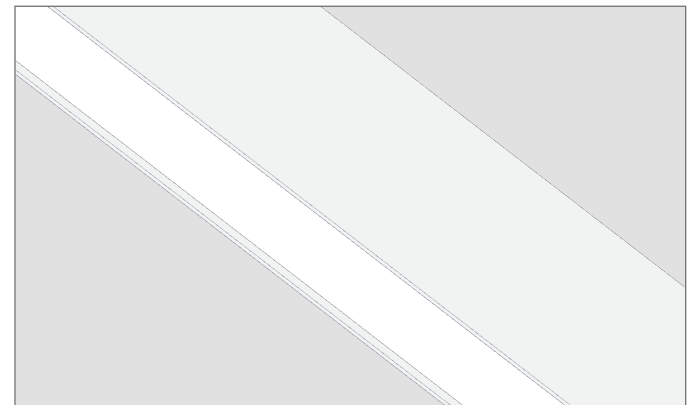
Position keyholes over mounting screws and slide fixture down to ensure proper attachment. If fixture does not slide down, unscrew mounting screw slightly. If fixture is loose on keyhole, tighten mounting screw slightly.

Installation: Finishing (single section fixtures)



8 Turn power on

Turn power back on at the breaker.

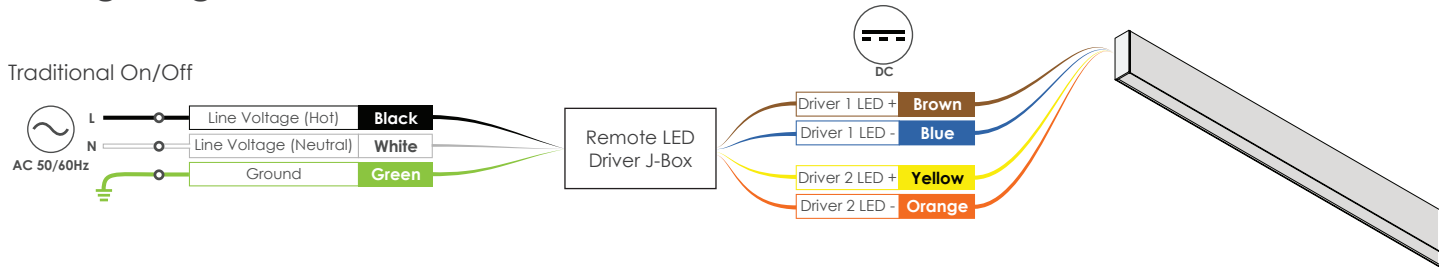


9 Illuminate fixture

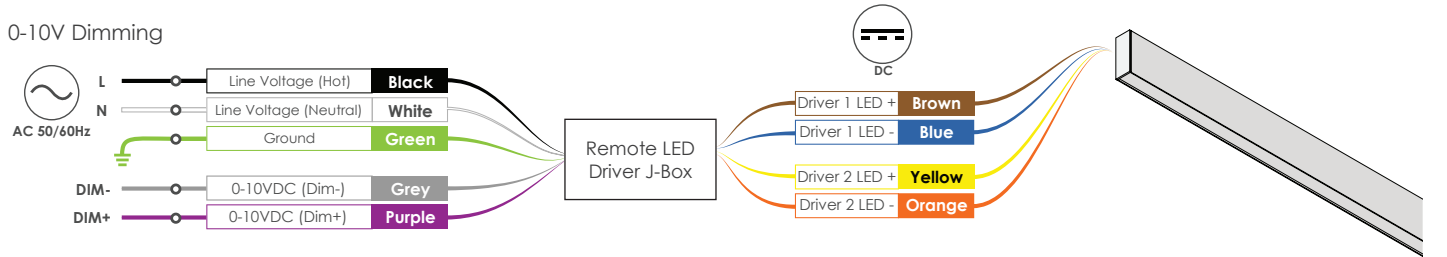
Power fixture and check for complete illumination

Wiring Diagrams

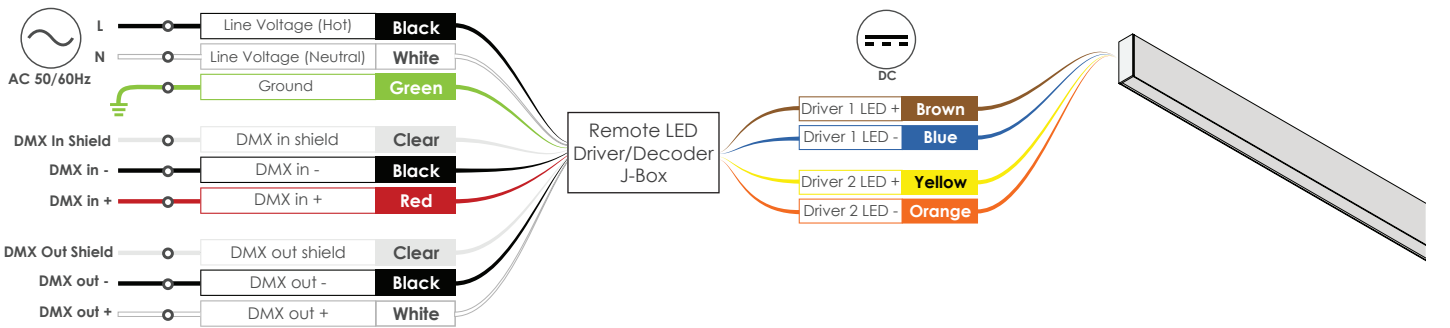
Traditional On/Off



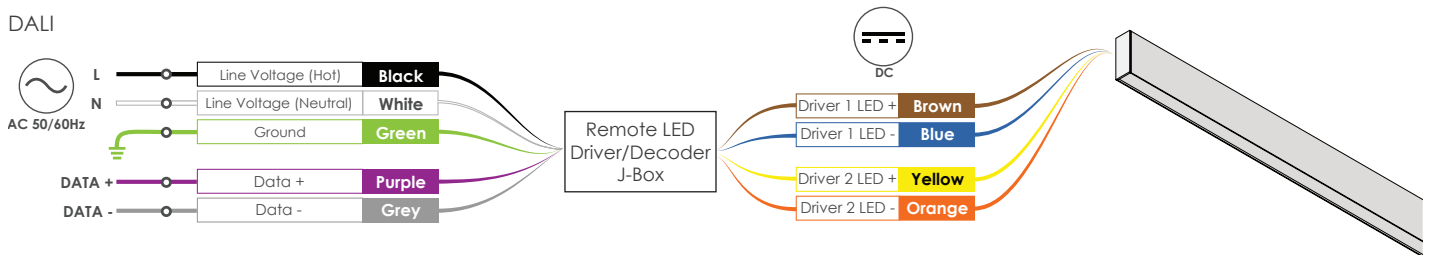
0-10V Dimming



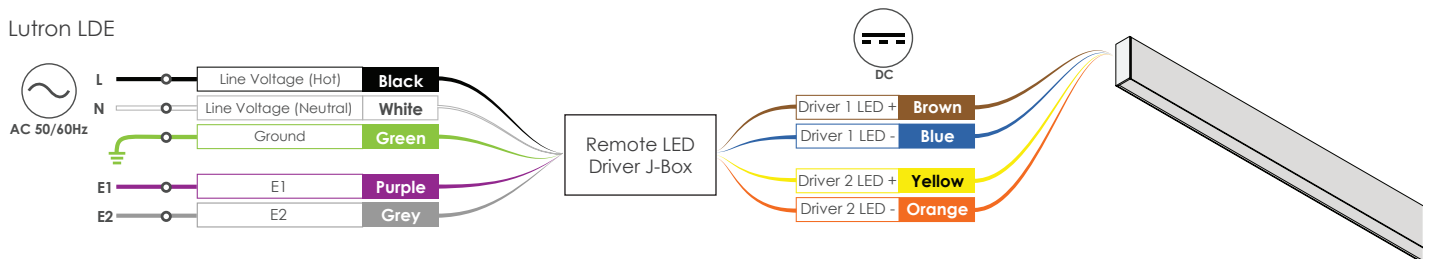
DMX



DALI



Lutron LDE



Troubleshooting

Only a certified electrician can service and troubleshoot product field issues. Always turn main power off before servicing fixture.

Full Fixture does not illuminate

- Ensure fixture is wired correctly and power is on.
- Check that circuit breaker is on and not off or tripped.
- Internal LED driver may be defective.
- Ensure no wires are pinched between parts after joining sections or re-attaching end caps.

Full fixture is flickering

- **0-10V, DMX, and DALI Dimming Models:** Ensure polarity is correct for DATA + and - connections. Swapping DATA + and - connections can cause flickering.
- **TRIAC Dimming Models:** Ensure a compatible TRIAC Forward Phase dimmer is connected to fixture. Call tech support for further information.
- Possible loose DATA + and - connections from fixture to 0-10V, DMX, or DALI control.
- Possible loose low voltage DC + or - connection from driver to LED. Call customer support.

Fixture section(s) do not illuminate

- Possible loose low voltage DC + or - connection between LED boards or from LED driver to LED boards.
- Some fixtures contain multiple LED drivers. In this case, it's possible one of the drivers is defective, which will cause the LED connected to the driver not to illuminate. Call tech support.
- Ensure no wires are pinched between parts after joining sections or re-attaching end caps.

Fixture section(s) are flickering

- Possible loose low voltage DC + or - connection between LED boards.

Fixture does not dim

- **0-10V, DMX, and DALI Dimming Models:** Ensure polarity is correct for DATA + and - connections. Swapping DATA + and - connections can cause flickering.
- **TRIAC Dimming Models:** Ensure a compatible TRIAC Forward Phase dimmer is connected to fixture. Call tech support for further information.
- Possible loose DATA + and - connections from fixture to 0-10V, DMX, or DALI control.