



SUPERPLANE 4

SP4 | CONTROLROLL OPTICS | SUSPENDED, WALL, SURFACE

STANDARD SIZES

4" Aperture
Configurable in linear shapes and straight run sections
CONTROLROLL Optics – up to 250 feet of seamless illumination

LAMPING

LED - Direct & Indirect - 80/90 CRI - 3000K/3500K/4000K
Output Options: MIN/LOW/MED/HI/MAX/Tunable White/RGB/RGB+W
Dimming down to 0%
Accent Downlights Available (800/1000/1500LM Output Options)

FINISH

Anodized Aluminum, White, Black, Silver, Brass, RAL Classic Colors

CONSTRUCTION

Industrial Strength Extruded 6063 Aluminum





PRODUCT SUBMITTAL WORKSHEET

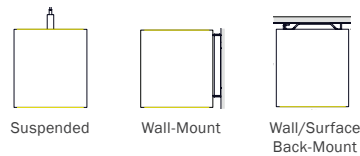
SAMPLE PRODUCT CODE

SP4S – S5 – MED/90/3500 – 0/10V/0% – CR/S – LOW/90/3500 – 0/10V/0% – CR/S – DL1000/80/3500/25 – 0/10V/0% – 1 – WH – UNV –

EMB/1 – OS/1 – COMBO – SB

1. BASE MODEL (CHOOSE ONE)

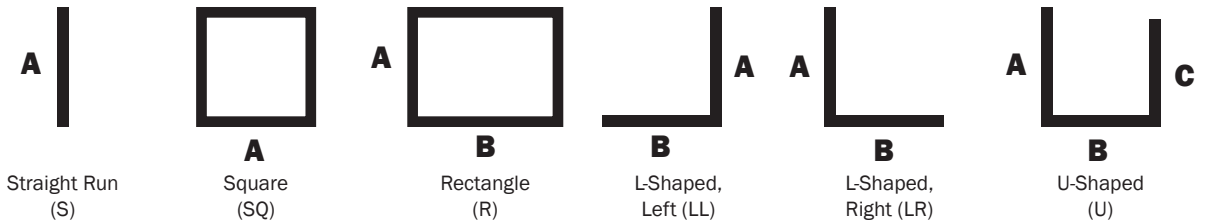
- SP4S** QS 4.0" Suspended
- SP4W** QS 4.0" Wall-Mount
- SP4SMB** QS 4.0" Wall/Surface, Back-Mounted
(SMB available only with direct lampping)



2. SHAPE/LENGTH (CHOOSE ONE & ENTER LENGTH IN FEET – FOR CUSTOM ANGLES, CONTACT ALW – APPROX. 5.5 LBS. PER LINEAR FOOT)

- S__** QS Individual/Straight Run Section (enter length, ex. S5)
- SQ__** QS Square Configuration (enter side length A, ex: SQ5)
- R_ _** QS Rectangular Configuration (enter side lengths A and B, ex. R5-7)
- LL_ _** QS L-Shaped, Left Configuration (enter side lengths A and B, ex. LL5-7)
- LR_ _** QS L-Shaped, Right Configuration (enter side lengths A and B, ex. LR5-7)
- U_ _ _** QS U-Shaped Configuration (enter side lengths A, B, and C, ex. U5-7-4)

*Lengths greater than 8' consist of multiple individual housing sections joined together, and include ONE continuous CONTROLROLL lens for the entire straight/linear run.
 *Lengths are nominal and may vary based on lampping and other specification selections. Consult ALW when exact lengths are required.



3. LED LAMPING – DIRECT (CHOOSE NONE OR ONE UNDER A, B, & C, AS NECESSARY)

- N** QS None. Select when direct lampping is not desired.

A. OUTPUT

- QS MIN
- QS LOW
- QS MED
- QS HIGH
- QS MAX
- TUNE
- RGB
- RGBW

B. CRI¹

- QS 80
- 90

C. CCT¹

- QS 3000K
- QS 3500K
- QS 4000K

DELIVERED LUMENS (LM)	WATTS (W)	EFFICACY (LM/W)
See page 7 for complete details.		Up to 109 lm/W

¹Not applicable for TUNE, RGB, or RGBW lampping.

QS = QuickShip-qualifying option. For the entire luminaire configuration to be QuickShip-eligible, ALL options specified in the configuration must be ones notated with "QS". NOTE: Maximum 800 ft. of QuickShip-eligible product per order.

SS110518-A.0



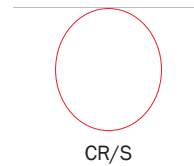
4. DRIVER – DIRECT (CHOOSE ONE)

- N** **QS** None. *Select when direct lamping is not desired.*
- 0/10V/S** **QS** 0-10V dimming down to 5% (Standard Dimming – Down to 10% for TUNE lamping)
- 0/10V/1%** **QS** 0-10V dimming down to 1%
- 0/10V/0%** 0-10V premium dimming down to 0%
- DALI** DALI flicker-free dimming down to 0%
- DMX** DMX flicker-free dimming down to 0% (Select for RGB or RGBW lamping)
- ECOSYS1** **QS** Lutron Hi-lume 1% EcoSystem, constant current
- ECOSYS5** Lutron 5-Series 5% EcoSystem, constant current (Not compatible with RGB, RGBW or TUNE lamping)

**Driver specifications provided upon request to assist with control system integration.*

5. LENS – DIRECT (CHOOSE ONE)

- N** **QS** None. *Select when direct lamping is not desired.*
- CR/S** **QS** CONTROLROLL lens with direct, symmetrical distribution



6. LED LAMPING – INDIRECT (CHOOSE NONE OR ONE UNDER A, B, & C, AS NECESSARY – NOT COMPATIBLE WITH SMB MOUNT)

- N** **QS** None. *Select for SMB mount or when indirect lamping is not desired.*

A. OUTPUT

B. CRI²

C. CCT²

- QS MIN**
- QS 80**
- QS 3000K**
- QS LOW**
- 90**
- QS 3500K**
- QS MED**
- QS 4000K**
- QS HIGH**
- QS MAX**
- TUNE**
- RGB**
- RGBW (4000K White)**

DELIVERED LUMENS (LM)	WATTS (W)	EFFICACY (LM/W)
See page 7 for complete details.		Up to 121 lm/W

²Not applicable for TUNE, RGB, or RGBW lamping.

7. DRIVER – INDIRECT (CHOOSE ONE – NOT COMPATIBLE WITH SMB MOUNT)

- N** **QS** None. *Select for SMB mount or when indirect lamping is not desired.*
- 0/10V/S** **QS** 0-10V dimming down to 5% (Standard Dimming – Down to 10% for TUNE lamping)
- 0/10V/1%** **QS** 0-10V dimming down to 1%
- 0/10V/0%** 0-10V premium dimming down to 0%
- DALI** DALI flicker-free dimming down to 0%
- DMX** DMX flicker-free dimming down to 0% (Select for RGB or RGBW lamping)
- ECOSYS1** **QS** Lutron Hi-lume 1% EcoSystem, constant current
- ECOSYS5** Lutron 5-Series 5% EcoSystem, constant current (Not compatible with RGB, RGBW, or TUNE lamping)

**Driver specifications provided upon request to assist with control system integration.*

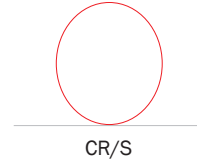
QS = QuickShip-qualifying option. For the entire luminaire configuration to be QuickShip-eligible, ALL options specified in the configuration must be ones notated with "QS". NOTE: Maximum 800 ft. of QuickShip-eligible product per order.

SS110518-A.0



8. LENS – INDIRECT (CHOOSE ONE – NOT COMPATIBLE WITH SMB MOUNT)

- N** QS None. *Select for SMB mount or when indirect lighting is not desired.*
- CR/S** QS CONTROLROLL lens with direct, symmetrical distribution



9. ACCENT – DOWNLIGHT (CHOOSE NONE OR ONE UNDER A, C, & D)

- N** QS None. *Select when Accent Downlight Lamping is not desired.*

A. SPOT B. CRI C. CCT D. BEAM SPREAD

- DL800** **80** **3000K** **25**
- DL1000** **3500K** **40**
- DL1500** **4000K**



DELIVERED LUMENS (LM)	WATTS (W)	EFFICACY (LM/W)
See page 7 for complete details.		Up to 167 lm/W

10. ACCESSORY – ACCENT DOWNLIGHT (COMING SOON)

- N** QS None
- HEX** Hexcell Louver
- SNT** Snoot
- HEXSNT** Both Hexcell Louver and Snoot



11. DRIVER – ACCENT DOWNLIGHT (CHOOSE ONE)

- N** QS None. *Select when Accent Downlight Lamping is not desired.*
- [_____]** Same as Driver - Direct (or Driver - Indirect, when Direct is NONE)

12. QUANTITY – ACCENT DOWNLIGHT (CHOOSE ONE)

- N** QS None
- Enter total quantity of downlights per run length. *(Maximum 1x for 2-3ft., 2x for 4-5ft., and 3x for 6-8ft.)*

13. FINISH (CHOOSE ONE)

- AL** QS Natural Anodized Aluminum (Standard Finish)
- BK** QS Black Powder Coat
- BRS** Brass Metallic Powder Coat
- SV** Silver Powder Coat
- WH** QS White Powder Coat
- WH/AM** White Antimicrobial Powder Coat (for healthcare environments)
- RAL_____** Specify RAL Classic Color code (ex: RAL3003) ralcolorchart.com/ral-classic

QS = QuickShip-qualifying option. For the entire luminaire configuration to be QuickShip-eligible, ALL options specified in the configuration must be ones notated with "QS". NOTE: Maximum 800 ft. of QuickShip-eligible product per order.

SS110518-A.0



14. VOLTAGE (CHOOSE ONE)

- UNV** **QS** Universal Voltage (120VAC-277VAC)
 347 347 Volt (Driver options may be limited)

15. ADDITIONAL OPTIONS (OPTIONAL — CHOOSE ONE UNDER A & B, AND ANY UNDER C, IF DESIRED)

A. EMERGENCY OPTIONS

- EMB/___**³ **QS** Emergency Battery (indicate quantity — each battery powers 4ft with a delivered lumen output of 1492lm)
 EMC/___³ **QS** Emergency Circuit (indicate quantity of 4ft sections to be illuminated by emergency circuit)

³For fixtures under 4ft in length, entire fixture will be illuminated with a proportional lumen output. Consult ALW for more details.

B. SENSOR OPTIONS (COMPATIBLE ONLY WITH 0-10V DRIVERS — DEFAULT QUANTITY IS 1 SENSOR PER 8FT, INDICATE ALTERNATE QUANTITY IF DESIRED)

- ENLGH/___**⁴ **QS** Enlighted® remote smart sensor (occupancy, daylight, networking, and more)
 ENLGH/INT/___⁴ **QS** Enlighted® integral smart sensor (occupancy, daylight, networking, and more)
 OS/___ 0-10V remote occupancy sensor
 PH/___ 0-10V remote photocell/daylight sensor

⁴Enlighted® Gateway and Energy Manager (by others) plus programming required. Learn more at enlightedinc.com.

C. ADDITIONAL OPTIONS (COMPATIBLE ONLY WITH SUSPENDED MODELS)

- COMBO** **QS** Combination 4.5" canopy at power feed locations to accommodate both power cord & suspension mount hardware.
 SB **QS** Seismic Bracing

QS = QuickShip-qualifying option. For the entire luminaire configuration to be QuickShip-eligible, ALL options specified in the configuration must be ones notated with "QS". NOTE: Maximum 800 ft. of QuickShip-eligible product per order.

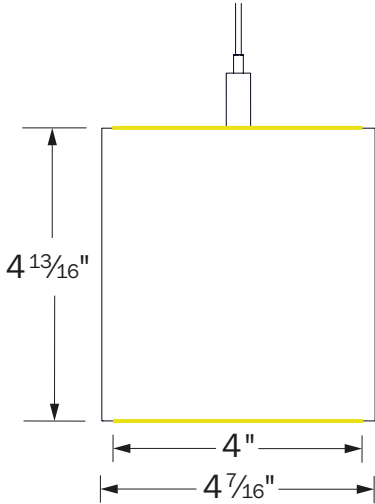
SS110518-A.0



MECHANICAL DIAGRAMS

SUSPENDED

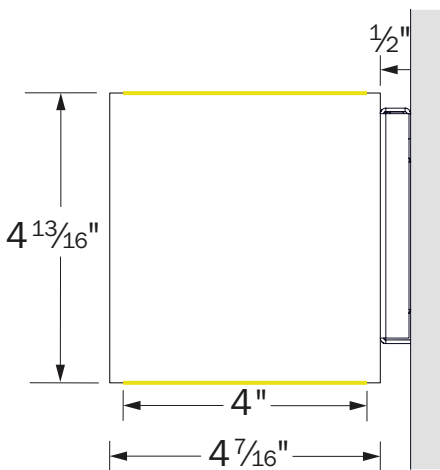
Suspended mounting can be specified with direct, indirect, or both direct and indirect lamping.



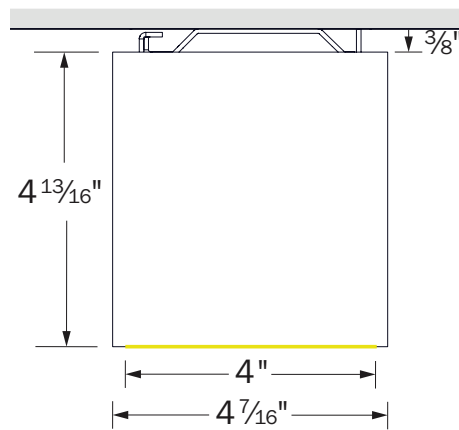
SP4S
SUSPENDED MOUNT

SURFACE/WALL MOUNT

Wall mounting can be specified with direct, indirect, or both direct and indirect lamping - surface back mount is only available with direct lamping. The wall mount hardware adds 1/2" to the dimensions of the fixture, and the surface/back mount adds an extra 3/8" to the dimensions of the fixture, as shown.



SP4W
WALL MOUNT



SP4SMB
WALL/SURFACE (BACK) MOUNT



PERFORMANCE DETAILS – LINEAR LAMPING

OUTPUT	DELIVERED LUMENS (LM/FT)	WATTS (W/FT)	EFFICACY (LM/W)	CRI OPTIONS	CCT OPTIONS
	<i>direct</i> <i>indirect</i>		<i>direct</i> <i>indirect</i>		
MIN ⁵	300 325	3.4	88 96	80 90	3000K 3500K 4000K
LOW ⁵	500 550		4.9		
MED ⁵	700 775	6.4	109 121		
HI ⁵	900 1000	8.5	106 118		
MAX	1200 1300	11.9	101 109		
TUNE ^{6,7}	Tunable White	11.2	N/A	N/A	2700K-5700K
RGB ⁷	Color-Changing RGB	5			N/A
RGBW ⁷	Color-Changing RGB + 4000K White	5		80	4000K

⁵Performance calculations are based on LM-79 test of MAX output at 80 CRI and 4000K. MIN, LOW, MED and HIGH calculations are extrapolated values.

⁶Performance calculations are extrapolated estimates for mid-range CCTs. Cooler and warmer CCTs will provide lower delivered lumens (i.e. lower lm/W, higher W/lf).

⁷DMX driver recommended; controller not included.

PERFORMANCE DETAILS – ACCENT/DOWNLIGHT LAMPING

SPOT	DELIVERED LUMENS (LM)	WATTS (W)	EFFICACY (LM/W)	CRI	CCT OPTIONS	BEAM SPREAD OPTIONS (DEGREES)
DL800	800	4.8	167	80	3000K 3500K 4000K	25 40
DL1000	1000	6.1	164			
DL1500	1500	9.7	155			





SUSPENSION MOUNTING



CEILING HARDWARE

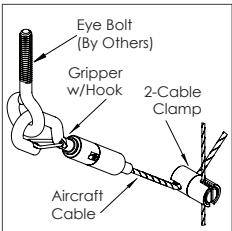
- (1) 4.5" canopy per power feed location,
- (1) bullet mount,
- (1) 8' aircraft cable
- (1) 2" canopy (for use with T-bar mounting) per suspension point



COMBO CANOPY

Choose option COMBO to specify 4.5" canopies at feed locations with power feed and aircraft cable suspension mounting.

Canopy finish is always white. Contact ALW for alternate colors.



SEISMIC BRACING

Add-on hardware includes cable gripper with hook, 2-cable clamp and specified length of aircraft cable per suspension point.



ADDITIONAL OPTIONS & SPECIFICATIONS

LED PERFORMANCE

For standard MIN-MAX lampings: $L_{70} > 54,000$ hours.
Luminous flux +/- 5%.

CONTROLROLL LENS OPTICS

The optically engineered CONTROLROLL lens provides smooth, uniform, and seamless illumination for linear lengths of 250' while dynamically controlling output and reducing glare. The CONTROLROLL lens rolls out and snaps into the housing channel for easy installation.



HOUSING

100% recyclable, extruded architectural grade 6063 aluminum with a 0.09" minimum wall thickness.

SAFETY & REGULATORY

ETL Listed (U.S. & Canada). Suitable for dry or damp locations.
Conforms to UL std. 1598, Luminaires.
Certified to CSA std. C22.2#250.0:2008 Ed. 3+G1;G2.

OPERATING TEMPERATURE

Luminaire should be installed and operated ONLY in dry or damp environments where the ambient temperature ranges from -4 °F to 122 °F (-20 °C to 50 °C). Luminaire operation in environments outside the listed temperature range voids the warranty AND may damage the product or adversely impact lamp life, lumen output and color consistency.

WEIGHT

Approximately 5.5 lbs. per linear foot (not including downlight option). Weight may vary depending on mounting, downlight, and additional options selected.

WARRANTY

Limited 5-year warranty. Details: alwusa.com/warranty

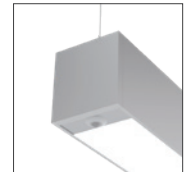
INTEGRAL DOWNLIGHTS

Optional, aimable accent downlights deliver 800-1500 lumens with a beam spread of 25° or 40°. Hex cell (HEX) and snoot (SNT) accessories coming soon.



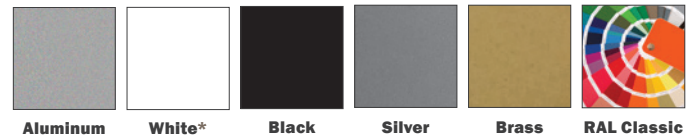
SENSOR OPTIONS

Optional, occupancy detection (OS) and/or daylight harvesting (PS) sensor available. Or upgrade to an optional Enlighted® Smart Sensor (ENLGH) for additional capabilities. Contact ALW for details.



FINISH

Standard finish is "Ultimate" aluminum — a smooth, clean, and durable finish achieved from a deep etch and two-step clear anodizing process. Other options are shown below.



**For healthcare environments, a white antimicrobial finish (WH/AM) is also available.*