



# SUPERPLANE 2.5R

SP2.5R | CONTROLROLL OPTICS | RECESSED

**STANDARD SIZES**

2.5" Aperture  
Configurable in linear shapes and straight run sections  
CONTROLROLL Optics – up to 250 feet of seamless illumination

**LAMPING**

LED - 80/90 CRI - 3000K/3500K/4000K  
Output Options: MIN/LOW/MED/HI/MAX/Tunable White/RGB/RGB+W  
Dimming down to 0%

**FINISH**

White, Black, Silver, Brass, RAL Classic Colors

**CONSTRUCTION**

Industrial Strength Extruded 6063 Aluminum





# PRODUCT SUBMITTAL WORKSHEET

## SAMPLE PRODUCT CODE

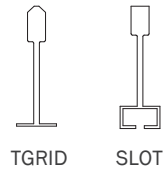
**SP2.5R/F – TRIM – S5 – MED/90/3500 – 0/10V/0% – CR/S – WH – UNV – EMB/1 – OS/1 – CP**  
 1            2            3            4            5            6            7            8            9A          9B          9C

### 1. BASE MODEL (CHOOSE ONE)

- SP2.5R/F**            **QS** 2.5" flush-mount
- SP2.5R/R**            **QS** 2.5" regressed-mount
- SP2.5R/PF**            2.5" perimeter, flush-mount
- SP2.5R/PR**            2.5" perimeter, regressed-mount

### 2. CEILING TYPE (CHOOSE ONE)

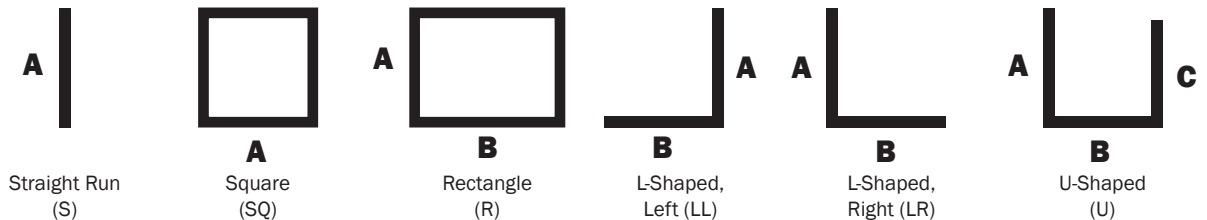
- TRIM**            **QS** Trimmed for install into wood, metal, drywall, etc.
- MUD**            **QS** Trimless ONLY for mud-in installation into drywall
- RHF**            **QS** Trimless with hidden flange for install into wood, metal, etc.
- TGRID/9/16**        **QS** 9/16" T-Grid
- TGRID/15/16**      **QS** 15/16" T-Grid
- SLOT**            **QS** 9/16" Slot
- ATZ/TGRID/9/16**    **QS** Armstrong® Techzone 9/16" T-Grid (fits 6" Techzone)
- ATZ/TGRID/15/16** **QS** Armstrong® Techzone 15/16" T-Grid (fits 6" Techzone)
- ATZ/SLOT**        **QS** Armstrong® Techzone 9/16" Slot (fits 6" Techzone)



### 3. SHAPE/LENGTH (CHOOSE ONE & ENTER LENGTH IN FEET – FOR CUSTOM ANGLES, CONTACT ALW)

- S\_\_**            **QS** Individual/Straight Run Section (enter length, ex. S5)
- SQ\_\_**        **QS** Square Configuration (enter side length A, ex: SQ5)
- R\_ \_**        **QS** Rectangular Configuration (enter side lengths A and B, ex. R5-7)
- LL\_ \_**       **QS** L-Shaped, Left Configuration (enter side lengths A and B, ex. LL5-7)
- LR\_ \_**       **QS** L-Shaped, Right Configuration (enter side lengths A and B, ex. LR5-7)
- U\_ \_ \_**      **QS** U-Shaped Configuration (enter side lengths A, B, and C, ex. U5-7-4)

\*Lengths greater than 8' consist of multiple individual housing sections joined together, yet feature ONE continuous CONTROLROLL lens for the entire straight/linear run.  
 \*Lengths are nominal and may vary based on lamping and other specification selections. Consult ALW when exact lengths are required.



**QS = QuickShip-qualifying option. For the entire luminaire configuration to be QuickShip-eligible, ALL options specified in the configuration must be ones notated with "QS". NOTE: Maximum 800 ft. of QuickShip-eligible product per order.**



#### 4. LED LAMPING – PRIMARY (ONE UNDER A, B, & C, AS NECESSARY)

##### A. OUTPUT

- QS MIN**
- QS LOW**
- QS MED**
- QS HI**
- QS MAX**
- TUNE**
- RGB**
- RGBW** (80CRI, 4000K White)

##### B. CRI<sup>1</sup>

- QS 80**
- 90**

##### C. CCT<sup>1</sup>

- QS 3000K**
- QS 3500K**
- QS 4000K**

DELIVERED LUMENS (LM)	WATTS (W)	EFFICACY (LM/W)
See page 7 for complete details.		Up to 110 lm/W

<sup>1</sup>CRI/CCT not applicable for TUNE, RGB, or RGBW lamping.

#### 5. DRIVER – PRIMARY (CHOOSE ONE)

- 0/10V/S** **QS** 0-10V dimming down to 5% (Standard Dimming – Down to 10% for TUNE lamping)
- 0/10V/1%** **QS** 0-10V dimming down to 1%
- 0/10V/0%** 0-10V premium dimming down to 0%
- DALI** DALI flicker-free dimming down to 0%
- DMX** DMX flicker-free dimming down to 0% (Recommended for RGB and RGBW lamping)
- ECOSYS1** **QS** Lutron Hi-lume 1% EcoSystem, constant current or constant voltage
- ECOSYS5** Lutron 5-Series 5% EcoSystem, constant current (Not compatible with RGB, RGBW and TUNE lamping)


<sup>\*</sup>Driver specifications provided upon request to assist with control system integration.

#### 6. LENS – PRIMARY

- CR/S** **QS** CONTROLROLL lens with direct, symmetrical distribution



#### 7. FINISH (CHOOSE ONE)

- BK** Black Powder Coat
- BRS** Brass Metallic Powder Coat
- SV** Silver Powder Coat
- WH** **QS** White Powder Coat
- WH/AM**  White Antimicrobial Powder Coat (for healthcare environments)
- RAL\_\_\_\_\_** Specify RAL Classic Color code (ex: RAL3003) [ralcolorchart.com/ral-classic](http://ralcolorchart.com/ral-classic)

#### 8. VOLTAGE (CHOOSE ONE)

- UNV** **QS** Universal Voltage (120VAC-277VAC)
- 347** 347 Volt (Driver options may be limited)

**QS** = QuickShip-qualifying option. For the entire luminaire configuration to be QuickShip-eligible, ALL options specified in the configuration must be ones notated with "QS". NOTE: Maximum 800 ft. of QuickShip-eligible product per order.

SS100918-A.0



## 9. ADDITIONAL OPTIONS (OPTIONAL – CHOOSE ONE UNDER A, B, & C, IF DESIRED)

### A. EMERGENCY OPTIONS

- EMB/\_\_\_<sup>2</sup>**      **QS** Emergency Battery (*indicate quantity – each battery powers 4ft with a delivered lumen output of 1492lm*)
- EMC/\_\_\_<sup>2</sup>**      **QS** Emergency Circuit (*indicate quantity of 4ft sections to be illuminated by emergency circuit*)

<sup>2</sup>For fixtures under 4ft in length, entire fixture will be illuminated with a proportional lumen output. Consult ALW for more details.

### B. SENSOR OPTIONS (COMPATIBLE ONLY WITH 0-10V DRIVERS – DEFAULT QUANTITY IS 1 SENSOR PER 8FT, INDICATE ALTERNATE QUANTITY IF DESIRED)

- ENLGT/\_\_\_<sup>3</sup>**      **QS** Enlighted® remote smart sensor (*occupancy, daylight, networking, and more*)
- ENLGT/INT/\_\_\_<sup>3</sup>**      **QS** Enlighted® integral smart sensor (*occupancy, daylight, networking, and more*)
- OS/\_\_\_**              0-10V remote occupancy sensor
- PH/\_\_\_**              0-10V remote photocell/daylight sensor

<sup>3</sup>Enlighted® Gateway and Energy Manager (by others) plus programming required. Learn more at [enlightedinc.com](http://enlightedinc.com).

### C. ADDITIONAL OPTIONS

- CP**                      Chicago Plenum Certification. (*Chicago Plenum available in single sections up to 8ft. in length. Not available in continuous runs.*)

**QS** = QuickShip-qualifying option. For the entire luminaire configuration to be QuickShip-eligible, ALL options specified in the configuration must be ones notated with "QS". NOTE: Maximum 800 ft. of QuickShip-eligible product per order.

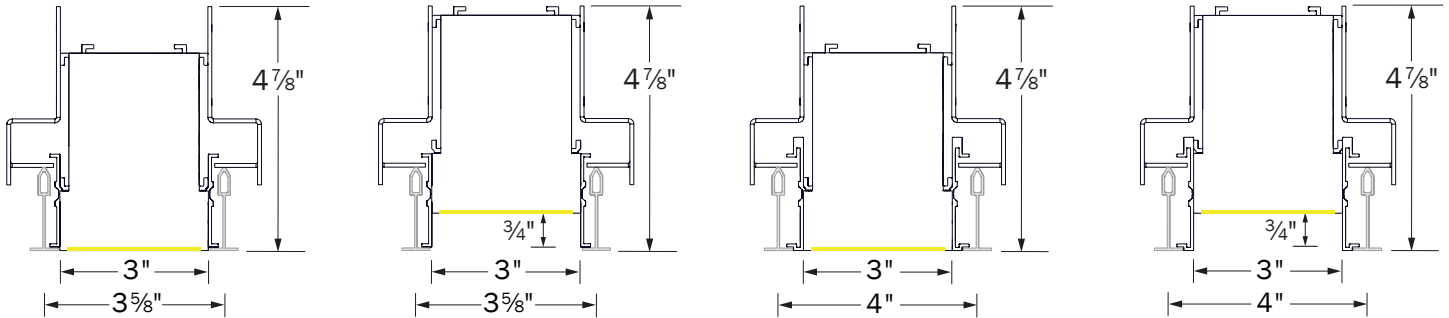
SS100918-A.0



## MECHANICAL DIAGRAMS

### T-GRID

Add 3" to height measurements provided to determine total plenum clearance required with installed mounting hardware.

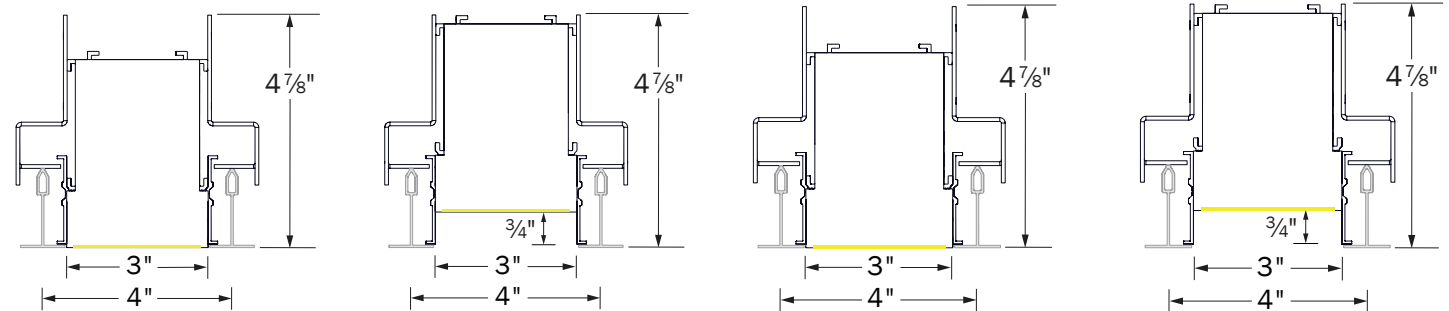


**SP2.5R**  
TGRID/9/16

**SP2.5R/R**  
TGRID/9/16

**SP2.5R**  
ATZ/TGRID/9/16

**SP2.5R/R**  
ATZ/TGRID/9/16



**SP2.5R**  
TGRID/15/16

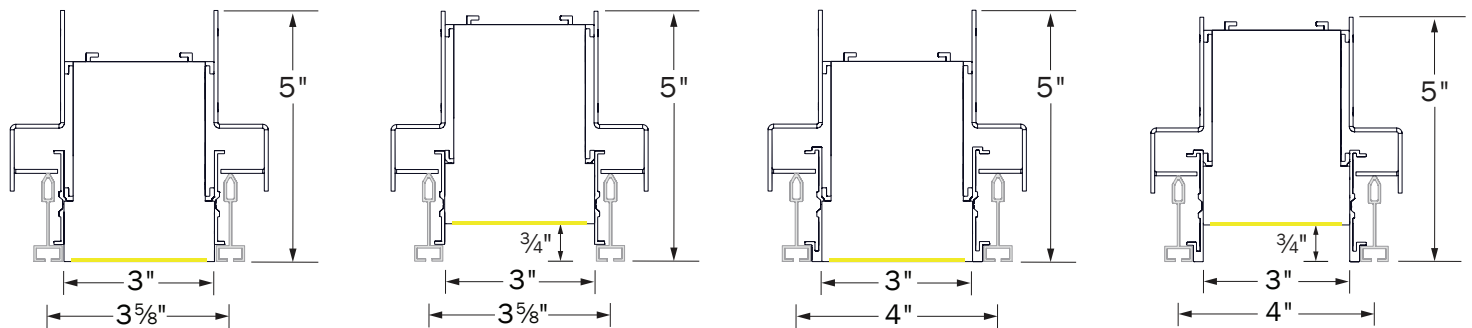
**SP2.5R/R**  
TGRID/15/16

**SP2.5R**  
ATZ/TGRID/15/16

**SP2.5R/R**  
ATZ/TGRID/15/16

### SLOT

Add 3" to height measurements provided to determine total plenum clearance required with installed mounting hardware.



**SP2.5R**  
SLOT

**SP2.5R/R**  
SLOT

**SP2.5R**  
ATZ/SLOT

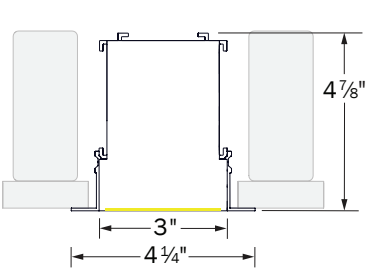
**SP2.5R/R**  
ATZ/SLOT

SS100918-A.0

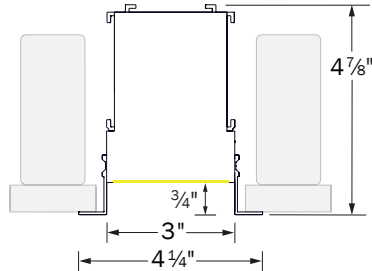


## MECHANICAL DIAGRAMS (CONT.)

### TRIM

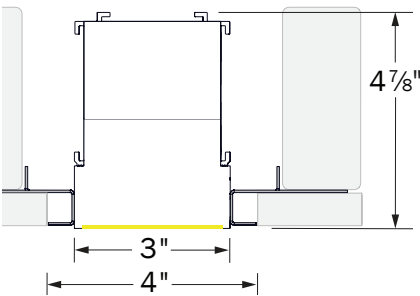


**SP2.5R**  
TRIM

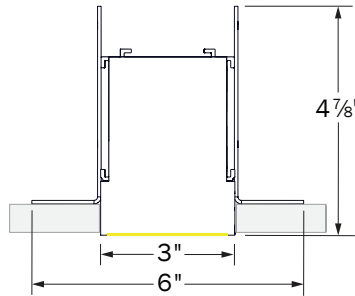


**SP2.5R/R**  
TRIM

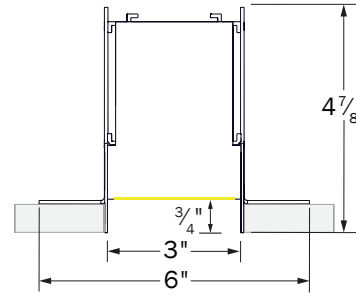
### TRIMLESS



**SP2.5R**  
MUD

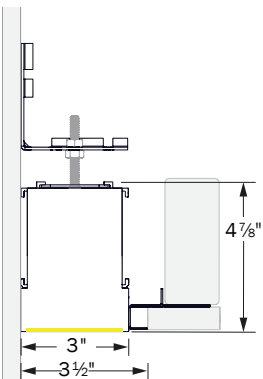


**SP2.5R**  
RHF  
RECESSED HIDDEN FLANGE

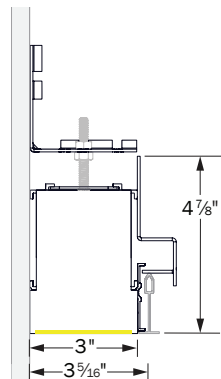


**SP2.5R/R**  
RHF  
RECESSED HIDDEN FLANGE

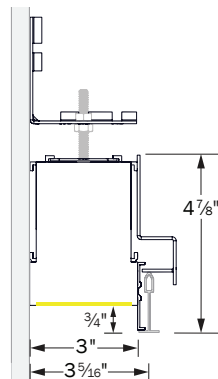
### PERIMETER



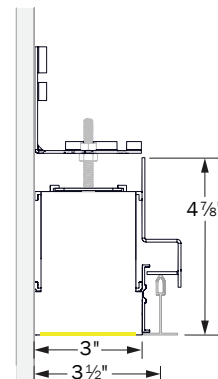
**SP2.5R/PF**  
MUD



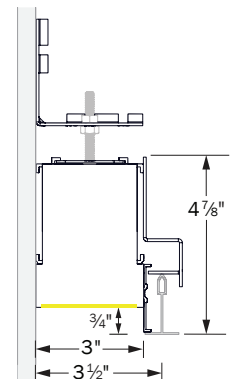
**SP2.5R/PF**  
TGRID/9/16



**SP2.5R/PR**  
TGRID/9/16



**SP2.5R/PF**  
TGRID/15/16



**SP2.5R/PR**  
TGRID/15/16

SS100918-A.0



## PERFORMANCE DETAILS – PRIMARY LAMPING

OUTPUT	DELIVERED LUMENS (LM/FT)	WATTS (W/FT)	EFFICACY (LM/W)	CRI OPTIONS	CCT OPTIONS
<b>MIN</b> <sup>4</sup>	300	3.4	86	80 90	3000K 3500K 4000K
<b>LOW</b> <sup>4</sup>	500	4.9	102		
<b>MED</b> <sup>4</sup>	700	6.4	110		
<b>HI</b> <sup>4</sup>	900	8.5	106		
<b>MAX</b> <sup>4</sup>	1200	11.9	101		
<b>TUNE</b> <sup>5,6</sup>	Tunable White	11.2	N/A	N/A	2700K-5700K
<b>RGB</b> <sup>5</sup>	Color-Changing RGB	5		N/A	N/A
<b>RGBW</b> <sup>6</sup>	Color-Changing RGB + 4000K White	5		80	4000K

<sup>4</sup>Performance calculations are based on LM-79 test of MAX output at 80 CRI and 4000K. MIN, LOW, MED and HIGH calculations are extrapolated values.

<sup>5</sup>Performance calculations are extrapolated estimates for mid-range CCTs. Cooler and warmer CCTs will provide lower delivered lumens (i.e. lower lm/W, higher W/lf).

<sup>6</sup>DMX driver recommended; controller not included.



## ADDITIONAL OPTIONS & SPECIFICATIONS

### LED PERFORMANCE

For standard MIN-MAX lampings:  $L_{70} > 54,000$  hours.  
Luminous flux +/- 5%. Up to 113 lm/W.

### CONTROLROLL LENS OPTICS

The optically engineered CONTROLROLL lens provides smooth, uniform, and seamless illumination for linear lengths of 250' while dynamically controlling output and reducing glare. The CONTROLROLL lens rolls out and snaps into the housing channel for easy installation.



### HOUSING

100% recyclable, extruded architectural grade 6063 aluminum with a 0.09" minimum wall thickness.

### SAFETY & REGULATORY

ETL Listed (U.S. & Canada). Suitable for dry or damp locations.  
Conforms to UL std. 1598, Luminaires.  
Certified to CSA std. C22.2#250.0:2008 Ed. 3+G1;G2.



### OPERATING TEMPERATURE

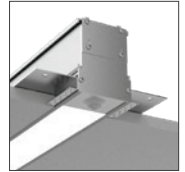
Luminaire should be installed and operated ONLY in dry or damp environments where the ambient temperature ranges from -4 °F to 122 °F (-20 °C to 50 °C). Luminaire operation in environments outside the listed temperature range voids the warranty AND may damage the product or adversely impact lamp life, lumen output and color consistency.

### WARRANTY

Limited 5-year warranty. Details: [alwusa.com/warranty](http://alwusa.com/warranty)

### INTEGRAL SENSOR

Optional, occupancy detection (OS) and/or daylight harvesting (PS) sensor available. Or upgrade to an optional Enlighted® Smart Sensor (ENLGHT) for additional capabilities. Contact ALW for details.



### FINISH



White\*



Black



Silver



Brass



RAL Classic

\*For healthcare environments, a white antimicrobial finish (WH/AM) is also available.