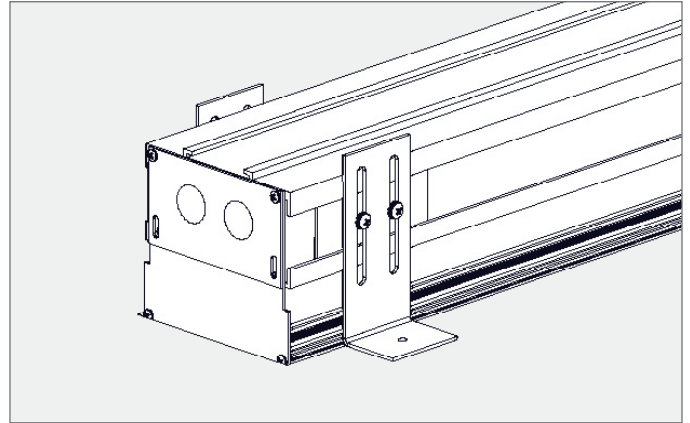
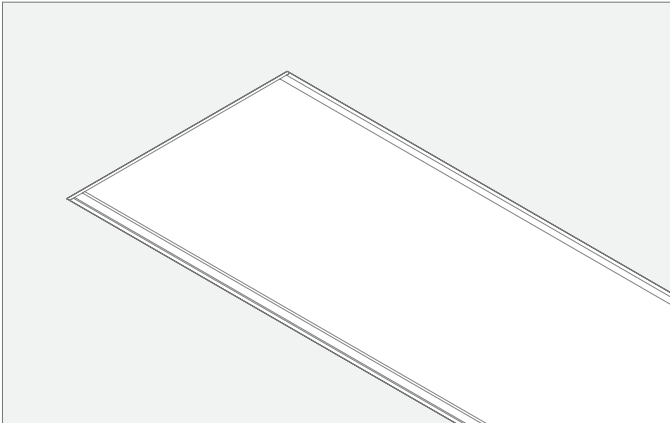
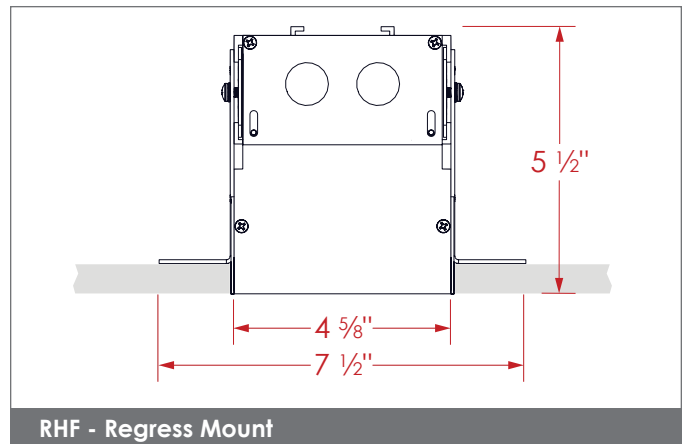
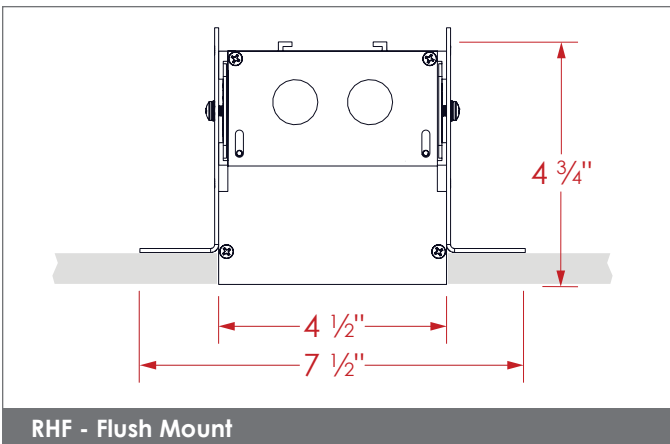


For complete installation instructions including wiring connections, wiring diagrams, joining sections, ControlRoll™ lens installation, and troubleshooting, refer to SP Installation Instructions for Trim & Trimless Mud-In.

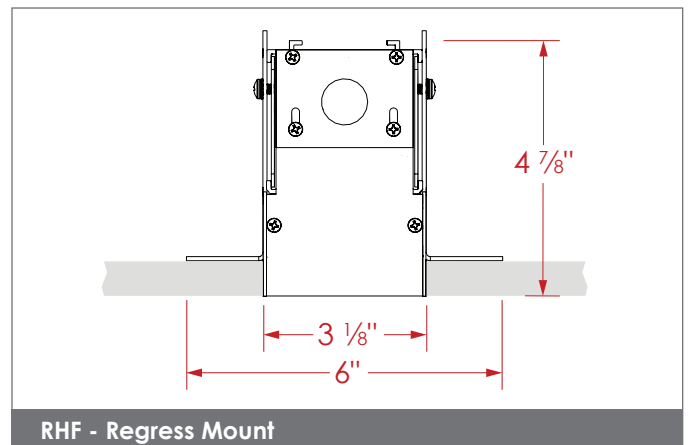
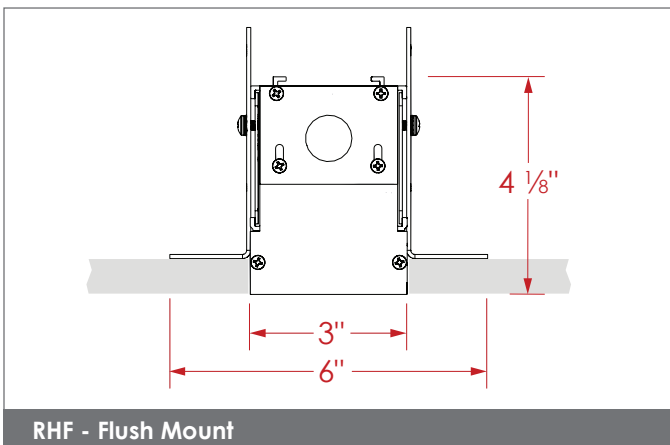
Luminaire Overview



SP4 RHF Dimensions



SP2.5 RHF Dimensions



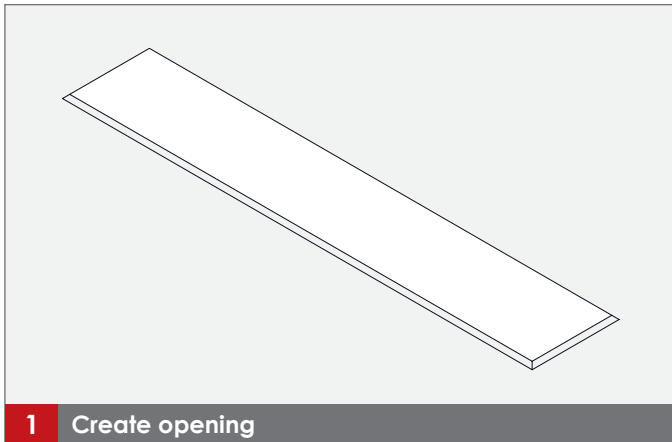
Installation: Recessed Hidden Flange

Tools Required

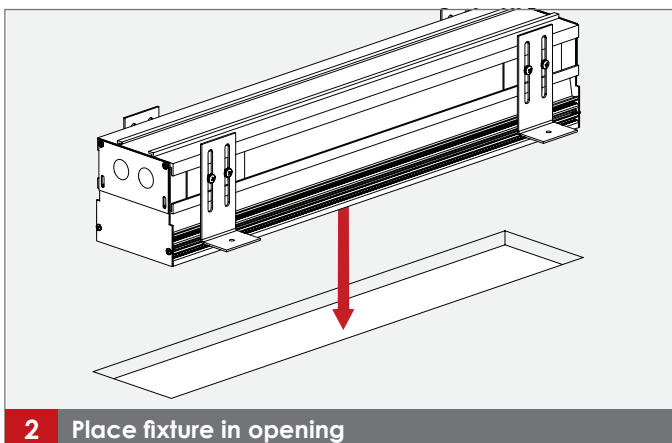
- ▣ See installation instructions for trim & trimless mud-in

Parts (by others)

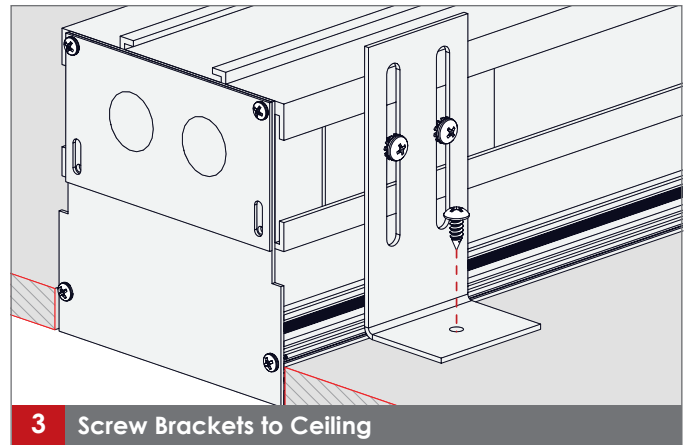
- ▣ Screws for mounting to ceiling panel (screws must be appropriate for panel material and thickness)



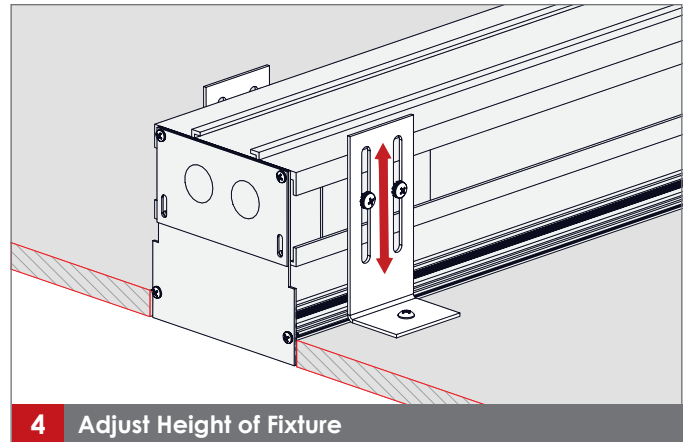
Create opening of specified length and width for fixture. Flush mount SP4 fixtures require 4.5" opening; regress fixtures require 4.625" opening. Flush mount SP2.5 fixtures require 3" opening; regress fixtures require 3.125" opening.



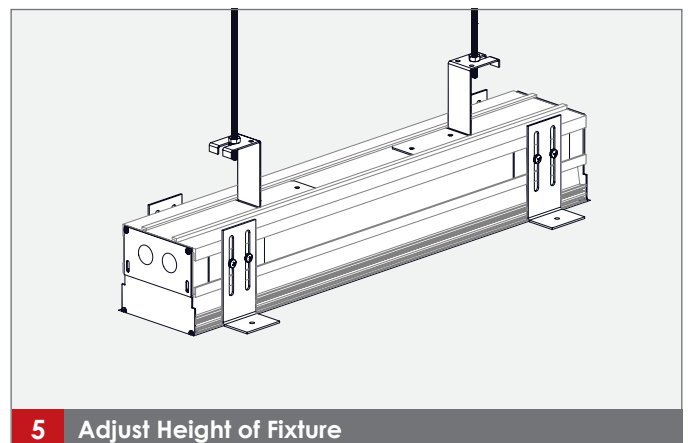
Lower fixture into ceiling opening.



Screw mounting brackets to ceiling material using screws appropriate for material type and thickness (by others). If screwing to material is not desired, fixture must be installed with 1/4"-20 rod as shown in step 5.



Adjust height of fixture until surface is flush with ceiling plane. Tighten screws to secure fixture.



If fixture cannot be screwed to ceiling material, install fixture using 1/4"-20 rod mounted to structure. See installation instructions for trim and trimless mud-in for further information.