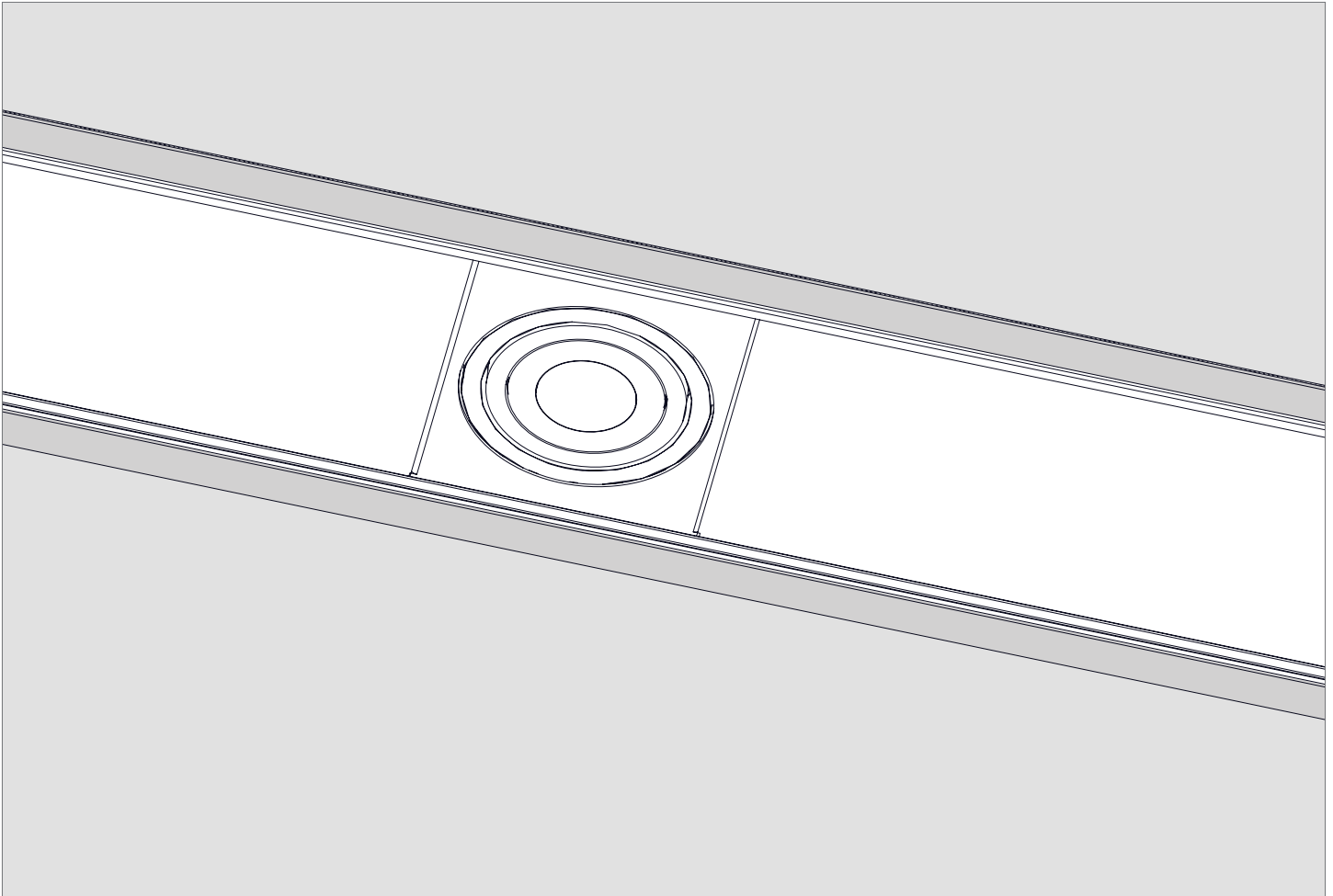


This guide is applicable for accent downlights in all SP4 fixture variants. For complete individual fixture installation including wiring connections, wiring diagrams, joining sections, ControlRoll™ lens installation, and troubleshooting, refer to the respective SP4 Installation Instructions for TGrid, Trim & Mud-In, Suspended, Wall mount or Ceiling Mount.

Overview



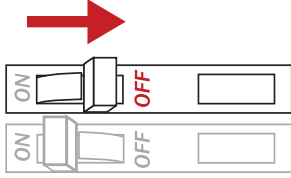
Tools Required

- 1/16" Hex drive

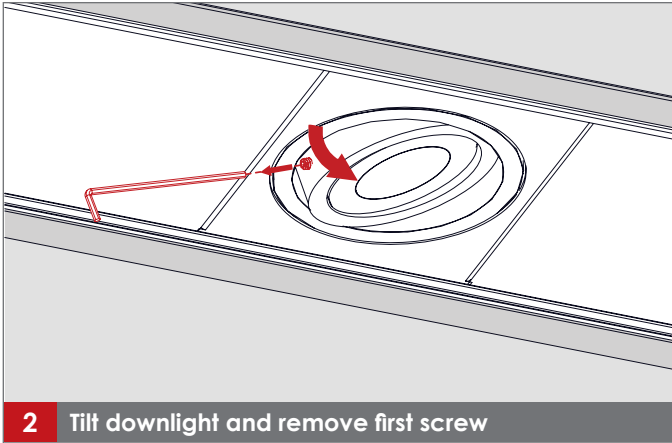
Removal and Service of Downlight



SHOCK HAZARD! May result in serious injury or death. Turn power OFF at circuit breaker prior to installation or servicing.

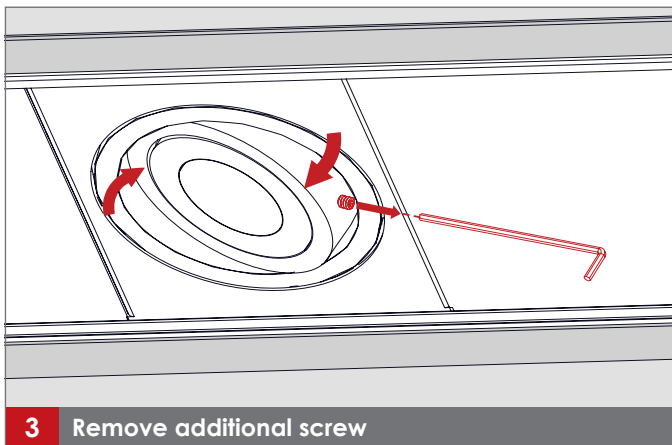


1 Turn power OFF at circuit breaker



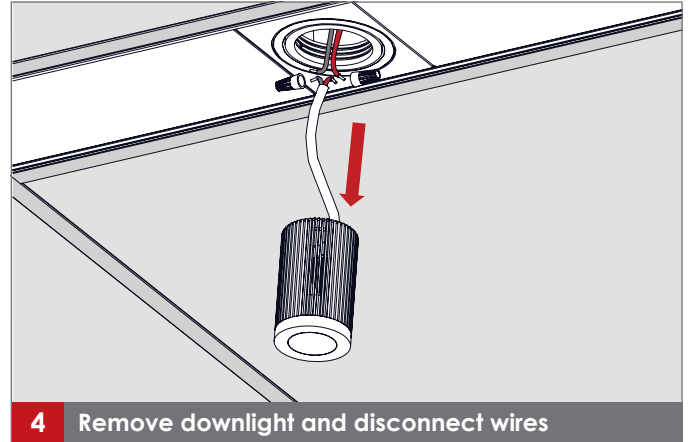
2 Tilt downlight and remove first screw

Tilt downlight to one side and unscrew the set screw using a 1/16" allen key.



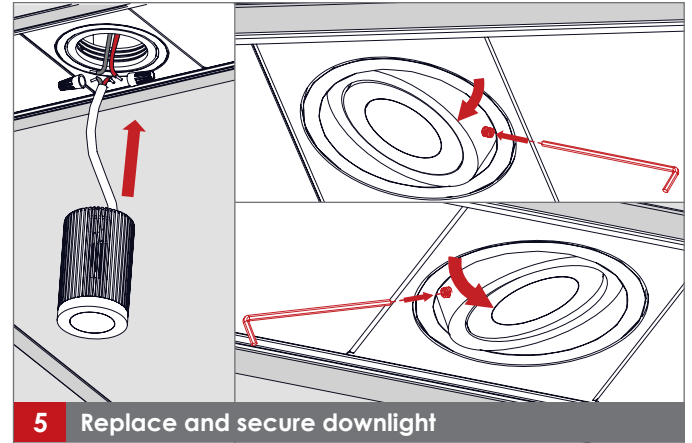
3 Remove additional screw

Tilt downlight to the opposing side and remove the other set screw.



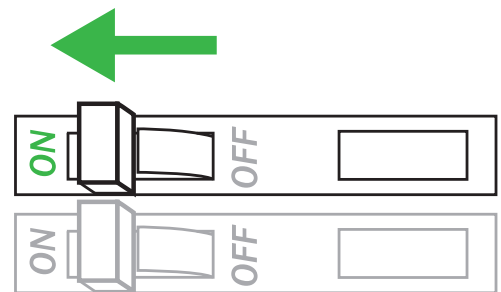
4 Remove downlight and disconnect wires

After removing both screws, the downlight can be taken out from below. Disconnect the wires before commencing any service/replacement.



5 Replace and secure downlight

Service/replace the downlight. Install the downlight back in the housing and secure with set screws by following the previous three steps in reverse order.



6 Turn power on

Turn power back on at the circuit breaker and check if the downlight is working as expected.