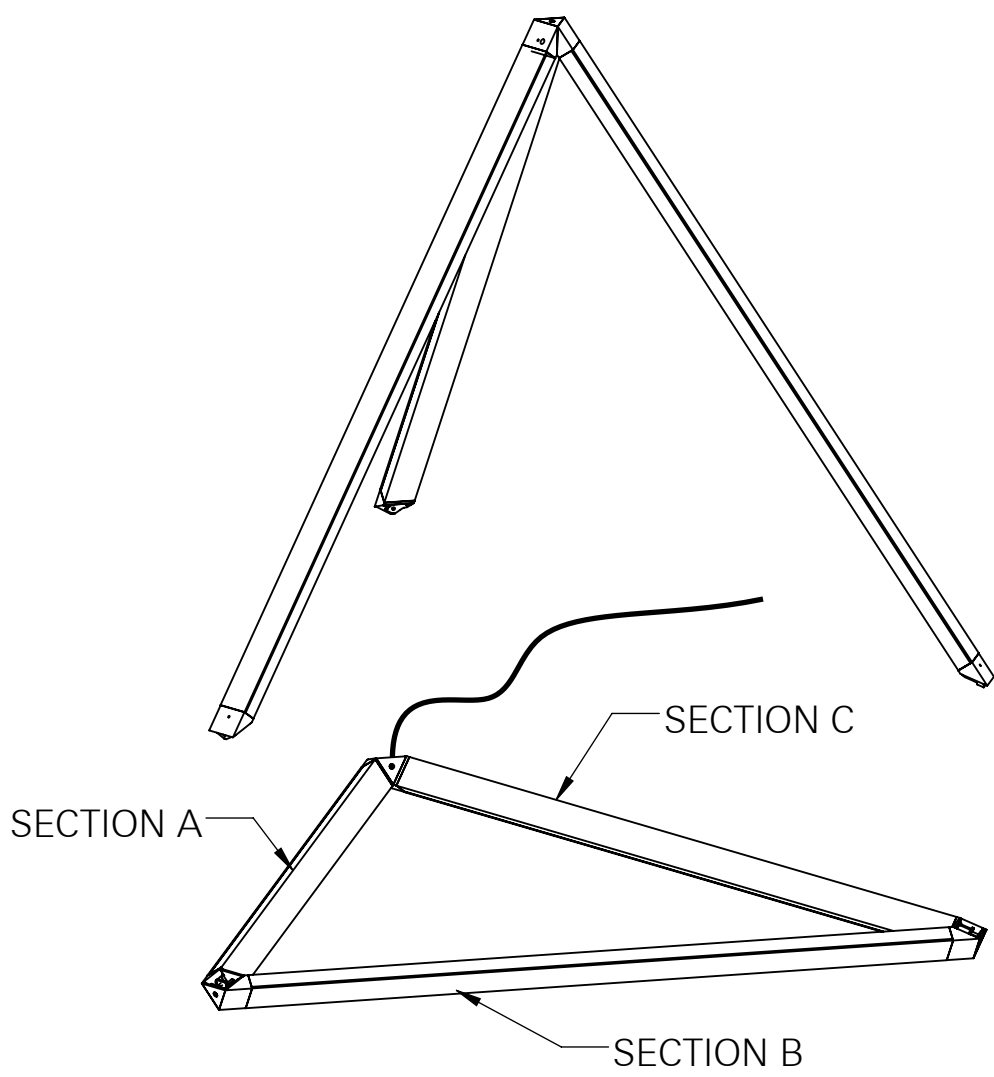


STEP 1:

REFERENCE WIRING DIAGRAM AND
FIRST ASSEMBLE SECTIONS A, B, AND C

STEP 2:

LOCATE HUB PREATTACHED TO SECTION
REMOVE #8-32 SCREW (G) AND PLATE (F)
REMOVE (2x) #6-32 SCREWS (E)



STEP 3:

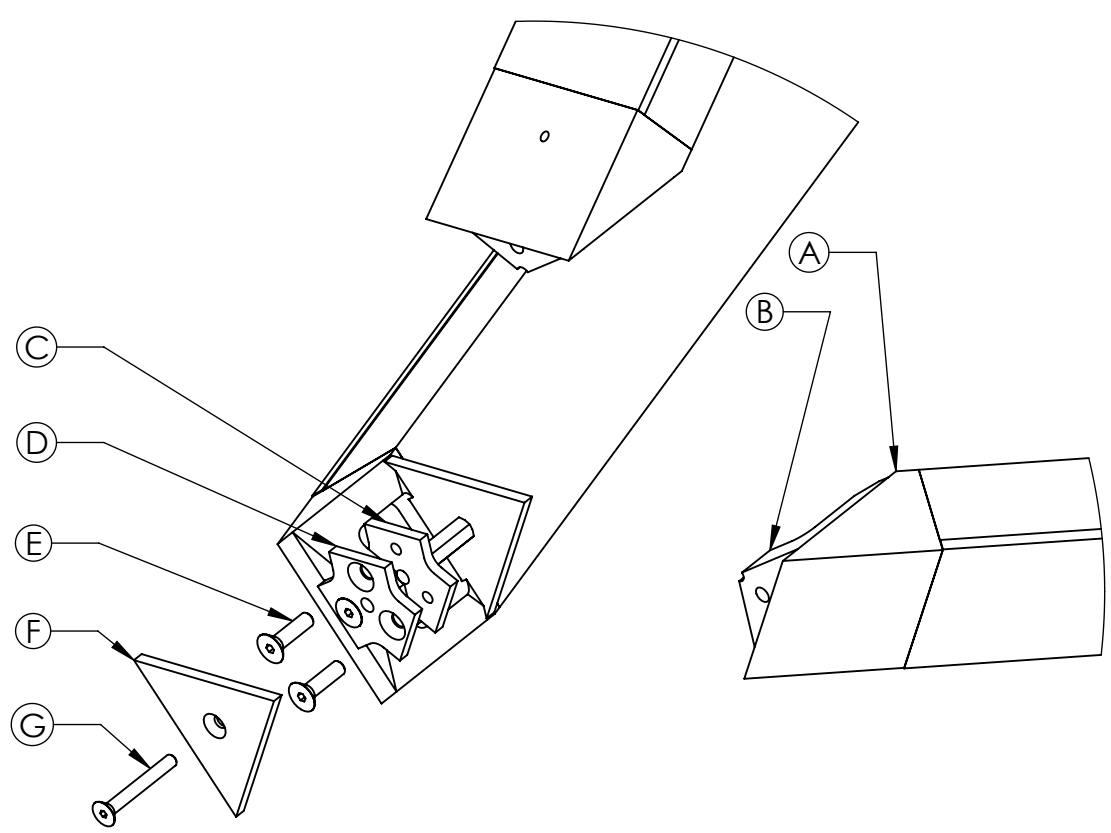
ON CONNECTING HUB (A) SLIDE
NOTCH (B) BETWEEN PLATES (C) & (D)

STEP 4:

USE #6-32 SCREW (E) TO SECURE HUB

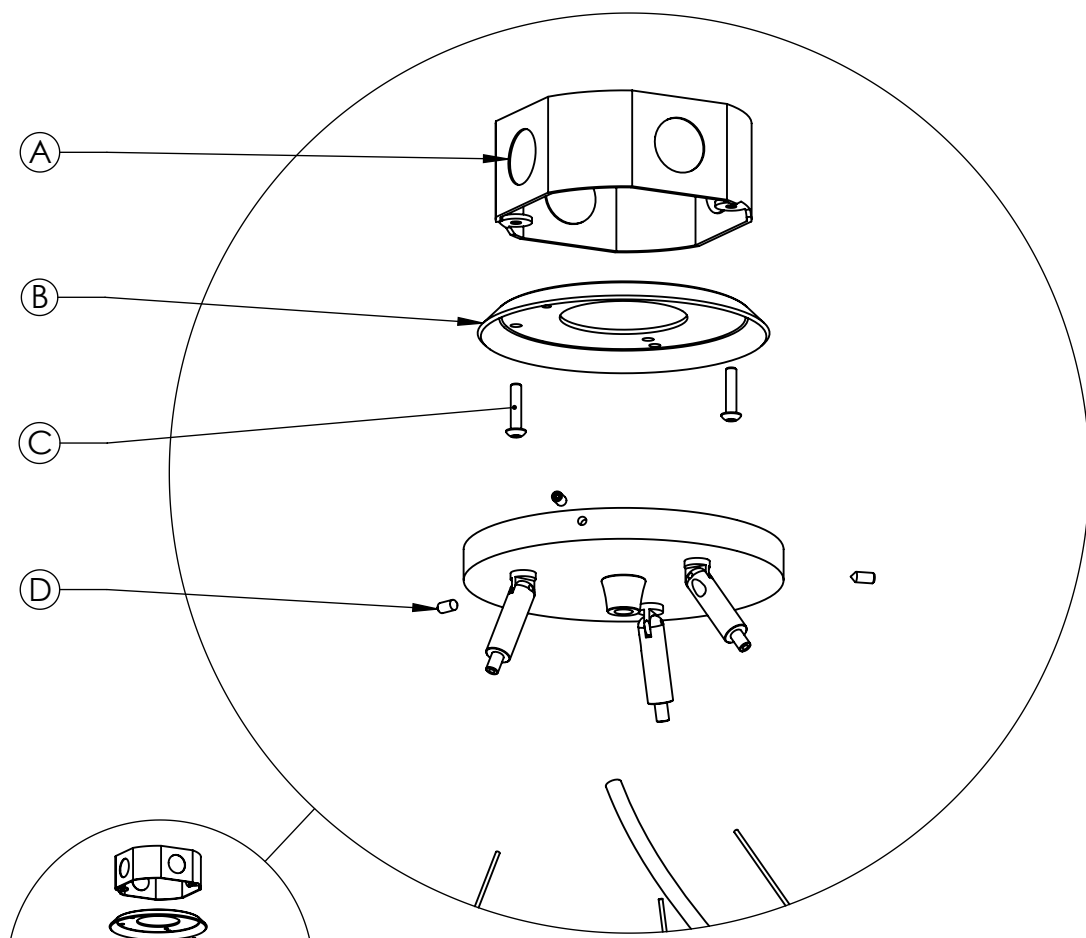
STEP 5:

REPEAT STEPS 3 & 4 FOR SECOND HUB



STEP 6:

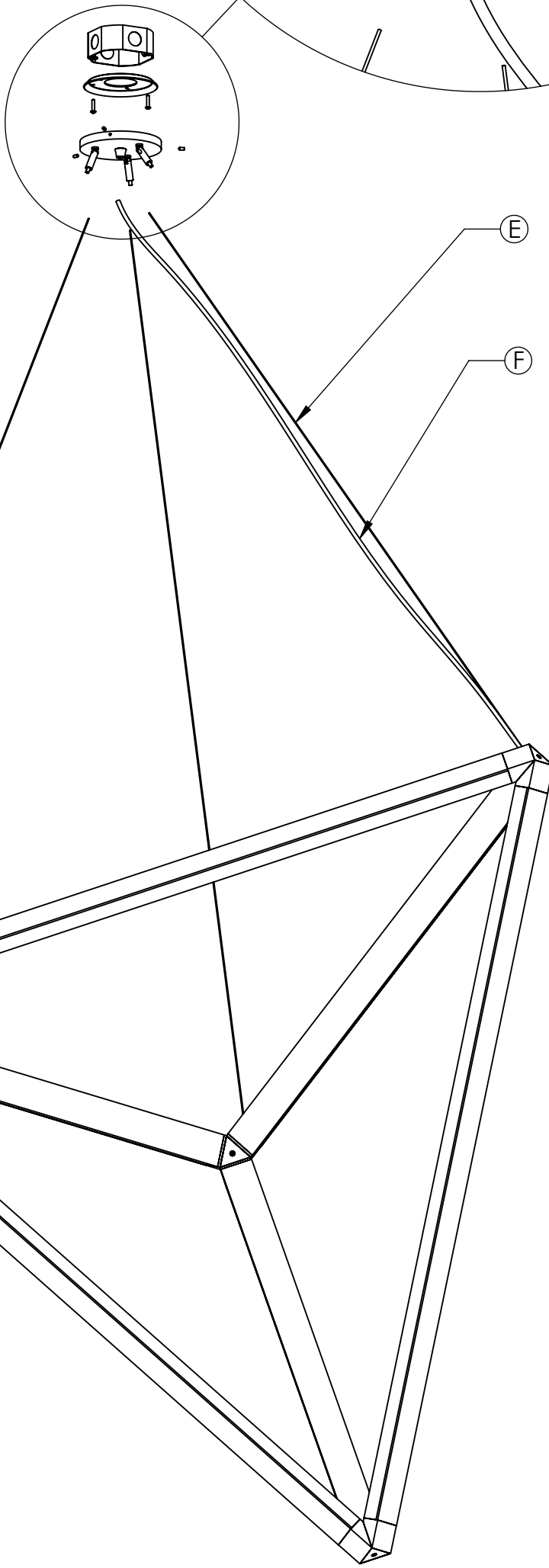
USE #8-32 SCREW (G) TO SECURE
PLATE (F) TO HUB



STEP 1:

INSTALL LED DRIVER IN
 REMOTE LOCATION
 *REMOTE DISTANCE NOT
 TO EXCEED 50FT

RUN WIRING FROM
 DRIVER TO J-BOX (A)
 USING AT LEAST 12 AWG
 WIRING (BY E.C.)



STEP 2:

INSTALL (3x) AIRCRAFT
 CABLES (E) AND (1x) POWER
 CABLE (F) FROM FIXTURE
 THROUGH (3x) GRIPLOCK
 GRIPPERS AND (1x) STRAIN
 RELIEF INTO CANOPY,
 ADJUST LENGTH AS
 NEEDED

STEP 3:

INSTALL WEDGE PLATE (B)
 OVER J-BOX USING (2x) #8-
 32 SCREWS (C)

STEP 4:

CONNECT WIRING (BY
 E.C.)

INSTALL FIXTURE CANOPY
 OVER WEDGE PLATE AND
 SECURE WITH (3x) #8-32
 SET SCREWS (D)
 (PROVIDED BY NDHT)