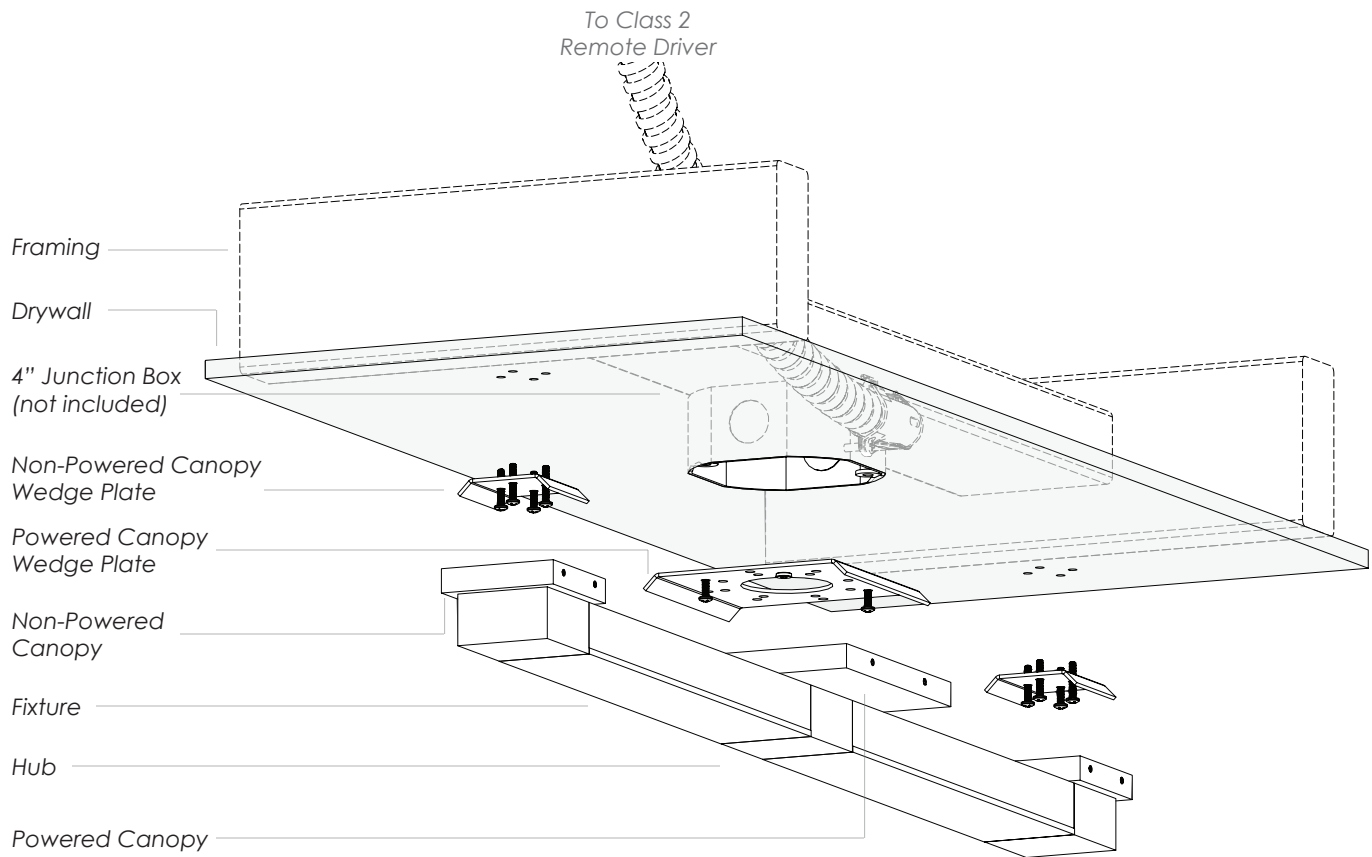


Overview



Parts (by others)

- ▣ 4" Junction Box
- ▣ Wood Screws, #10, 1.5" long

Tools Required

- ▣ Drill
- ▣ #2 phillips bit
- ▣ Wire strippers

Quick Specs

Input Voltage / Frequency:
See product label

Rated Power:
See product drawing

Ambient Temperature:
-4° – 120°F (-20° – 50°C)

Environment:
Dry and damp locations

Safety & Warnings!

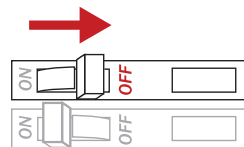
1. Read all instructions.
2. Install in accordance with national and local electrical code regulations.
3. This product is intended to be installed and serviced by a qualified, licensed electrician.
4. Only install with a compatible Class 2 LED Constant Current Driver. This product has not been evaluated for use when connected to an LED driver that does not comply with Class 2 voltage and energy limited supplies.
5. Do not install in wet locations. For dry and damp use only.
6. Turn off electrical power before installing or servicing fixture in any way.
7. To reduce the risk of fire and overheating, make sure all connections are tight.

Attention!

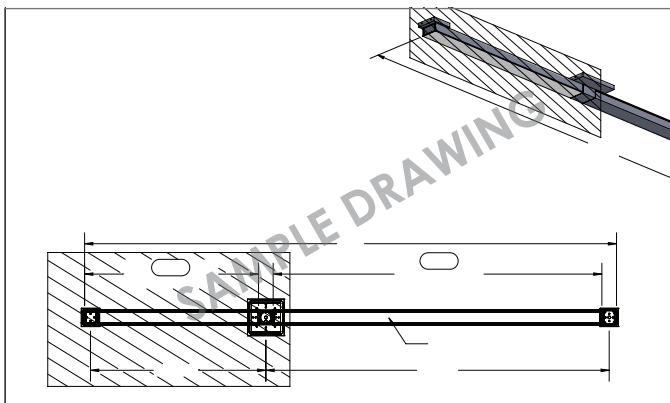
1. Lisez toutes les instructions.
2. Installez conformément à la réglementation du code électrique national et local.
3. Ce produit est destiné à être installé et entretenu par un électricien agréé qualifié.
4. Installez uniquement avec un pilote de courant constant à DEL de classe 2 compatible. Ce produit n'a pas été évalué pour une utilisation lorsqu'il est connecté à un pilote de LED qui n'est pas conforme aux alimentations de tension et d'énergie limitée de classe 2.
5. Ne pas installer à l'extérieur ou dans des endroits humides. Pour une utilisation en intérieur et sec seulement.
6. Coupez l'alimentation électrique avant de évoluer le système d'éclairage en aucune façon.
7. Pour réduire le risque d'incendie et de surchauffe, assurez-vous que toutes les connexions sont bien serrées.



SHOCK HAZARD! May result in serious injury or death. Turn power OFF at circuit breaker prior to installation or servicing.

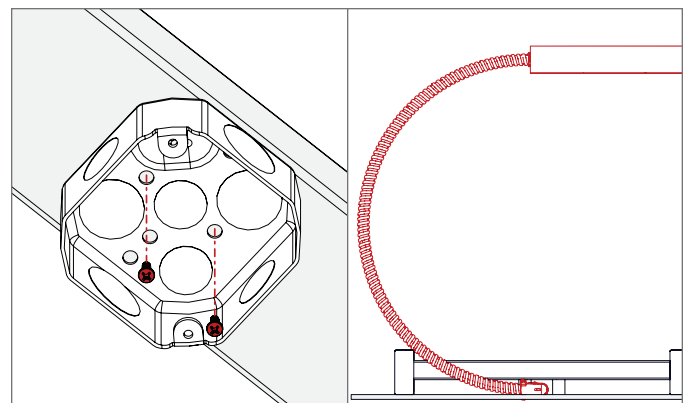


Installation: Ceiling/Surface Mount



1 See Final/Record Drawings for Mounting Locations

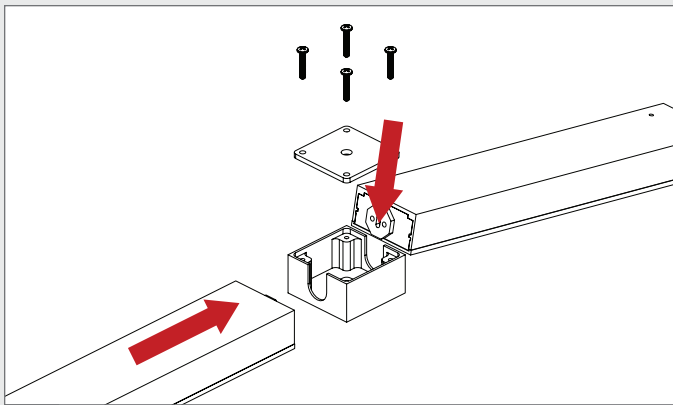
See final/record drawings for mounting locations. Install framing with consideration for alignment of powered and non-powered mounting locations.



2 Install Canopy & Remote Driver Junction Box(es)

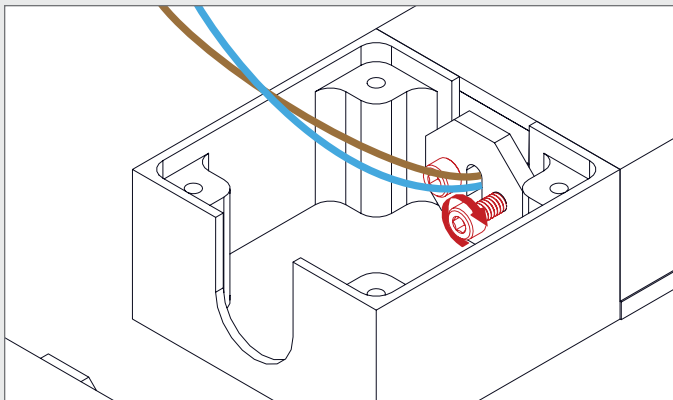
Install Class 2 Remote Driver J-Box(es) in an accessible/serviceable location. Run low voltage wire from Remote Driver J-Box to 4" Canopy J-Box (see final/record drawing for mounting) in accordance with local/state/federal regulations. Connect remote driver to building power.

Installation: Ceiling/Surface Mount (Cont.)



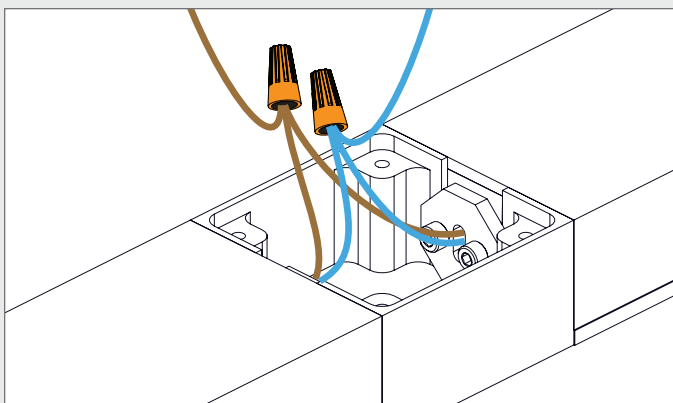
3A Assemble Fixture on Ground

Remove Cover Plate from Hub and assemble individual sections, as shown, prior to mounting. See markings on fixture or final/record drawing for proper orientation.



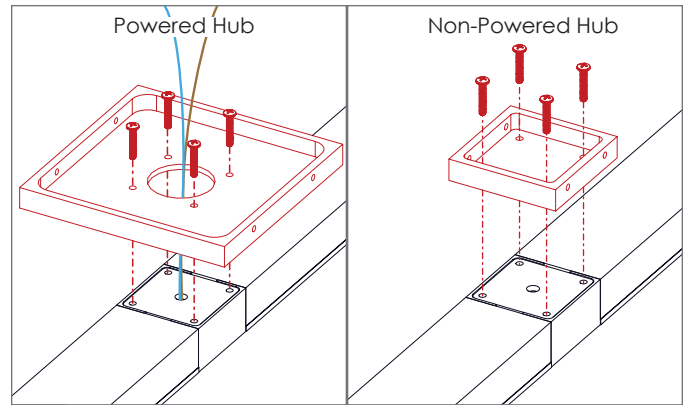
3B Tighten Set Screws to Secure Sections

Tighten Set Screws to secure sections in place.



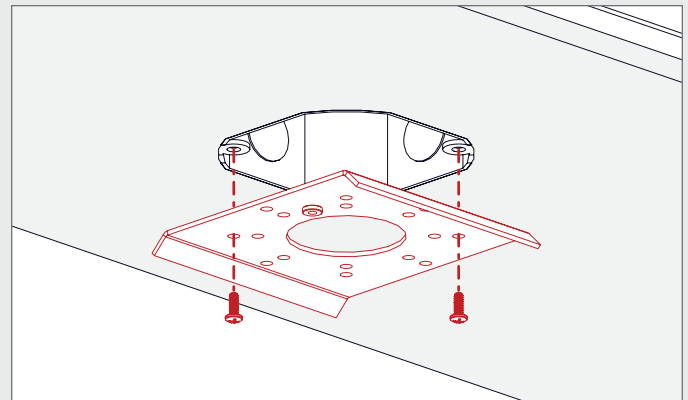
3B Attach Wiring Between Sections

If necessary, make wiring connections between sections using wire nuts or lever nuts.



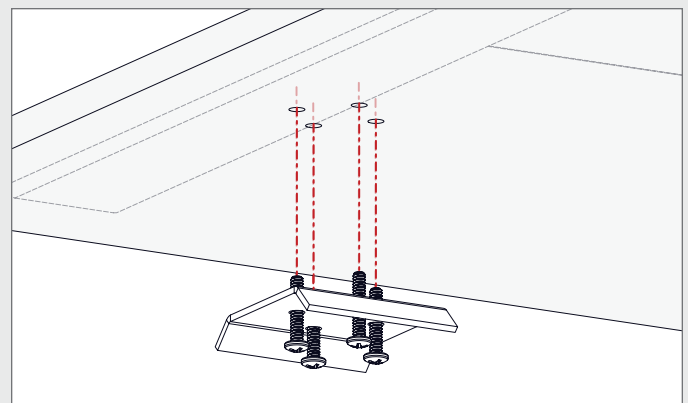
4 Attach Canopy

Install Cover Plate and Canopy to each mounting location (refer to final/record drawing). Power Feed Canopies (left) are larger than Non-Powered Canopies (right).



5A Install Wedge Plates (Power Drop Locations)

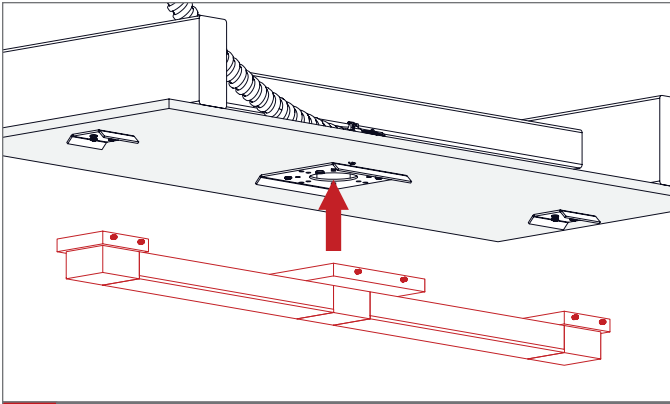
Install Powered Canopy Wedge Plates to 4" Canopy J-Box, as shown. **NOTE: Ensure slanted edges of wedge plate match with orientation of set screws on corresponding Canopy.**



5B Install Wedge Plates (Non-Powered Locations)

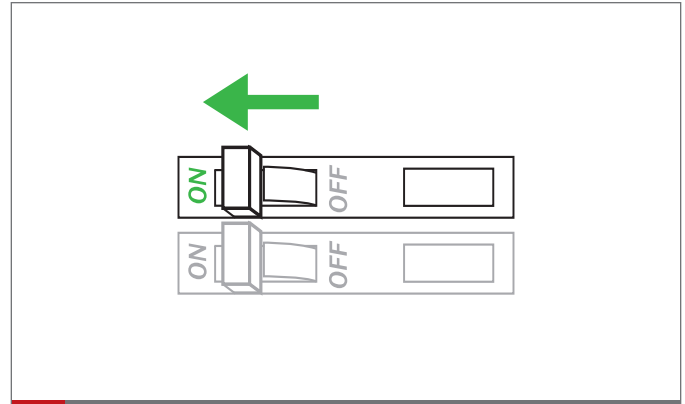
Refer final/record drawing to mount Non-Powered Canopy Wedge Plates directly to framing, as shown. **NOTE: Ensure slanted edges of wedge plate match with orientation of set screws on corresponding Canopy.**

Installation: Ceiling/Surface Mount (Cont.)



6 Raise Fixture to Ceiling

Carefully raise assembled fixture to ceiling.



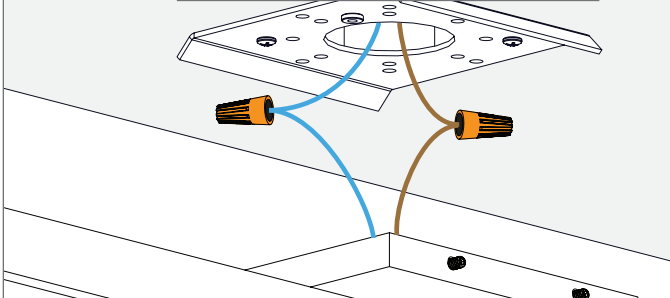
9 Turn Power On

Turn breaker ON and check if fixture operates as intended and that there are no loose connections.



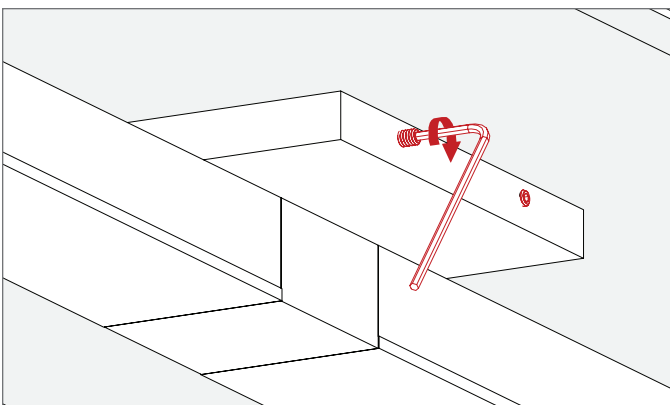
SHOCK HAZARD! May result in serious injury or death. Turn power OFF at circuit breaker prior to installation or servicing.

To Class 2 LED Driver (not shown)



7 Connect Wiring

Connect wiring from light fixture to Class 2 LED remote driver.



8 Tighten Canopy Set Screws

Tighten set screws at each Canopy.