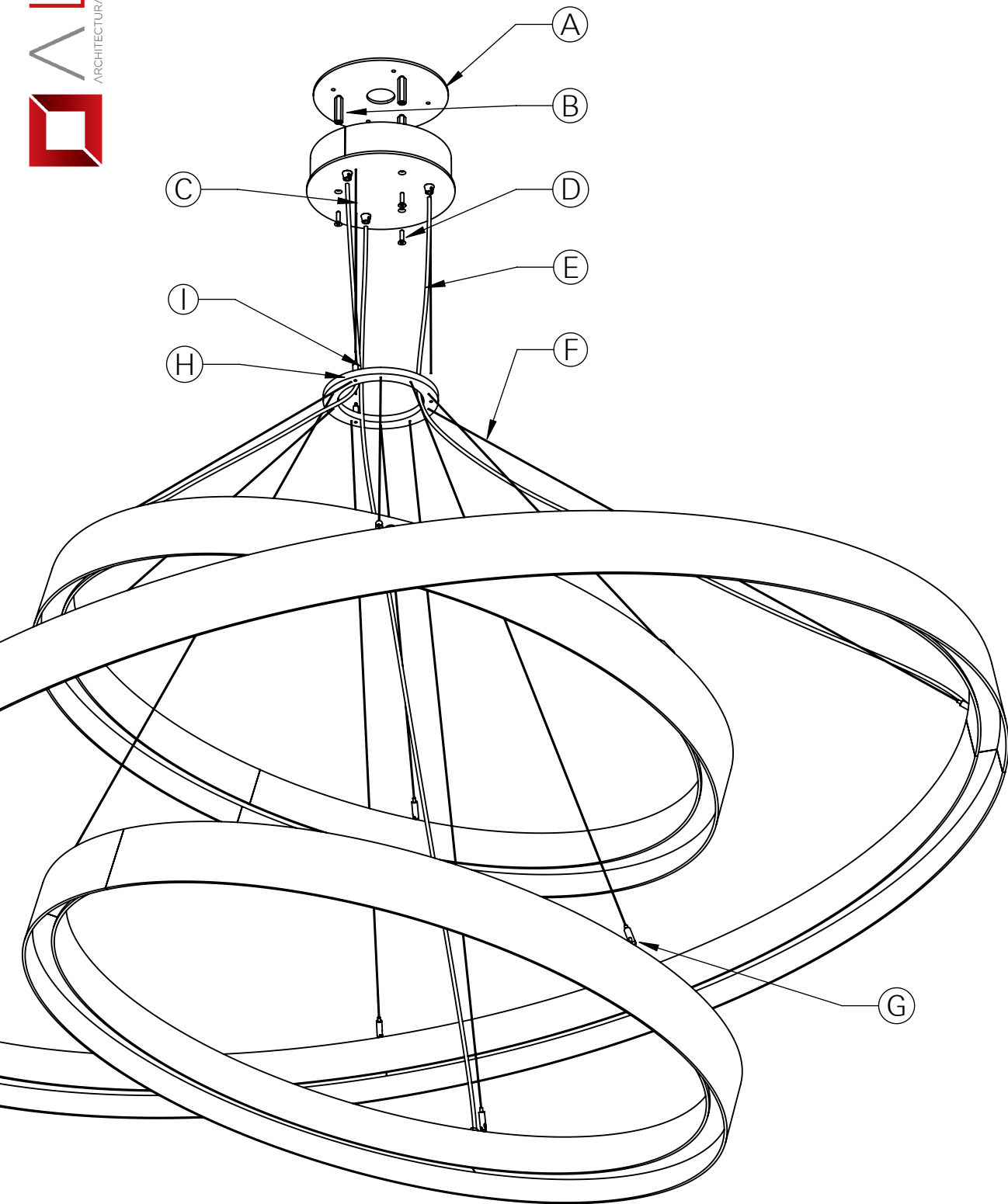


RPD06-MULTI RING S03 INSTALLATION INSTRUCTIONS



STEP 1:

INSTALL LED DRIVER AT REMOTE LOCATION

*REMOTE DISTANCE NOT TO EXCEED 50FT

RUN WIRING FROM DRIVER TO J-BOX USING AT LEAST 12AWG WIRING

STEP 2:

INSTALL TOP MOUNTING PLATE (A) TO CEILING STUDS USING 1/4-20 BOLTS BY OTHERS

STEP 3:

RUN 3x AIRCRAFT CABLES (C) THROUGH CANOPY BODY

STEP 4:

SECURE THE CANOPY BODY USING 3x 1/4-20 BUTTON-HEAD SCREWS (D) INTO THE FEMALE STANDOFFS (B)

STEP 5:

SECURE SUSPENSION RING COLLAR (H) BY ATTACHING THE 3x AIRCRAFT CABLES FROM CANOPY BODY TO GRIPLOCK GRIPPERS (I) ON THE SUSPENSION RING COLLAR (ADJUSTABLE TO DESIRED LENGTH)

STEP 6:

INSTALL 6x AIRCRAFT CABLES (F) FROM SUSPENSION RING TO GRIPLOCK GRIPPERS (G) ON FIXTURE & CANOPY, ADJUST LENGTH AS NEEDED

STEP 7:

ROUTE POWER CABLE (E) FROM FIXTURE THROUGH STRAIN RELIEF ON CANOPY. ADJUST LENGTH AND SECURE WITH SET SCREW ON SIDE OF STRAIN RELIEF

CONNECT WIRING (BY E.C.)

STEP 8:

CAREFULLY INSERT LENS SECTIONS INTO FIXTURE

CONFIDENTIAL

The info in this document is the exclusive property of ALW Copyright 2017