



CROWNE POINTE

RPD16 | SUSPENDED, WALL, SURFACE

STANDARD SIZES

Ceiling, Suspended Pendant, or Wall Mount Spotlight

LAMPING

LED - 83+ CRI - 2700K/3000K/3500K/4000K

Output: 2100lm (at 111 lm/W) per luminaire

Dimming down to 0%

FINISH

Brushed Aluminum, White, Black, Silver, Brass, RAL Classic Colors

CONSTRUCTION

Industrial Strength Extruded Aluminum





PRODUCT SUBMITTAL WORKSHEET

SAMPLE PRODUCT CODE

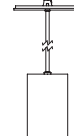
RPD16P – 3500 – 0/10V/S – BK – BK – ZIGZAG – UNV – EMB
1 2 3 4 5 6 7 8

1. BASE MODEL (CHOOSE ONE)

- RPD16C** Ceiling Mount Spotlight
- RPD16P** Suspended Spotlight Pendant with Colored Cord
- RPD16S** Wall Sconce Spotlight



RPD16C



RPD16P



RPD16S


2. LED LAMPING (CHOOSE ONE – 2100 LM AND 18.9 W PER LAMP)

- 2700** 2700K (very warm)
- 3000** 3000K (warm)
- 3500** 3500K (slightly warm)
- 4000** 4000K (neutral)


3. REMOTE DRIVER (CHOOSE ONE)

- 0/10V/S** 0-10V dimming down to 10% (Standard Dimming)
- 0/10V/1%** 0-10V dimming down to 1%
- 0/10V/0%** 0-10V premium dimming down to 0%
- ECOSYS1** Lutron Hi-lume 1% EcoSystem, constant current or constant voltage
- ECOSYS5** Lutron Hi-lume 5% EcoSystem, constant current
- LTEA** Lutron Hi-lume 1% 2-wire TRIAC dimming (120V forward-phase only), constant current or constant voltage

4. ACCENT FINISH (CHOOSE ONE)

- BAL** Brushed Aluminum
- BK** Black Powder Coat
- BRS** Brass Metallic Powder Coat
- SV** Silver Powder Coat
- WH** White Powder Coat
- WH/AM**  White Antimicrobial Powder Coat (for healthcare environments)
- RAL_____** Specify RAL Classic Color code (ex: RAL3003) ralcolorchart.com/ral-classic

5. BODY FINISH (CHOOSE ONE)

- BAL** Brushed Aluminum
- BK** Black Powder Coat
- BRS** Brass Metallic Powder Coat
- SV** Silver Powder Coat
- WH** White Powder Coat
- WH/AM**  White Antimicrobial Powder Coat (for healthcare environments)
- RAL_____** Specify RAL Classic Color code (ex: RAL3003) ralcolorchart.com/ral-classic

SS030119-A.0



6. CORD COLOR (FOR SUSPENDED PENDANT ONLY – CHOOSE ONE)

- BK** Black
- ZIGZAG** Black & White Zig-Zag
- WH** White
- CCC:_____** Custom Color Cord Code (Select from Solid, Patterned, Neon or Shine options only and indicate code, ex: CCC:W3-620) colorcord.com

7. VOLTAGE (CHOOSE ONE)

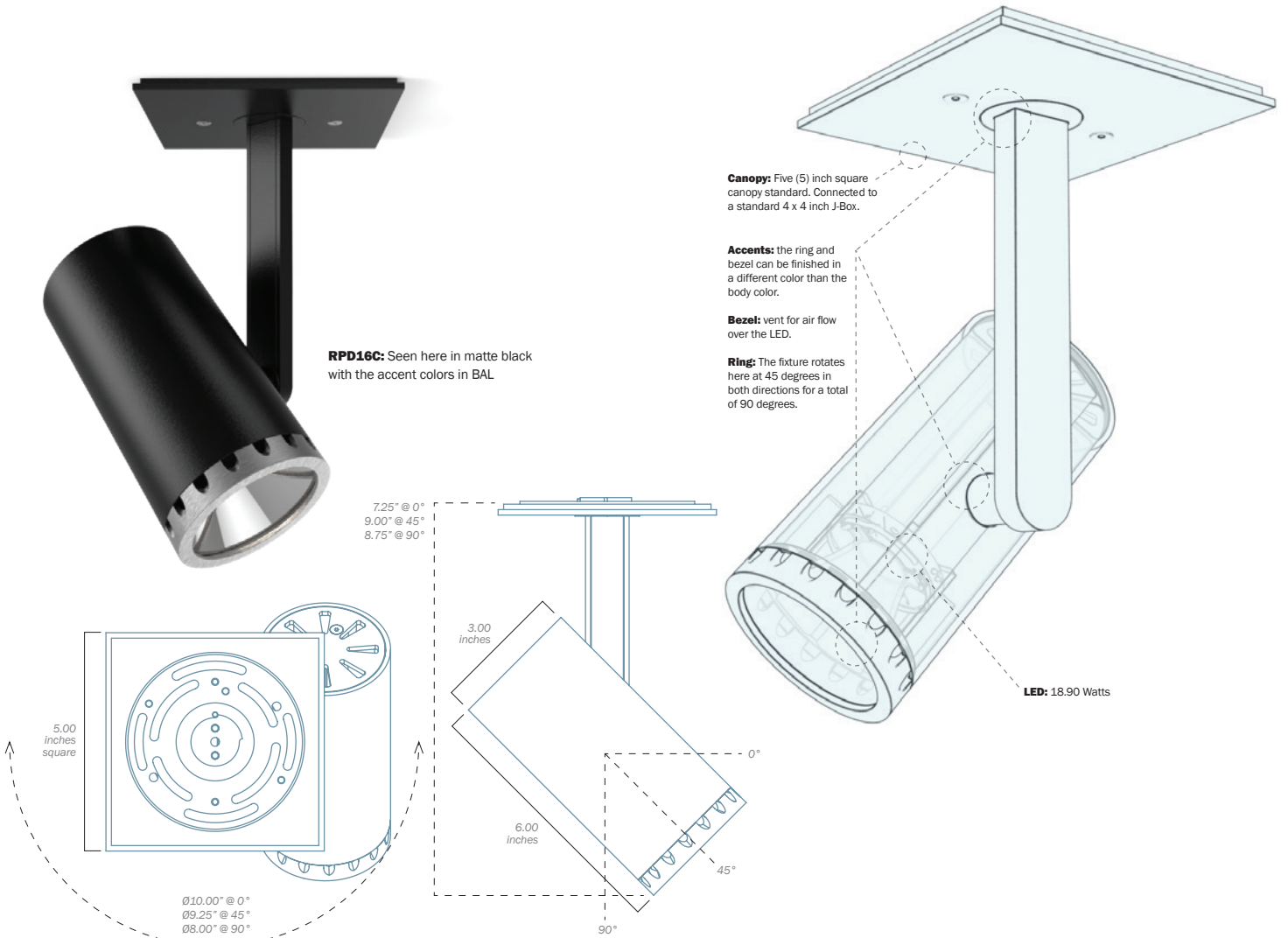
- UNV** Universal Voltage (120VAC-277VAC)
- 347** 347 Volts (*Driver options may be limited*)

8. EMERGENCY OPTIONS (OPTIONAL)

- EMB** Emergency Battery Pack

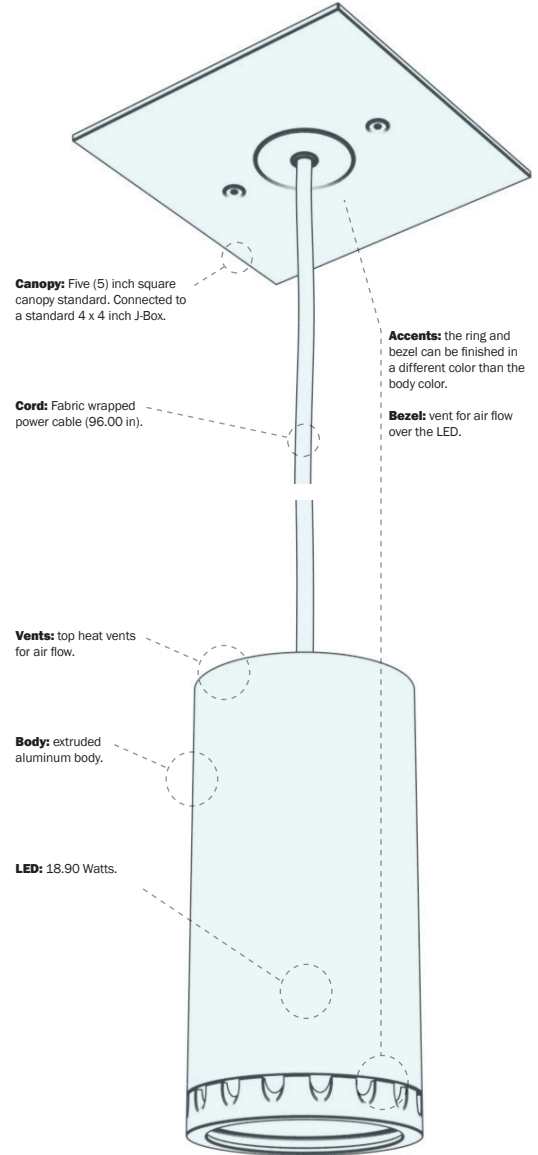


MECHANICAL DIAGRAMS – CEILING MOUNT (C)



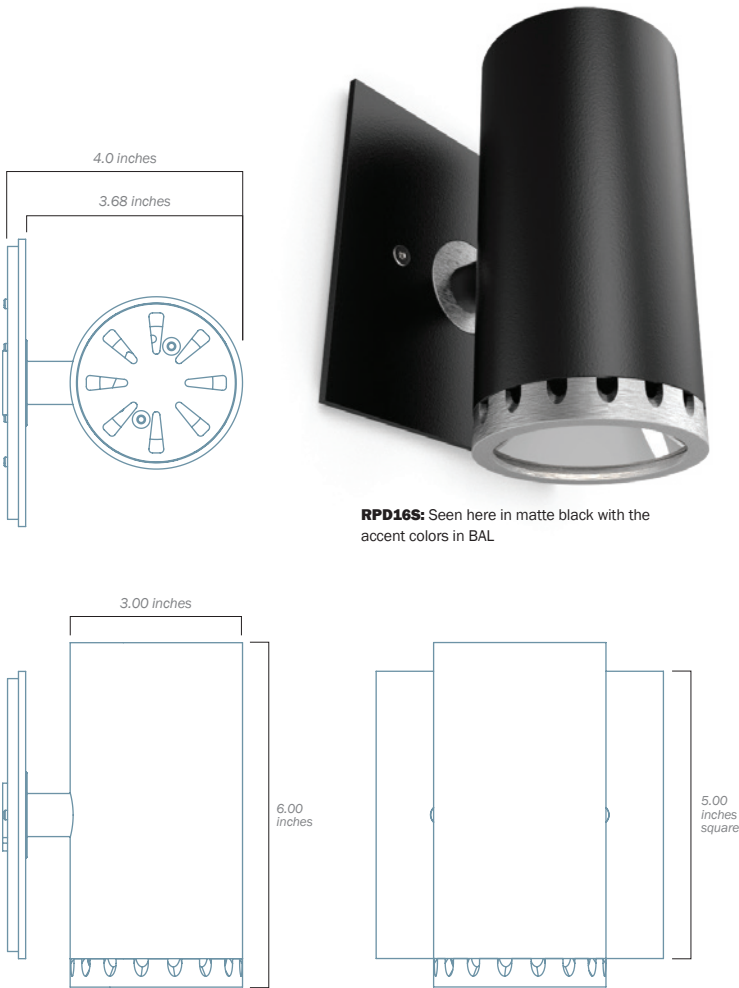


MECHANICAL DIAGRAMS – SUSPENDED PENDANT (P)

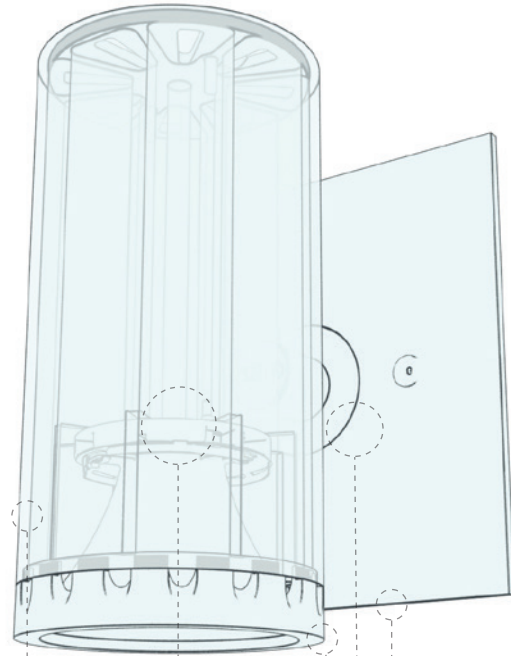




MECHANICAL DIAGRAMS – WALL SCONCE (S)



RPD16S: Seen here in matte black with the accent colors in BAL



Body: extruded aluminum body.

LED: 18.90 Watts.

Canopy: Five (5) inch square canopy standard. Connected to a standard 4 x 4 inch J-Box.

Accents: the ring and bezel can be finished in a different color than the body color.

Bezel: vent for air flow over the LED.

Ring: The fixture rotates here at 45 degrees in both directions for a total of 90 degrees.

CROWNE POINTE VOLTAGE DROP CHART FOR REMOTE DRIVERS – 27VDC

Use this chart to calculate maximum wire length between the fixture and remote driver. For best performance, ensure proper wire gauge is installed between the remote LED driver and canopy that is dropping power to your fixture. This chart only applies to RPD16 at 27VDC. Do not use this chart to calculate voltage drop for other fixtures.

WIRE GAUGE	18.9W 0.70A
18 AWG	82 ft.
16 AWG	136 ft.
14 AWG	221 ft.
12 AWG	356 ft.
10 AWG	571 ft.

SS030119-A.0



ADDITIONAL OPTIONS & SPECIFICATIONS

HOUSING

100% recyclable, extruded architectural grade aluminum frame

SAFETY & REGULATORY

ETL Listed (U.S. & Canada). Suitable for dry locations only.
Conforms to UL std. 2108, Low Voltage Luminaires / Low Voltage Lighting Systems.
Certified to CSA std. C22.2#250.0:2008 Ed. 3+G1;G2.

OPERATING TEMPERATURE

Luminaire should be installed and operated ONLY in environments where the ambient temperature ranges from -4 °F to 122 °F (-20 °C to 50 °C). Luminaire operation in environments outside the listed temperature range voids the warranty AND may damage the product or adversely impact lamp life, lumen output and color consistency.

FINISH



Brushed Aluminum



White*



Black



Silver



Brass



RAL Classic

**For healthcare environments, a white antimicrobial finish (WH/AM) is also available.*