



# TWIST OPEN

## RPD15 | SUSPENDED PENDANT

DESIGN BY  
**NEIDHARDT**

### STANDARD SIZES

Triangular, Rectangular, and Square Configurations

### LAMPING

LED - 90+ CRI - 2700K/3000K/3500K/4000K

Output Options: Standard/RGB/RGBW

Dimming down to 0%

### FINISH

Brushed Aluminum, White, Black, Silver, Brass, RAL Classic Colors

### CONSTRUCTION

Industrial Strength Extruded Aluminum





# PRODUCT SUBMITTAL WORKSHEET

## SAMPLE PRODUCT CODE

**RPD15/S – 63 – 3500 – 0/10V/0% – BK – UNV – EMB**  
 1 2 3 4 5 6 7

### 1. BASE MODEL (CHOOSE ONE)

- RPD15/R** Rectangular Pendant
- RPD15/S** Square Pendant
- RPD15/T** Triangular Pendant

### 2. NOMINAL SIZE (CHOOSE ONE)

#### Rectangular

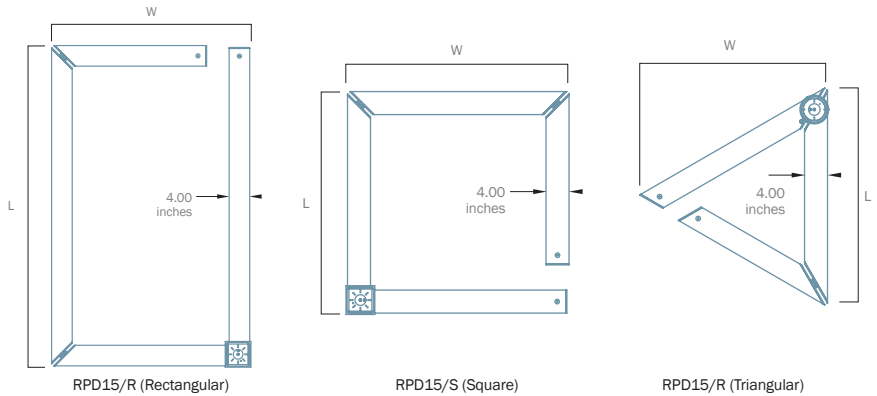
- 63** 4 sides, 62.25" L x 38.50" W
- 75** 4 sides, 74.20" L x 50.25" W

#### Square

- 39** 4 sides, 38.50" L x 38.50" W
- 51** 4 sides, 50.25" L x 50.25" W
- 63** 4 sides, 62.25" L x 62.25" W

#### Triangular

- 38** 3 sides, 37.73" L x 32.70" W
- 50** 3 sides, 49.73" L x 43.10" W
- 62** 3 sides, 61.73" L x 53.50" W



### 3. LED LAMPING (CHOOSE ONE – APPROX. 670 LM/FT AND 9 W/FT FOR WHITE, 5 W/FT FOR RGB/RGBW)

- 2700** 2700K (very warm)
- 3000** 3000K (warm)
- 3500** 3500K (slightly warm)
- 4000** 4000K (neutral)
- RGB** Red, Green, and Blue LED
- RGBW** Red, Green, Blue, and White (4000K) LED


### 4. REMOTE DRIVER (CHOOSE ONE)

- 0/10V/S** 0-10V dimming down to 10% (Standard Dimming)
- 0/10V/1%** 0-10V dimming down to 1%
- 0/10V/0%** 0-10V premium dimming down to 0%
- DMX** DMX flicker-free dimming down to 0% (Recommended for RGB or RGBW lamping)
- ECOSYS1** Lutron Hi-lume 1% EcoSystem, constant current or constant voltage
- LTEA** Lutron Hi-lume 1% 2-wire TRIAC dimming (120V forward-phase only), constant current or constant voltage



---

## 5. FINISH (CHOOSE ONE)

- BAL** Brushed Aluminum
- BK** Black Powder Coat
- BRS** Brass Metallic Powder Coat
- SV** Silver Powder Coat
- WH** White Powder Coat
- WH/AM**  White Antimicrobial Powder Coat (for healthcare environments)
- RAL\_\_\_\_\_** Specify RAL Classic Color code (ex: RAL3003) [ralcolorchart.com/ral-classic](http://ralcolorchart.com/ral-classic)

---

## 6. VOLTAGE

- UNV** Universal Voltage (120VAC-277VAC)

---

## 7. EMERGENCY OPTIONS (OPTIONAL)

- EMB** Emergency Battery Pack



## MECHANICAL DIAGRAMS – RPD15/R (RECTANGULAR)



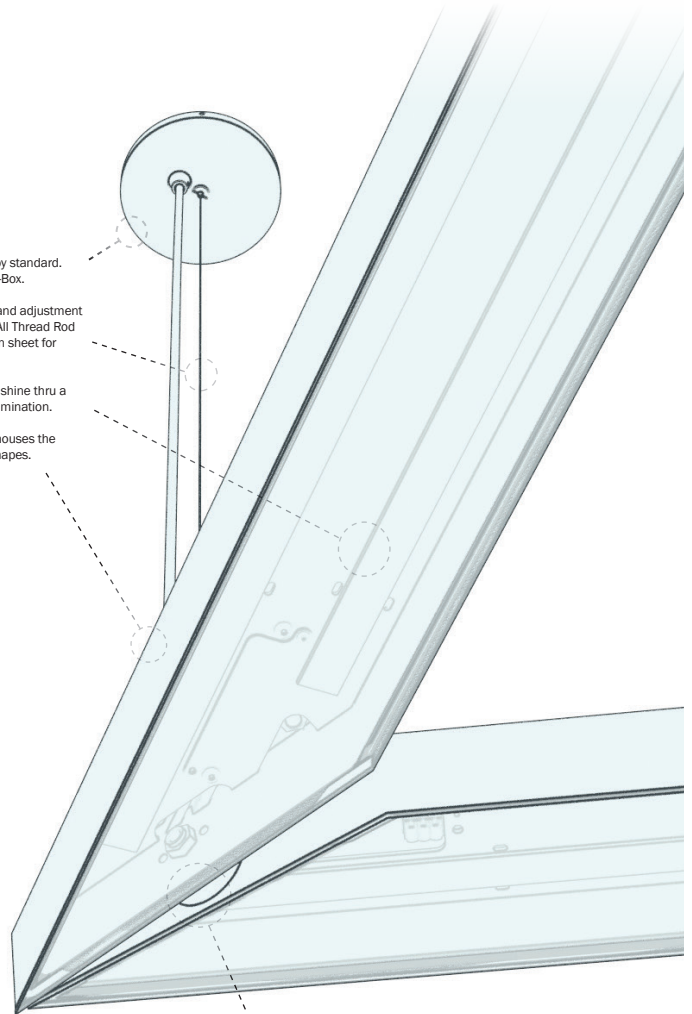
RPD15/R: Seen here in brushed aluminum with a standard suspension.

Canopy: Five (5) inch diameter canopy standard. Connected to a standard 4 x 4 inch J-Box.

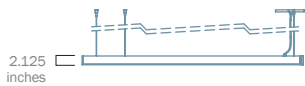
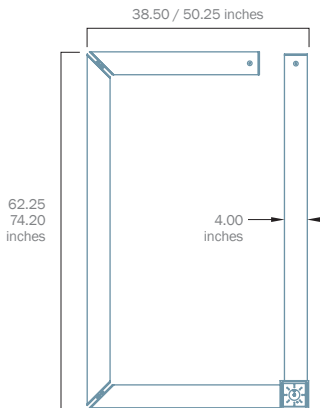
Cable Suspension: Easy installation and adjustment cables to Griplock fittings to 1/4-20 All Thread Rod (by G.C.). See schedule on installation sheet for mounting locations.

LEDs: High performance LED boards shine thru a satin white acrylic lens for perfect illumination.

Body: An extruded aluminum frame houses the electronics and comes in three (3) shapes.



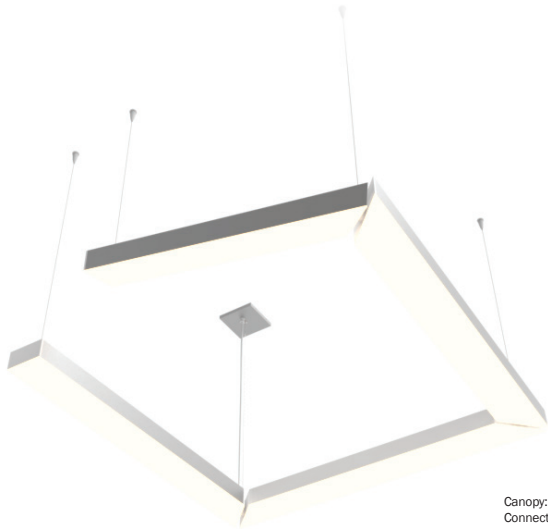
Rotation Point: The rotation point on all RPD15 fixtures allows for unique angles and control over the direction of the light throw. Maximum rotation is 30° in either direction.



RPD15: Side view with standard height of 2.125 inches for all fixtures.



## MECHANICAL DIAGRAMS – RPD15/S (SQUARE)



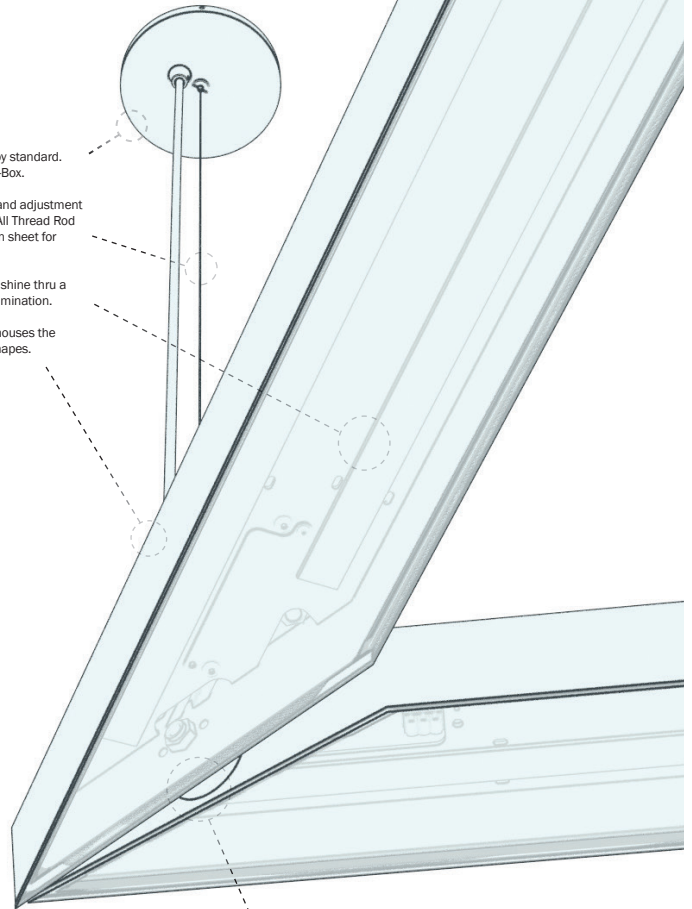
RPD15/S: Seen here in brushed aluminum with a standard suspension.

Canopy: Five (5) inch diameter canopy standard. Connected to a standard 4 x 4 inch J-Box.

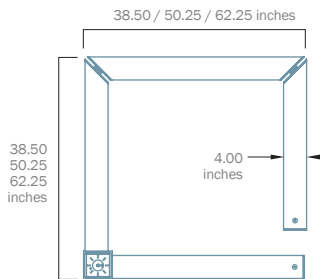
Cable Suspension: Easy installation and adjustment cables to Griplock fittings to 1/4-20 All Thread Rod (by G.C.). See schedule on installation sheet for mounting locations.

LEDs: High performance LED boards shine thru a satin white acrylic lens for perfect illumination.

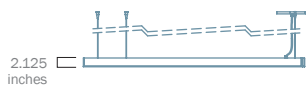
Body: An extruded aluminum frame houses the electronics and comes in three (3) shapes.



Rotation Point: The rotation point on all RPD15 fixtures allows for unique angles and control over the direction of the light throw. Maximum rotation is 30° in either direction.



RPD15 S (square): Top view.



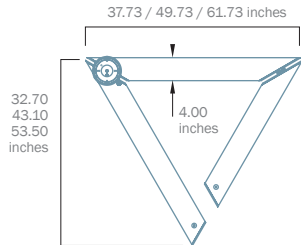
RPD15: Side view with standard height of 2.125 inches for all fixtures.



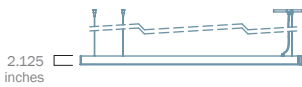
## MECHANICAL DIAGRAMS – RPD15/T (TRIANGULAR)



RPD15/T: Seen here in brushed aluminum with a standard suspension.



RPD15 T (triangle): Top view



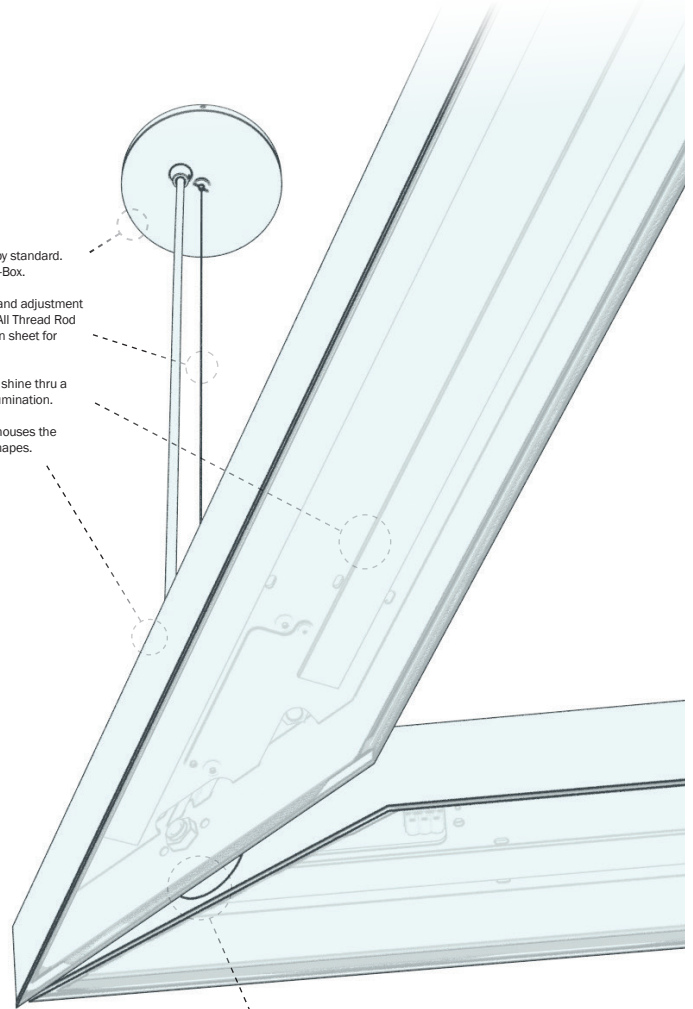
RPD15: Side view with standard height of 2.125 inches for all fixtures.

Canopy: Five (5) inch diameter canopy standard. Connected to a standard 4 x 4 inch J-Box.

Cable Suspension: Easy installation and adjustment cables to Griplock fittings to 1/4-20 All Thread Rod (by G.C.). See schedule on installation sheet for mounting locations.

LEDs: High performance LED boards shine thru a satin white acrylic lens for perfect illumination.

Body: An extruded aluminum frame houses the electronics and comes in three (3) shapes.



Rotation Point: The rotation point on all RPD15 fixtures allows for unique angles and control over the direction of the light throw. Maximum rotation is 30° in either direction.



## PERFORMANCE DETAILS

TYPE	SIZE	DELIVERED LUMENS (LM)	WATTS (W)	APPROX. WEIGHT (LBS)	EFFICACY (LM/W)	CRI	CCT OPTIONS
RECTANGULAR	<b>63</b> (62.25" L x 38.50" W)	9,814 lm	257 W	38 lbs.	Approx. 38+ lm/W	90+	2700K 3000K 3500K 4000K
	<b>75</b> (74.20" L x 50.25" W)	12,469 lm	324 W	50 lbs.			
SQUARE	<b>39</b> (38.50" L x 38.50" W)	7,169 lm	188 W	28 lbs.			
	<b>51</b> (50.25" L x 50.25" W)	9,492 lm	248 W	35 lbs.			
	<b>63</b> (62.25" L x 62.25" W)	12,485 lm	324 W	48 lbs.			
TRIANGULAR	<b>38</b> (37.73" L x 32.70" W)	4,512 lm	121 W	18 lbs.			
	<b>50</b> (49.73" L x 43.10" W)	6,238 lm	167 W	24 lbs.			
	<b>62</b> (61.73" L x 53.50" W)	8471 lm	227 W	32 lbs.			

\*Lumen and Power estimates are based on tests with White LEDs at 3000K.

## TWIST OPEN VOLTAGE DROP CHART FOR REMOTE DRIVERS – WHITE LED, 24VDC

For best performance, ensure proper wire gauge is installed between the remote LED driver and canopy that is dropping power to your fixture. This chart is a conservative estimate for 0/10V drivers (certain configurations may include a different number of remote drivers). *This chart only applies to RPD15 at 24VDC. Do not use this chart to calculate voltage drop for other fixtures.*

WIRE GAUGE	R-63 86W (x3)	R-75 81W (x4)	S-39 94W (x2)	S-51 83W (x3)	S-63 81W (x4)	T-38 61W (x2)	T-50 84W (x2)	T-62 76W (x3)
18 AWG	7 ft.	8 ft.	6 ft.	8 ft.	8 ft.	14 ft.	8 ft.	9 ft.
16 AWG	17 ft.	18 ft.	14 ft.	17 ft.	18 ft.	27 ft.	17 ft.	20 ft.
14 AWG	31 ft.	34 ft.	28 ft.	33 ft.	34 ft.	48 ft.	32 ft.	37 ft.
12 AWG	55 ft.	59 ft.	49 ft.	57 ft.	59 ft.	81 ft.	56 ft.	63 ft.
10 AWG	92 ft.	98 ft.	84 ft.	96 ft.	98 ft.	133 ft.	94 ft.	105 ft.

## TWIST OPEN VOLTAGE DROP CHART FOR REMOTE DMX DRIVERS – RGB LED, 24VDC

WIRE GAUGE	R-63 48W (x3)	R-75 45W (x4)	S-39 52W (x2)	S-51 46W (x3)	S-63 45W (x4)	T-38 34W (x2)	T-50 47W (x2)	T-62 42W (x3)
18 AWG	20 ft.	22 ft.	18 ft.	21 ft.	22 ft.	31 ft.	20 ft.	24 ft.
16 AWG	36 ft.	39 ft.	33 ft.	38 ft.	39 ft.	55 ft.	37 ft.	43 ft.
14 AWG	63 ft.	68 ft.	57 ft.	66 ft.	68 ft.	92 ft.	64 ft.	73 ft.
12 AWG	105 ft.	112 ft.	96 ft.	110 ft.	112 ft.	152 ft.	107 ft.	121 ft.
10 AWG	172 ft.	184 ft.	158 ft.	180 ft.	184 ft.	246 ft.	176 ft.	197 ft.

SS110618-A.0



---

## ADDITIONAL OPTIONS & SPECIFICATIONS

### HOUSING

100% recyclable, extruded architectural grade aluminum frame.

### SAFETY & REGULATORY

ETL Listed (U.S. & Canada). Suitable for dry locations only.  
Conforms to UL std. 2108, Low Voltage Luminaires / Low Voltage Lighting Systems.  
Certified to CSA std. C22.2#250.0:2008 Ed. 3+G1;G2.

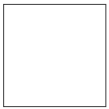
### OPERATING TEMPERATURE

Luminaire should be installed and operated ONLY in environments where the ambient temperature ranges from -4 °F to 122 °F ( -20 °C to 50 °C). Luminaire operation in environments outside the listed temperature range voids the warranty AND may damage the product or adversely impact lamp life, lumen output and color consistency.

### FINISH



**Brushed Aluminum**



**White\***



**Black**



**Silver**



**Brass**



**RAL Classic**

*\*For healthcare environments, a white antimicrobial finish (WH/AM) is also available.*