

IMPORTANT SAFETY INSTRUCTIONS

When installing or using this suspended fixture basic safety precautions should be followed

Read ALL INSTRUCTIONS before installing fixture.

- This fixture is intended for installation in accordance with the National Electric Code and Local and State Codes and must be installed by a licensed electrical contractor.
- DO NOT INSTALL THIS FIXTURE IN WET LOCATIONS.
- DANGER - RISK OF SHOCK - DISCONNECT POWER BEFORE INSTALLATION

TYPICAL INSTALLATION

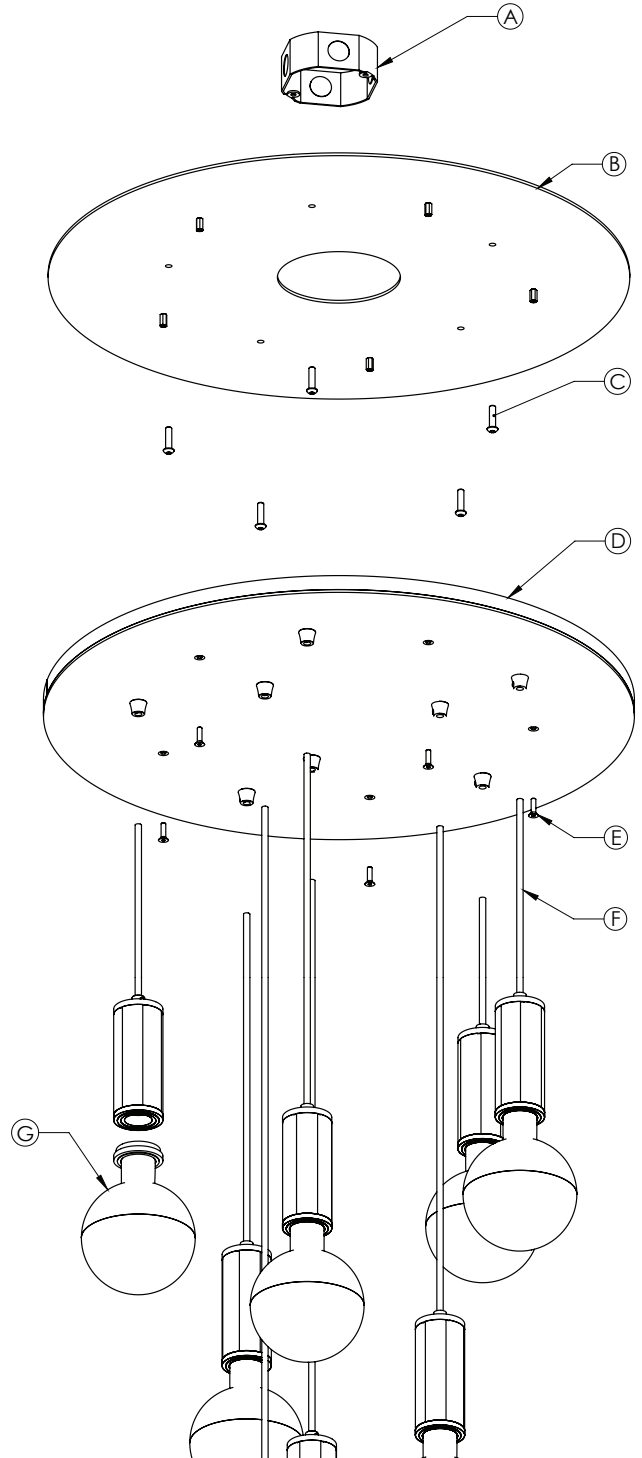
ALWAYS FOLLOW APPLICABLE BUILDING CODES WHEN INSTALLING ANY LIGHT FIXTURE. DUE TO PRODUCT VARIATIONS AND CONFIGURATIONS, THESE INSTRUCTIONS SERVE ONLY AS A GENERAL GUIDE.

REFER TO FACTORY PROVIDED SUBMITTALS FOR DETAILS.

INSTRUCTIONS:

NOTE: Fabric cord may be wrinkled from shipping. Smooth out the cord by hand prior to hanging. Alternatively, the application of **low** heat (using a heat gun or similar) may also be used to straighten out the cord. Ensure heat source is **at least 6" away** from cord to prevent damage.

1. Turn off power at fuse box before proceeding.
2. Install LED driver(s) in a remote location, and run wiring from driver to standard 4.0 J-Box [A]. See chart below for maximum run length between fixture and remote driver for various wire gauges.
3. Install mounting plate [B] to blocking using 1/4-20 screws [C] (not included).
4. Route power cables [F] through strain reliefs on canopy [D]. Adjust lengths as needed and secure with screws on side of strain reliefs. Connect wiring (by others) at canopy.
5. Install canopy to mounting place using the factory-provided #10-32 CSK screws [E]
6. Carefully install hand-blown glass [G] into fixture body.
7. Turn on power.



WIRE GAUGE	3 Lamps 18W 0.53A	5 Lamps 30W 0.88A	10 Lamps 60W 1.76A
18 AWG	116 ft.	70 ft.	35 ft.
16 AWG	185 ft.	111 ft.	55 ft.
14 AWG	295 ft.	177 ft.	88 ft.
12 AWG	470 ft.	281 ft.	140 ft.
10 AWG	745 ft.	447 ft.	223 ft.

TYPICAL INSTALLATION

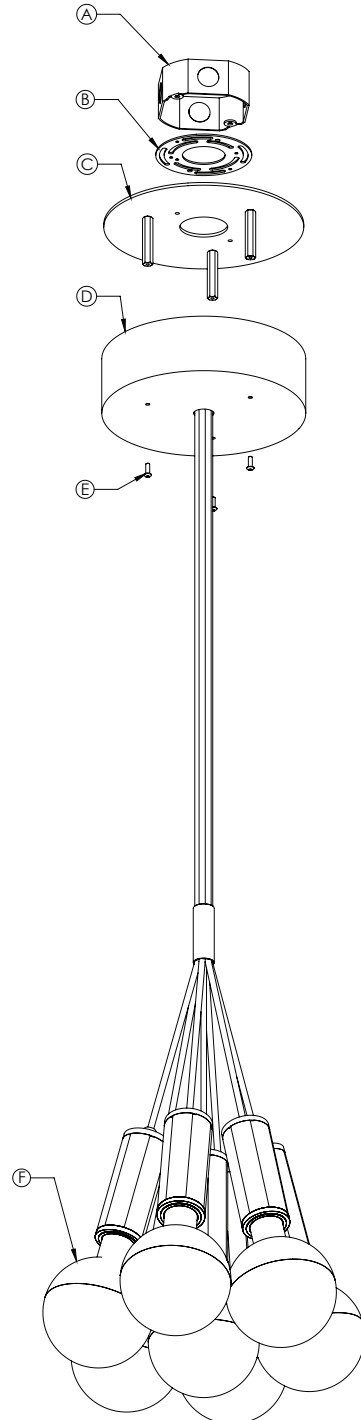
ALWAYS FOLLOW APPLICABLE BUILDING CODES WHEN INSTALLING ANY LIGHT FIXTURE. DUE TO PRODUCT VARIATIONS AND CONFIGURATIONS, THESE INSTRUCTIONS SERVE ONLY AS A GENERAL GUIDE.

REFER TO FACTORY PROVIDED SUBMITTALS FOR DETAILS.

INSTRUCTIONS:

NOTE: Fabric cord may be wrinkled from shipping. Smooth out the cord by hand prior to hanging. Alternatively, the application of **low** heat (using a heat gun or similar) may also be used to straighten out the cord. Ensure heat source is **at least 6" away** from cord to prevent damage.

1. Turn off power at fuse box before proceeding.
2. Install LED driver(s) in a remote location, and run wiring from driver to standard 4.0 J-Box [A]. See chart below for maximum run length between fixture and remote driver for various wire gauges.
3. Install universal mounting ring [B] to J-Box [A] (not included).
4. Install fixture top plate [C] to universal mounting ring [B] using (2x) #8 screws (by G.C).
5. Connect wiring (by others) at canopy.
6. Install fixture canopy [D] to standoffs on top plate [C] using (3x) included #8-32 screws [E].
7. Carefully install hand-blown glass [F] into fixture body.
8. Turn on power.



WIRE GAUGE	3 Lamps 18W 0.53A	5 Lamps 30W 0.88A	10 Lamps 60W 1.76A
18 AWG	116 ft.	70 ft.	35 ft.
16 AWG	185 ft.	111 ft.	55 ft.
14 AWG	295 ft.	177 ft.	88 ft.
12 AWG	470 ft.	281 ft.	140 ft.
10 AWG	745 ft.	447 ft.	223 ft.

TYPICAL INSTALLATION

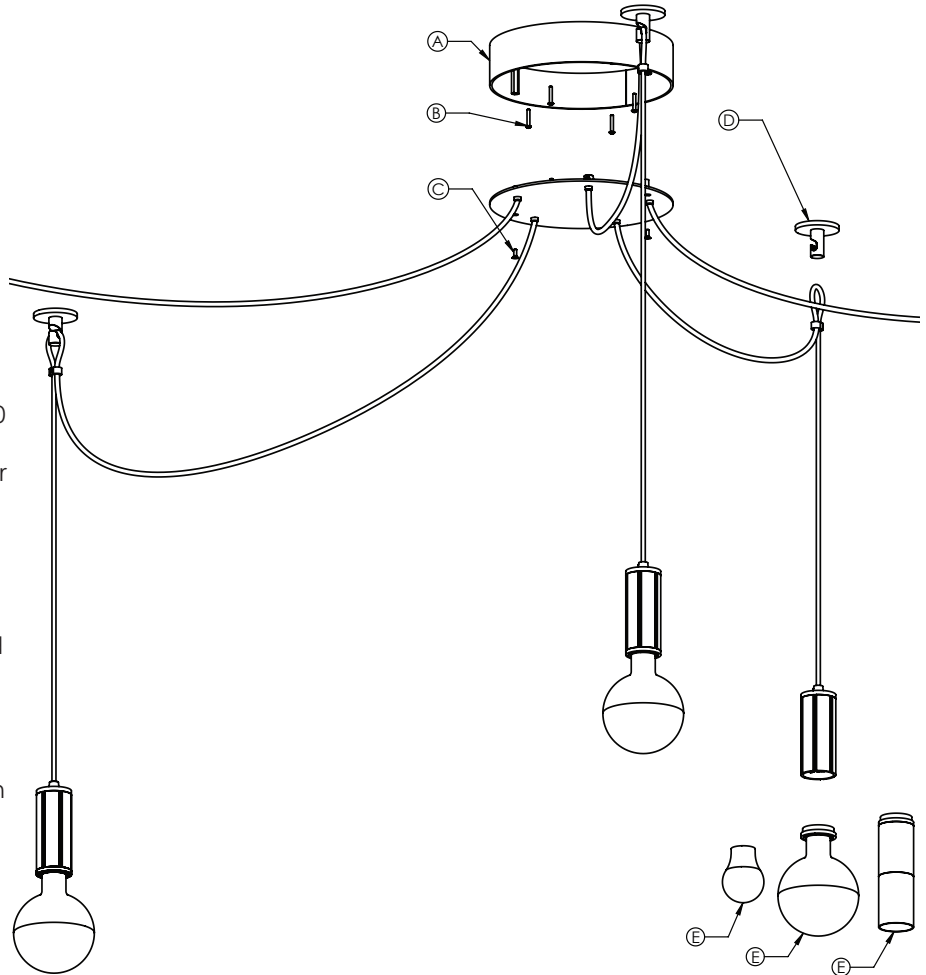
ALWAYS FOLLOW APPLICABLE BUILDING CODES WHEN INSTALLING ANY LIGHT FIXTURE. DUE TO PRODUCT VARIATIONS AND CONFIGURATIONS, THESE INSTRUCTIONS SERVE ONLY AS A GENERAL GUIDE.

REFER TO FACTORY PROVIDED SUBMITTALS FOR DETAILS.

INSTRUCTIONS:

NOTE: Fabric cord may be wrinkled from shipping. Smooth out the cord by hand prior to hanging. Alternatively, the application of **low** heat (using a heat gun or similar) may also be used to straighten out the cord. Ensure heat source is **at least 6" away** from cord to prevent damage.

1. Turn off power at fuse box before proceeding.
2. Install LED driver(s) in a remote location, and run wiring from driver to standard 4.0 J-Box. See chart below for maximum run length between fixture and remote driver for various wire gauges.
3. Install canopy [A] to J-Box or blocking using (4x) #8-32 screws [B] (by G.C.).
4. Install swag hooks [D] to 1/4-20 all-thread rods in blocking (by G.C.).
5. Route power cords from fixtures through strain reliefs at canopy, adjusting length as needed, and secure with set screw on side of strain relief.
6. Connect wiring at canopy.
7. Install canopy bottom plate to canopy using (2x) included CSK screws [C].
8. Carefully install hand-blown glass [E] into fixture body.
9. Turn on power.



WIRE GAUGE	3 Lamps 18W 0.53A	5 Lamps 30W 0.88A	10 Lamps 60W 1.76A
18 AWG	116 ft.	70 ft.	35 ft.
16 AWG	185 ft.	111 ft.	55 ft.
14 AWG	295 ft.	177 ft.	88 ft.
12 AWG	470 ft.	281 ft.	140 ft.
10 AWG	745 ft.	447 ft.	223 ft.