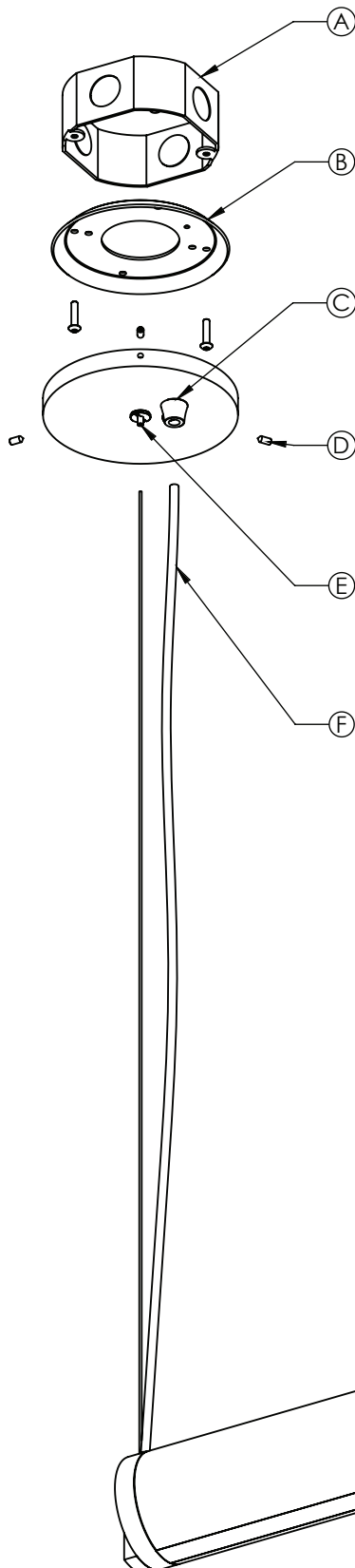


Safety & Warnings!

1. Read all instructions.
2. Install in accordance with national and local electrical code regulations.
3. This product is intended to be installed and serviced by a qualified, licensed electrician.
4. This product operates around 122°F/50°C - do not mount in a reachable location.
5. Do not install in wet locations. For dry and damp use only.
6. Turn off electrical power before installing or servicing fixture in any way.
7. To reduce the risk of fire and overheating, make sure all connections are tight.

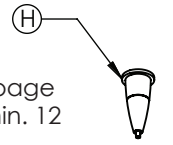
Attention!

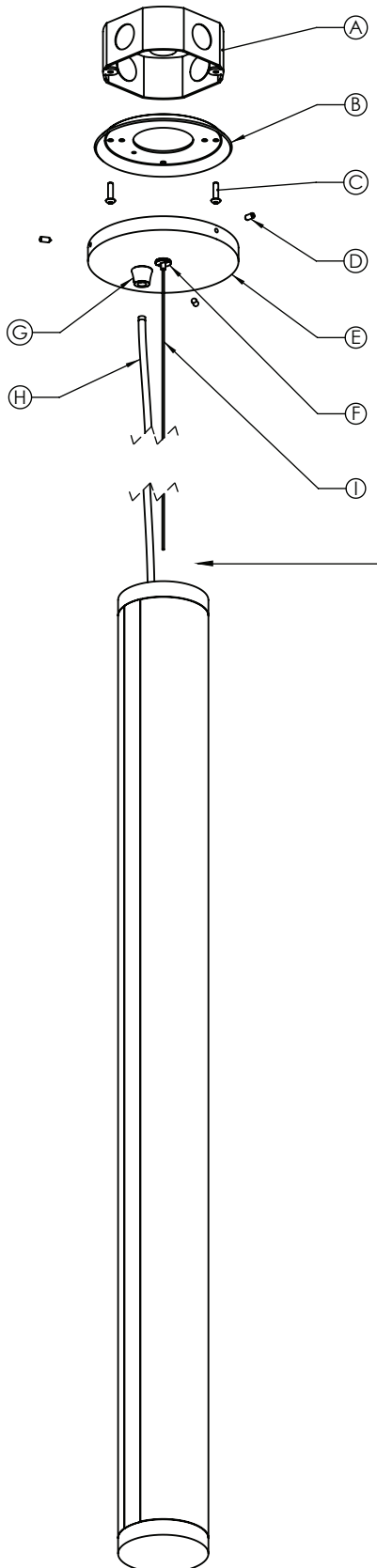
1. Lisez toutes les instructions.
2. Installez conformément à la réglementation du code électrique national et local.
3. Ce produit est destiné à être installé et entretenu par un électricien agréé qualifié.
4. Ce produit fonctionne autour de 122°F/50°C - ne pas monter dans un endroit accessible.
5. Ne pas installer à l'extérieur ou dans des endroits humides. Pour une utilisation en intérieur et sec seulement.
6. Coupez l'alimentation électrique avant de évoluer le système d'éclairage en aucune façon.
7. Pour réduire le risque d'incendie et de surchauffe, assurez-vous que toutes les connexions sont bien serrées.



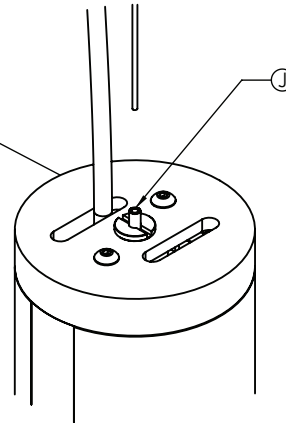
INSTALLATION INSTRUCTIONS

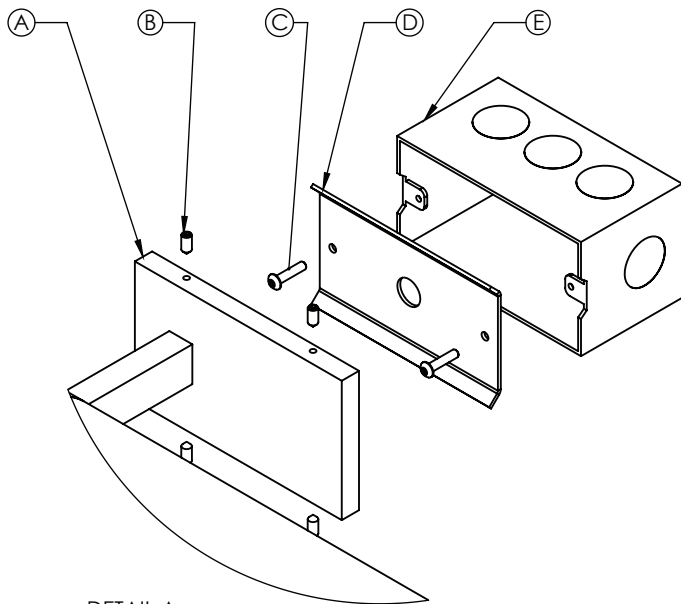
1. Install Remote Driver in a serviceable/accessible location. See page 4 for maximum distance. Run wiring from Driver to J-Box using min. 12 AWG wiring.
2. Install Griplock Gripper [H] to 1/4"-20 all thread rods in blocking (by others). Adjust length as needed.
3. Install wedge plate [B] to Standard 4.0" J-Box [A] using (2x) #8-32 screws. Insert Aircraft Cable into Griplock on Canopy [E].
4. Route power cable [F] through strain relief [C]. adjust length and secure with set screw on side of strain relief.
5. Connect wiring at J-Box (by others) Install Canopy to Wedge Plate using (3x) #8-32 set screws [D] (by ALW).



**INSTALLATION INSTRUCTIONS**

1. Install Remote Driver in a serviceable/accessible location. See page 4 for maximum distance. Run wiring from driver to J-Box using min. 12 AWG wiring.
2. Install Aircraft Cable [I] from Canopy to Griplock Gripper [J] on fixture. Adjust length, as needed.
3. Install wedge plate [B] to Standard 4.0" J-Box [A] using (2x) #8-32 screws [C].
4. Route power cable [H] from fixture through strain relief [G]. Adjust length as needed and secure with set screw on side of strain relief.
5. Connect wiring at J-Box (by others) Install Canopy to Wedge Plate using (3x) #8-32 set screws [D] (by ALW).

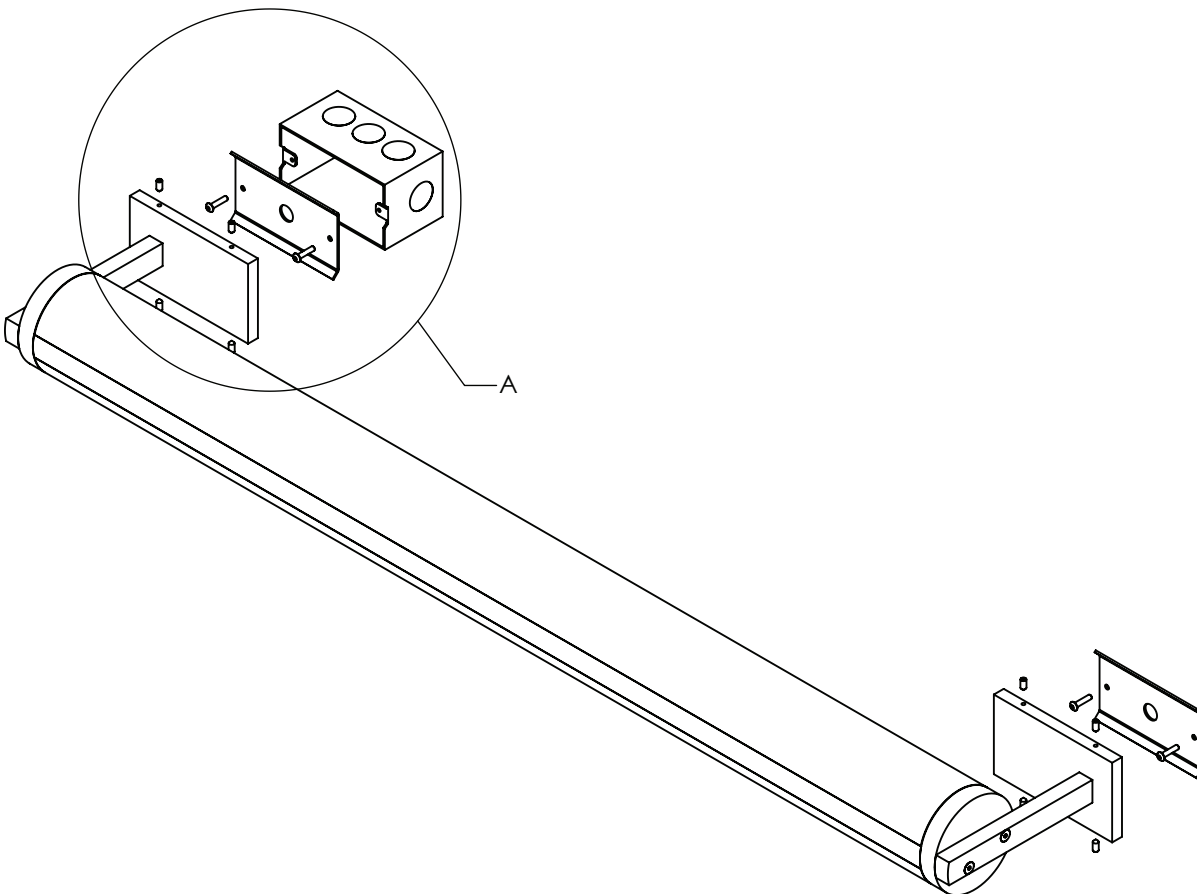




DETAIL A
SCALE 1 : 2

INSTALLATION INSTRUCTIONS

1. Install Remote Driver in a serviceable/accessible location. See page 4 for maximum distance. Run wiring from driver to Handy Box [E] using min. 12 AWG wiring.
2. Install Rectangular Wedge Plate [D] to Handy Box [E] using (2x) #6-32 screws [C]. Repeat at opposite side, installing Wedge Plate to Blocking.
3. Connect Wiring (by others) at Handy Box [E]. Install Wall Mounting Plate [A] to Wedge Plate [B] using (4x) #8-32 set screws [B] on each side (by ALW).



ICETUBE (RPD04) VOLTAGE DROP CHART FOR REMOTE DRIVERS - WHITE OR RGB LED, 24VDC

For best performance, ensure proper wire gauge is installed between the remote LED driver and canopy that is dropping power to your fixture. This chart is only an estimate, actual values may vary due to environmental conditions, wire quality, etc. Do not use this chart to calculate voltage drop for other fixtures.

WIRE GAUGE	20W 0.83A	30W 1.25A	40W 1.67A	50W 2.08A	60W 2.50A	70W 2.92A	80W 3.33A	90W 3.75A	100W 4.17A
18 AWG	55 ft.	35 ft.	25 ft.	20 ft.	17 ft.	15 ft.	13 ft.	12 ft.	10 ft.
16 AWG	85 ft.	55 ft.	40 ft.	35 ft.	30 ft.	25 ft.	20 ft.	18 ft.	16 ft.
14 AWG	135 ft.	90 ft.	65 ft.	55 ft.	45 ft.	40 ft.	33 ft.	30 ft.	26 ft.
12 AWG	210 ft.	140 ft.	105 ft.	85 ft.	70 ft.	60 ft.	53 ft.	46 ft.	42 ft.
10 AWG	335 ft.	225 ft.	165 ft.	135 ft.	110 ft.	95 ft.	85 ft.	75 ft.	67 ft.