

IMPORTANT SAFETY INSTRUCTIONS

When installing or using this suspended fixture basic safety precautions should be followed

Read ALL INSTRUCTIONS before installing fixture.

- This fixture is intended for installation in accordance with the National Electric Code and Local and State Codes and must be installed by a licensed electrical contractor.
- DANGER - RISK OF SHOCK AND FIRE - DISCONNECT POWER BEFORE INSTALLATION

CLARA (CLA) SUSPENDED

INSTALLATION INSTRUCTIONS

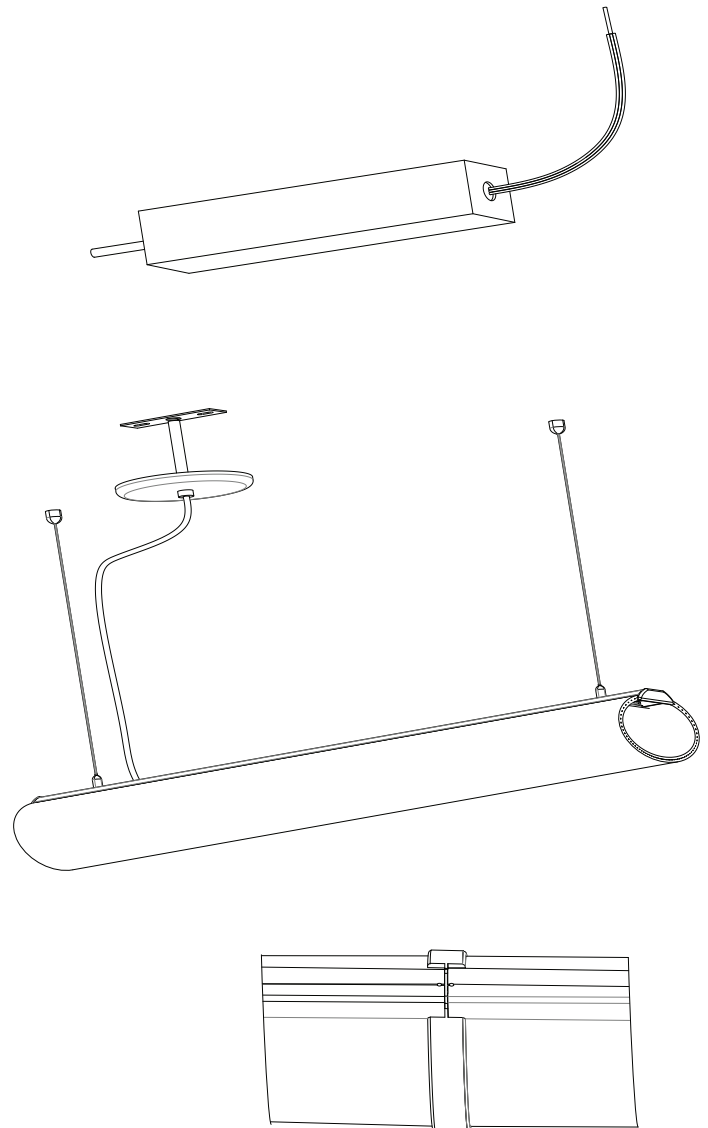
TYPICAL INSTALLATION

ALWAYS FOLLOW APPLICABLE BUILDING CODES WHEN INSTALLING ANY LIGHT FIXTURE. DUE TO PRODUCT VARIATIONS AND CONFIGURATIONS, THESE INSTRUCTIONS SERVE ONLY AS A GENERAL GUIDE.

REFER TO FACTORY PROVIDED SUBMITTALS FOR DETAILS

INSTRUCTIONS:

1. TURN OFF POWER at fuse box before proceeding.
 2. Remove REMOTE DRIVER ENCLOSURE and SUSPENSION KIT parts. Set parts aside.
 3. To joining multiple fixtures together, join segments together together using the joiner(s) provided. Install the joiner between fixture sections using a 6-32 screw to secure joiner to fixture. NOTE: there are no end caps.
 4. Install REMOTE DRIVER ENCLOSURE to building structure and connect to BUILDING POWER using U.L. approved wire connectors. Connect the neutral (white) to the supply neutral. Connect the line wire (black) to the supply line wire. Connect ground wire(s) (green) to ground wire. Push excess wires into the REMOTE DRIVER ENCLOSURE.
 5. Install remaining CABLE SUSPENSION HARDWARE to surface. Mounting method must support 50 lbs. Secure CANOPY BRACKET to BUILDING WIRE JBOX.
 6. While supporting the fixture, attach AIRCRAFT CABLE to installed CABLE GRIPPER and adjust height so fixture is level. Joined fixtures may require adjustment if screws loosens during installation
 7. Insert POWER FEED through FINIAL, CANOPY, & CANOPY BRACKET. Connect POWER FEED to REMOTE DRIVER ENCLOSURE using provided connectors or U.L. approved wire connectors.
- DO NOT CONNECT BUILDING POWER TO LED POWER FEED. PERMANENT LED DAMAGE, RISK OF FIRE AND ELECTROCUTION WILL RESULT.
8. Push wires into JBOX and secure CANOPY with FINIAL. (DO NOT PINCH THE WIRES BETWEEN THE PARTS)
 9. Turn On Power



CLARA (CLA) SURFACE-MOUNT

INSTALLATION INSTRUCTIONS

TYPICAL INSTALLATION

ALWAYS FOLLOW APPLICABLE BUILDING CODES WHEN INSTALLING ANY LIGHT FIXTURE. DUE TO PRODUCT VARIATIONS AND CONFIGURATIONS, THESE INSTRUCTIONS SERVE ONLY AS A GENERAL GUIDE.

REFER TO FACTORY PROVIDED SUBMITTALS FOR DETAILS

INSTRUCTIONS:

1. TURN OFF POWER at fuse box before proceeding.
2. Install REMOTE DRIVER ENCLOSURE to building structure and connect to BUILDING POWER using U.L. approved wire connectors. Attach white, black, green (add'l may apply if dimming) using connectors provided.
3. Push excess wire into fixtures (DO NOT PINCH THE WIRES).
4. Bring conduit to ½" conduit entry on fixture from building structure and attach building power using UL approved wire connectors. Connect the fixture's neutral (WHITE) to the supply neutral, connect the fixture's line wire (BLACK) to the supply line wire. Fasten ground wire.
5. Push excess wires into the fixture.
6. Install mounting screws in mounting holes. Mounting screws must support 50 lbs, use blocking as needed.
7. Verify fixture orientation is correct.
8. Turn on power.

