

INSTALLATION INSTRUCTIONS

HYLYTR WALL GRAZER



IMPORTANT SAFETY INSTRUCTIONS

When installing or using this recessed fixture basic safety precautions should be followed

Read ALL INSTRUCTIONS before installing fixture.

- This fixture is intended for installation in accordance with the National Electric Code and Local and State Codes and must be installed by a licensed electrical contractor.
- DO NOT INSTALL THIS FIXTURE IN DAMP LOCATIONS.
- DO NOT INSTALL FIXTURE WITHOUT A MINIMUM 1/2 INCH CLEARANCE ALL AROUND THE FIXTURE. ENSURE CLEARANCE AT TOP OF CHANNEL IS 3 INCHES.
- THIS FIXTURE IS FOR INSTALLATION IN NON INSULATED CEILINGS ONLY.
- To prevent electrical shock, turn off electricity at fuse box before installing the fixture.
- Turn off power and allow fixture to cool down before adjusting position of lamp gimbals.
- Use AWG#12 wire only for supply to the fixture.

INSTALLATION INSTRUCTIONS

HYLYTR WALL GRAZER

TYPICAL INSTALLATION

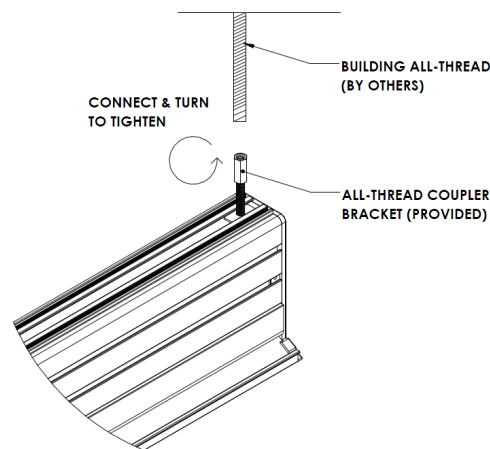
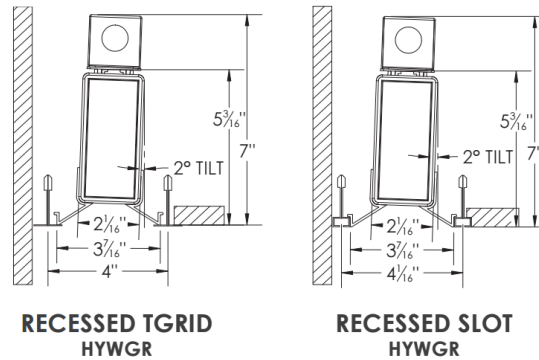
ALWAYS FOLLOW APPLICABLE BUILDING CODES WHEN INSTALLING ANY LIGHT FIXTURE. DUE TO PRODUCT VARIATIONS AND CONFIGURATIONS, THESE INSTRUCTIONS SERVE ONLY AS A GENERAL GUIDE.

REFER TO FACTORY PROVIDED SUBMITTALS FOR DETAILS

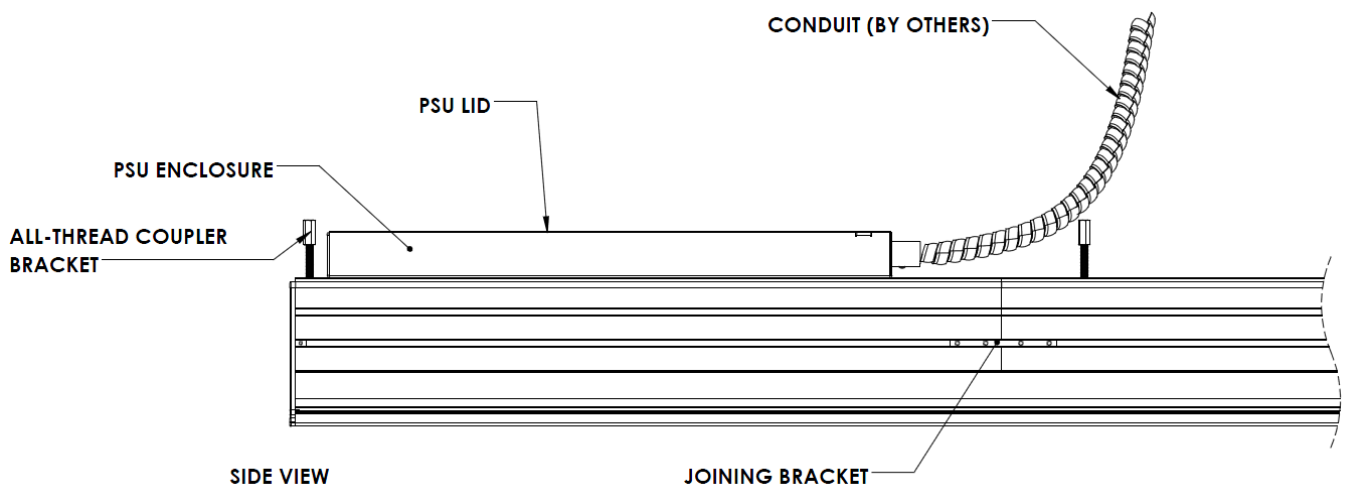
GRID/WALLBOARD

INSTRUCTIONS:

1. DISCONNECT power at fuse box before installation of fixture.
2. Remove lid from power supply assembly and locate powerfeed knockout that connects to building wire. Set parts aside.
3. Locate wall and orient fixture to ensure correct tilt angle (aperture opening to face wall). "HYLYT" glic "X VY U" ghW_YFXYWUfjb["HY k U" "X]YW]cb"
4. When placing into GRID ceiling, ensure correct grid dimensions per diagrams to the right.
5. SUPPORT unit to structure via All-Thread Coupler bracket supplied by ALW.
6. If joining multiple sections together, insert joining bracket into middle slot on both connecting sections and proceed to tighten set screw.
7. Located building conduit (by others) and connect to power supply and splice power connections within enclosure per submittal drawing electrical callouts.
8. Push wires into enclosure and secure lid onto enclosure using supplied screws.
9. Turn on power



ALL-THREAD COUPLER:
ALWAYS USE ALL-THREAD COUPLER TO SUPPORT STRUCTURE. UNITS ARE NOT SUPPORTED BY GRID



INSTALLATION INSTRUCTIONS

HYLYTR WALL GRAZER

TYPICAL INSTALLATION

ALWAYS FOLLOW APPLICABLE BUILDING CODES WHEN INSTALLING ANY LIGHT FIXTURE. DUE TO PRODUCT VARIATIONS AND CONFIGURATIONS, THESE INSTRUCTIONS SERVE ONLY AS A GENERAL GUIDE.

REFER TO FACTORY PROVIDED SUBMITTALS FOR DETAILS

Perimeter Detail

INSTRUCTIONS:

1. Mount the perimeter bracket to the wall surface using the provided screws.

2. Insert the L-extrusion into the perimeter bracket.

3. Mount the Hylytr Wall Grazer fixture to the L-extrusion using the provided screws.

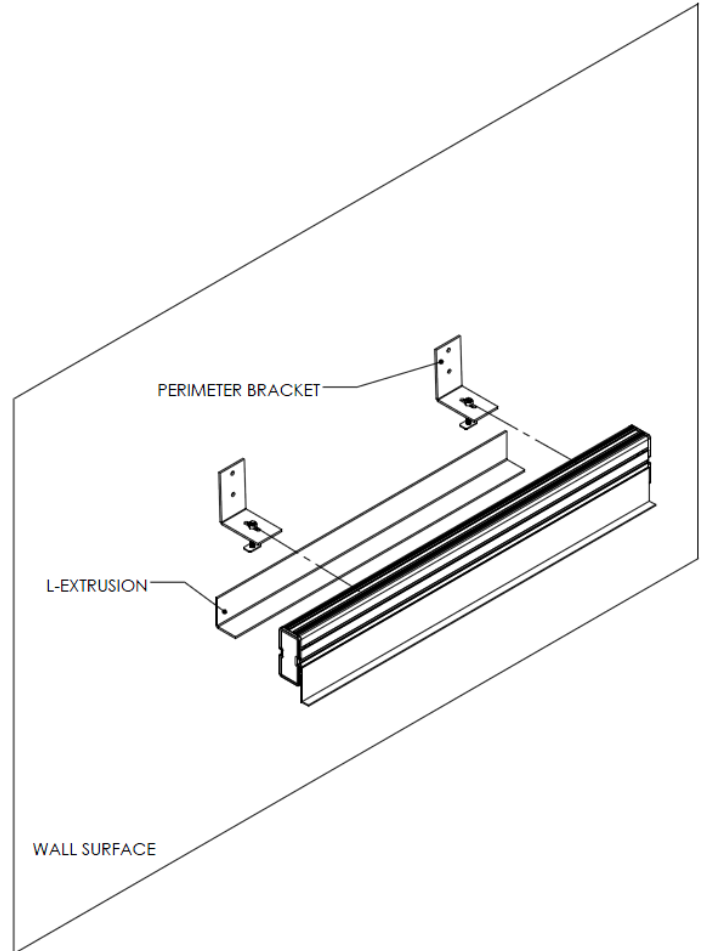
4. Adjust the fixture height and angle as needed.

5. Verify the fixture is securely mounted and level.

6. Test the fixture operation.

7. Refer to the factory provided submittals for additional details.

8.



TRGRID CEILING