

LIGHTPLANE 3.5RWL

LP3.5RWL | RECESSED, WET LOCATION

STANDARD SIZES

3.5" Aperture
Configurable in straight run sections
Longest Uninterrupted Length: 4' / Longest Joined Length: 8'

LAMPING

LED - Direct - 80/90 CRI - 3000K/3500K/4000K
Output Options: LOW/MED/HI/DECOR/Tunable White/RGB/RGB+W
Dimming down to 0%

FINISH

Aluminum, White, Black, Silver, Brass, RAL Classic Colors

CONSTRUCTION

Industrial Strength Extruded 6060-T5 Aluminum
IP66 Rated





PRODUCT SUBMITTAL WORKSHEET

SAMPLE PRODUCT CODE

LP3.5RWL – S8 – HI/90/3500 – 0/10V/S – EXT/F – AL – UNV – EMB/1 – PH/1
1 2 3 4 5 6 7 8A 8B

1. BASE MODEL

■ **LP3.5RWL** 3.5" Recessed Direct, Wet Location *(Requires a finished surface opening to exact dimensions. Consult ALW for alternatives).*

2. LENGTH

■ **S__** Individual/Straight Run Section *(enter length between 2-8ft, ex. S5)*

**Sections are NOT field-joinable. Longest uninterrupted length is 4'. Longest joined length is 8'. Disassembling fixture will VOID warranty and compromise IP rating.
 Lengths are nominal and may vary based on lamping and other specification selections. Consult ALW when exact lengths are required.

3. LED LAMPING (CHOOSE ONE UNDER A, B, & C, AS NECESSARY)

A. OUTPUT

- LOW**
- MED**
- HI**
- DECOR**
- TUNE**
- RGB**
- RGBW** (80CRI, 4000K White)

B. CRI¹

- 80**
- 90**

C. CCT²

- 3000K**
- 3500K**
- 4000K**

DELIVERED LUMENS (LM/FT)	WATTS (W/FT)	EFFICACY (LM/W)
See page 5 for complete details.		Up to 70 lm/W

¹CRI not applicable for DECOR, TUNE, RGB, or RGBW lamping.
²CCT not applicable for TUNE, RGB, or RGBW lamping.

4. DRIVER (CHOOSE ONE)

- 0/10V/S** 0-10V dimming down to 5% (Standard Dimming – Down to 10% for DECOR and TUNE lamping)
- 0/10V/1%** 0-10V dimming down to 1%
- 0/10V/0%** 0-10V premium dimming down to 0%
- DALI** DALI flicker-free dimming down to 0%
- DMX** DMX flicker-free dimming down to 0% (Recommended for RGB or RGBW lamping)
- ECOSYS1** Lutron Hi-Lume 1% EcoSystem, constant current or constant voltage
- ECOSYS5** Lutron 5-Series 5% EcoSystem, constant current (Compatible only with LOW, MED, and HI lamping)


**Driver specifications provided upon request to assist with control system integration.*

5. LENS

■ **EXT/F** Extra diffuse, flush



6. FINISH (CHOOSE ONE)

- AL** Natural Anodized Aluminum (Standard Finish)
- BK** Black Powder Coat
- BRS** Brass Metallic Powder Coat
- SV** Silver Powder Coat
- WH** White Powder Coat
- WH/AM**  White Antimicrobial Powder Coat (for healthcare environments)
- RAL_____** Specify RAL Classic Color code (ex: RAL3003) ralcolorchart.com/ral-classic

7. VOLTAGE (CHOOSE ONE)

- UNV** Universal Voltage (120VAC-277VAC)
- 347** 347 Volt (*Driver options may be limited*)

8. ADDITIONAL OPTIONS (OPTIONAL – CHOOSE ONE UNDER A & B IF DESIRED)

A. EMERGENCY OPTIONS

- EMB/___³** Emergency Battery (*indicate quantity – each battery powers 4ft with a delivered lumen output of 1000lm*)
- EMC/___³** Emergency Circuit (*indicate quantity of 4ft sections to be illuminated by emergency circuit*)

³For fixtures under 4ft in length, entire fixture will be illuminated with a proportional lumen output. Consult ALW for available options.

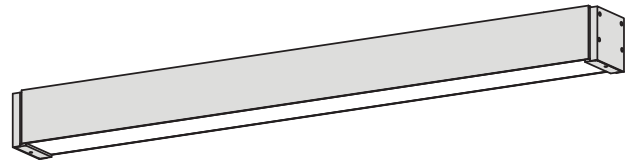
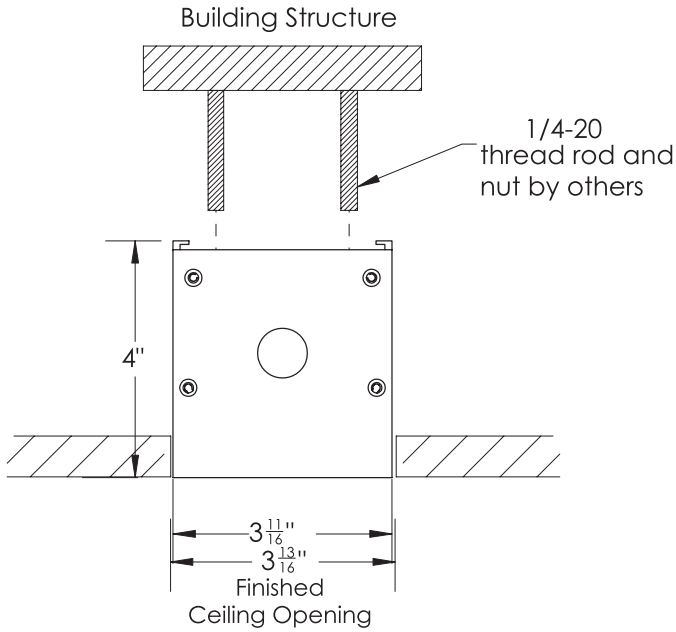
B. SENSOR OPTIONS (COMPATIBLE ONLY WITH 0-10V DRIVERS)

- ENLGH/___⁴** Enlighted® remote smart sensor (*occupancy, daylight, networking, and more*)
- OS/___** 0-10V remote occupancy sensor
- PH/___** 0-10V remote photocell/daylight sensor

⁴Enlighted® Gateway and Energy Manager (by others) plus programming required. Learn more at enlightedinc.com.



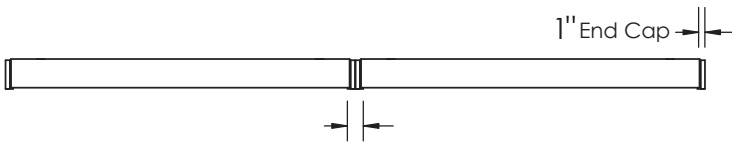
MOUNTING DIAGRAMS & DIMENSIONS



LP3.5RWL

Lens is flush with ceiling, but end cap extends below ceiling plane, as shown.

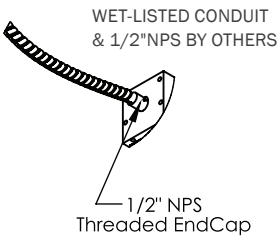
END CAP & FACTORY JOINER ASSEMBLY



2—5/16" FACTORY JOINER ASSEMBLY

(Not Lensed)

POWER FEED



STANDARD -- Power feeds out from end of fixture through the end cap. Consult factory if alternative is required.

SS092818-A.0



PERFORMANCE DETAILS – LED LAMPING

OUTPUT	DELIVERED LUMENS (LM/FT)	WATTS (W/FT)	EFFICACY (LM/W)	CRI OPTIONS	CCT OPTIONS
LOW ⁵	517	7.4	70	80 90	3000K 3500K 4000K
MED	689	9.8	70		
HI ⁵	861	12.2	70		
DECOR ⁵	252	5.9	43	N/A	2700K-5700K
TUNE ^{5,7}	574	8.2	70		
RGB ⁷	Color-Changing RGB	5	N/A	80	N/A
RGBW ⁷	Color-Changing RGB + White	5			4000K

⁵Performance calculations are based on data of MED output at 80 CRI and 3500K. LOW and HI calculations are extrapolated values.

⁶Performance calculations are extrapolated estimates for mid-range CCTs. Cooler and warmer CCTs with provide lower delivered lumens (i.e. lower lm/W, higher W/lf).

⁷DMX driver recommended; controller not included.



ADDITIONAL OPTIONS & SPECIFICATIONS

ELECTRICAL PERFORMANCE

LED drivers are Class 2, $L_{70} > 54,000$ hours.
80+ CRI. Luminous flux +/- 5%.

LENS

Extruded, twin-layered, high-impact acrylic. EXT/F is a white, extra diffuse flush lens with minimal- to no-source-visibility.

HOUSING

100% recyclable, extruded architectural grade 6060-T5 aluminum with a 0.08" minimum wall thickness.

SAFETY & REGULATORY

ETL Listed (U.S. & Canada). Suitable for wet locations.
Conforms to UL std. 1598, Luminaires.
Certified to CSA std. C22.2#250.0:2008 Ed. 3+G1;G2.

OPERATING CONDITIONS

Luminaire should be installed and operated ONLY in environments where the ambient temperature ranges from -4 °F to 122 °F (-20 °C to 50 °C). Luminaire operation in environments outside the listed temperature range voids the warranty AND may damage the product or adversely impact lamp life, lumen output and color consistency.

WARRANTY

Limited 5-year warranty. Details: alwusa.com/warranty

IP RATING

IP 6 6

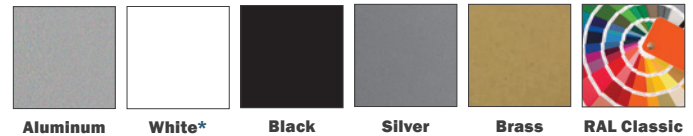
SOLID OBJECT INGRESS LEVEL	WATER INGRESS LEVEL
6	6
Dust tight	Protected against powerful water jets and heavy seas

SENSOR OPTIONS

Optional, occupancy detection (OS) and/or daylight harvesting (PS) sensor available. Or upgrade to an optional Enlighted® Smart Sensor (ENLGHT) for additional capabilities. Contact ALW for details.

FINISH

Standard finish is "Ultimate" aluminum — a smooth, clean, and durable finish achieved from a deep etch and two-step clear anodizing process. Other options are shown below.



*For healthcare environments, a white antimicrobial finish (WH/AM) is also available.