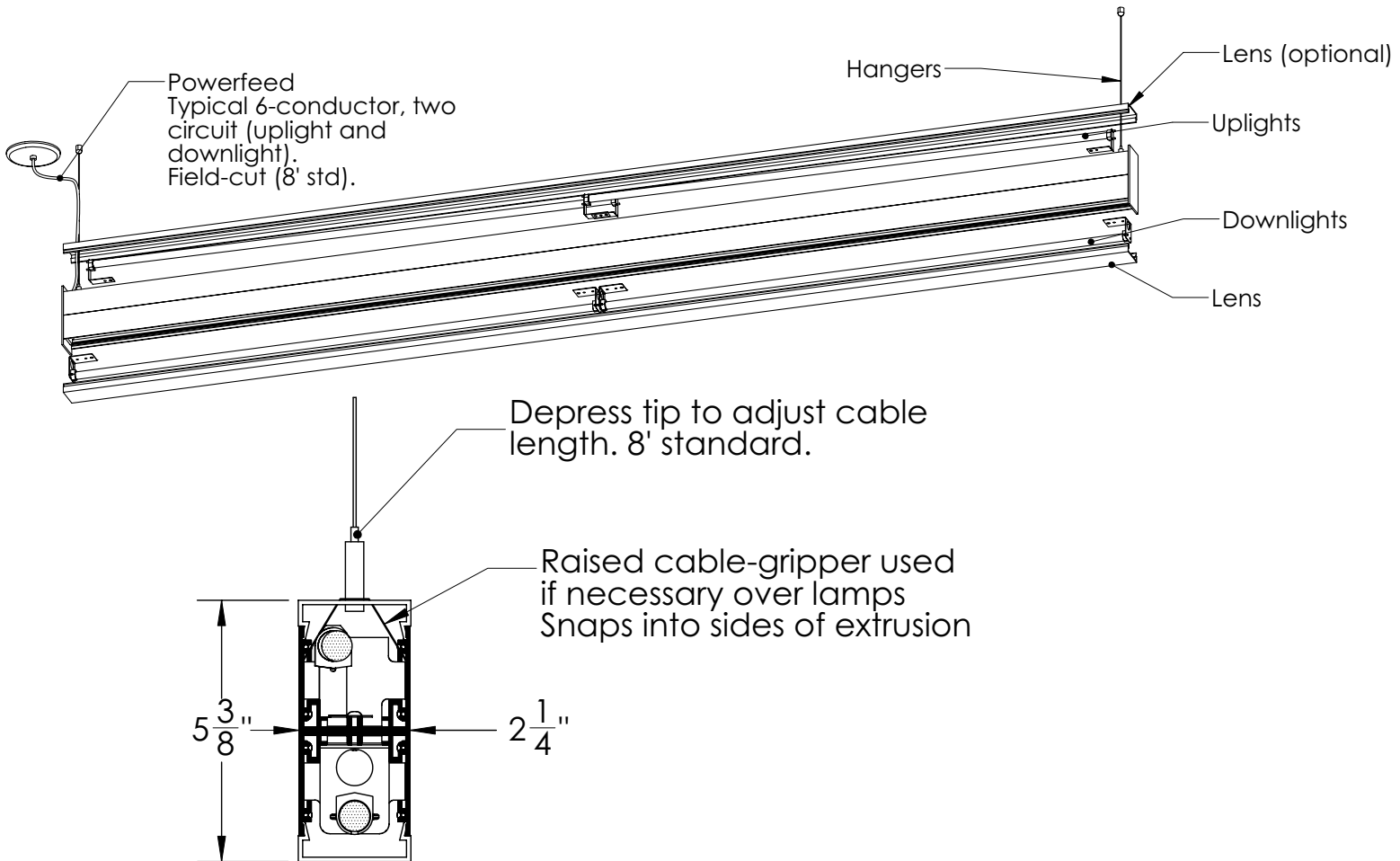


# Lightplane 2 Up & Under (LP2UU) INSTALLATION INSTRUCTIONS

Always follow applicable building codes when installing any light fixture. Due to product variations, these instructions serve only as a general guide. Call the factory for additional guidance if required.



## Installation (ensure all power is off).

- Plan support by using factory supplied drawings to ensure proper blocking and/or support is in place. (See cable suspension examples to the right.)
- Install cable suspension hardware to surface. Mounting method must support 50lbs. Install canopy bracket to building wire box.
- Run supplied powerfeed and supplied canopy to 4-0 Jbox in ceiling.
- Make electrical connections inside Jbox making sure to follow appropriate labels. Consult factory drawings. Only qualified personnel should make electrical connections.
- Attach canopy plate over Jbox.
- Re-supply power and test switching, dimming control.

