

LIGHTPLANE 1 ROUND Suspended and Wall Mounted - RLP1S & RLP1W

Installation Instructions



IMPORTANT SAFETY INSTRUCTIONS

When installing or using this suspended fixture basic safety precautions should be followed

Read ALL INSTRUCTIONS before installing fixture.

- This fixture is intended for installation in accordance with the National Electric Code and Local and State Codes and must be installed by a licensed electrical contractor.
- DO NOT INSTALL THIS FIXTURE IN WET LOCATIONS.
- DANGER - RISK OF SHOCK AND FIRE - DISCONNECT POWER BEFORE INSTALLATION

- Lift the entire fixture up to cables and insert cables into CABLE GRIPPER.
(The Cable Grippers will automatically hold the inserted cable)
- Wire the power cord with suitable wire nuts at the junction box and mount the power canopy
- Readjust the suspension cable as desired at the cable gripper to shorten and level the fixture.
- IMPORTANT - Cut Excess suspension cable slack at the grip lock after adjusted to desired height.

SAVE THESE INSTRUCTIONS

LIGHTPLANE 1 ROUND Suspended - RLP1S

Installation Instructions

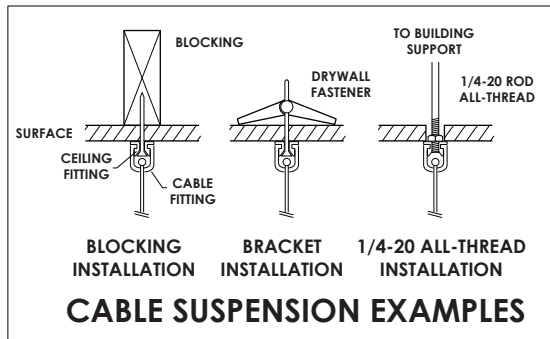


NOTICE:

For proper installation, have a qualified electrician install this product. Before installation of any luminaire onto an electrical junction box, be sure to disconnect power. This luminaire must be wired and grounded in accordance with the National Electrical Code, local codes, and ordinances. Wire supply connections must be made with UL or ETL approved connectors. Check that luminaire voltage and building voltage are the same.

CAUTION:

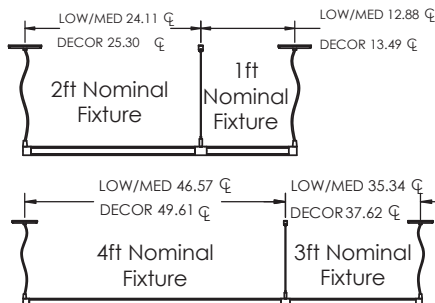
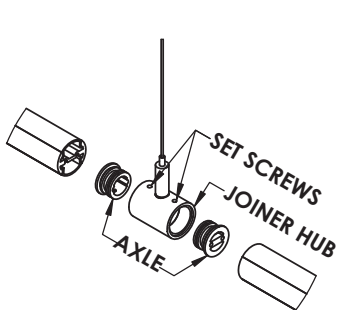
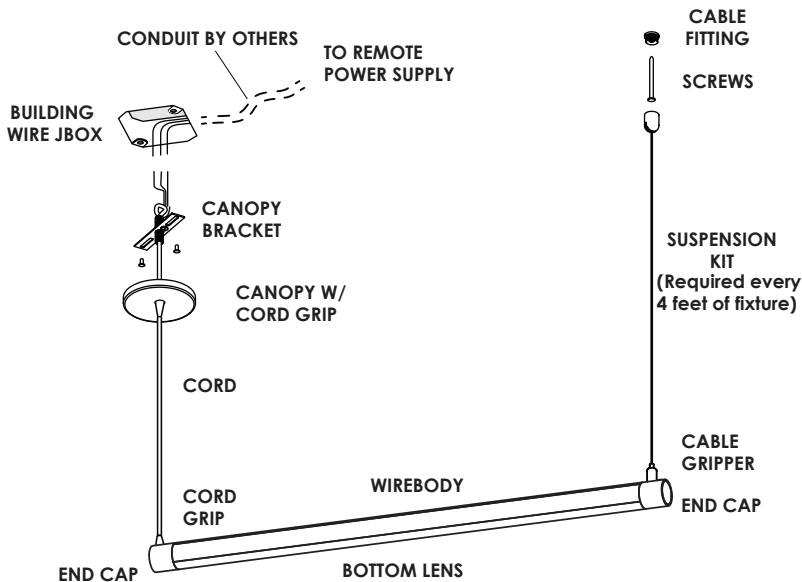
EXERCISE SPECIAL CARE AND SAFETY WHILE INSTALLING AND SERVICING LUMINARY. USE OF SOFT GLOVES AND PADDED MATERIALS ARE RECOMMENDED DURING HANDLING TO AVOID MARRING THE FINISH.



INSTRUCTION:

1. TURN OFF POWER at fuse box before proceeding. Remove REMOTE DRIVER ENCLOSURE and SUSPENSION KIT parts.
2. If Joining multiple fixtures together use JOINER HUB. Attach AXLE onto extrusion using screws. Slip JOINER HUB over AXLE part and rotate fixture to desired angle. Fix position and JOINER HUB to fixture using SET SCREWS.
3. Install REMOTE DRIVER ENCLOSURE to building structure and Attach BUILDING POWER using U.L. approved wire connectors: Connect the neutral (white) to the supply neutral, connect the line wire (black) to the supply line wire. Fasten ground wire(s) (green) to supply ground wire. Push excess wire into the REMOTE DRIVER ENCLOSURE.
4. Remove the CABLE GRIPPER from SUSPENSION KIT and connect it to WIREBODY. (DO NOT PINCH THE WIRES BETWEEN THE PARTS)
5. Install remaining CABLE SUSPENSION HARDWARE to surface. Mounting method must support 50lbs. Install CANOPY BRACKET to BUILDING WIRE JBOX.
6. While supporting the WIREBODY, Attach SUSPENSION KIT cable to installed CABLE GRIPPER and adjust height so fixture is leveled.
7. Insert CORD through FINIAL, CANOPY, & CANOPY BRACKET. Attach CORD to REMOTE DRIVER using disconnect (Provided) or using U.L. approved wire connectors.
8. Push wires into JBOX & secure CANOPY with FINIAL. (DO NOT PINCH THE WIRES BETWEEN THE PARTS)
9. Install COVERS and LENS(S)
10. Turn On Power

DO NOT CONNECT BUILDING POWER TO LED CORD. PERMANENT LED DAMAGE, RISK OF FIRE AND ELECTROCUTION WILL RESULT.



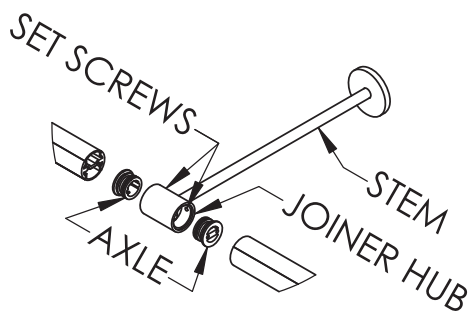
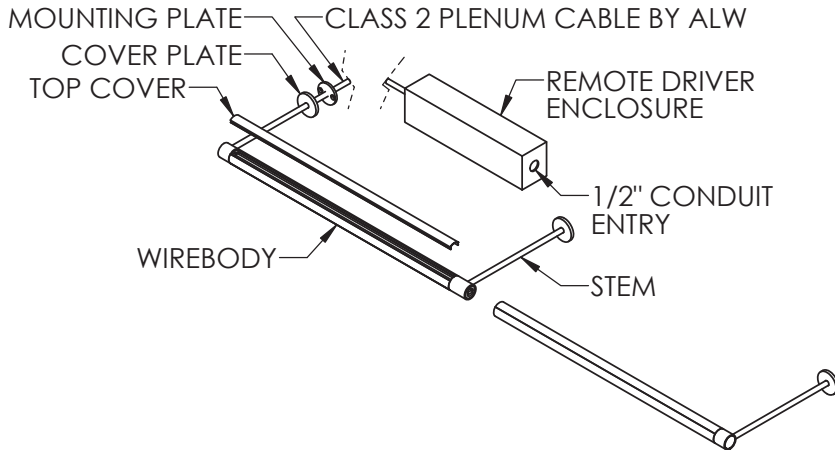
JOINING MULTIPLE SUSPENDED FIXTURES

SUSPENSION SPACING

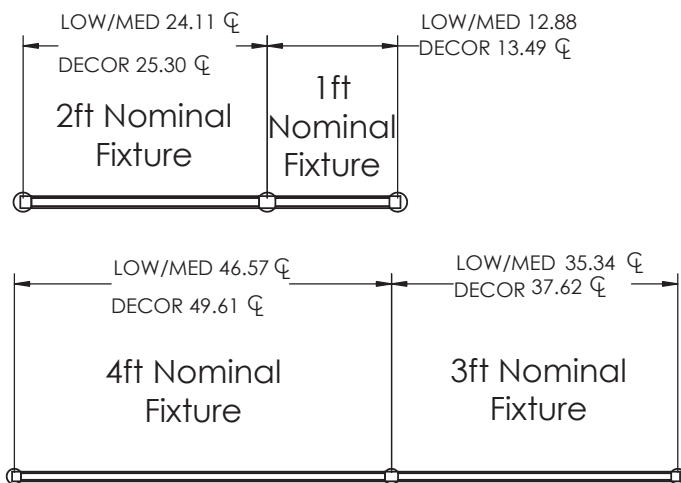
LIGHTPLANE 1 ROUND Wall Mounted

- RLP1W

Installation Instructions



JOINING MULTIPLE WALL MOUNTED FIXTURES



WALL MOUNT SPACING

INSTRUCTION:

1. TURN OFF POWER at fuse box before proceeding. Remove REMOTE DRIVER ENCLOSURE and WALL MOUNT parts.
2. Install REMOTE DRIVER ENCLOSURE to building structure and Attach BUILDING POWER using U.L. approved wire connector: Connect the neutral (white) to the supply neutral, connect the line wire (black) to the supply line wire. Fasten ground wire(s) (green) to ground wire. Push excess wires into the REMOTE DRIVER ENCLOSURE.
3. Slide COVER PLATE on STEM. Thread MOUNTING PLATE to STEM and thread STEM to JOINER HUB.
4. Attach the MOUNTING PLATE to the surface. Thread COVER PLATE onto MOUNTING PLATE.
5. Install COVERS and LENS(S).
6. Connect PLENUM CABLE to REMOTE DRIVER ENCLOSURE.
7. Turn on Power.
8. Aim fixture and tighten SET SCREWS.

DO NOT CONNECT BUILDING POWER TO LED CORD. PERMANENT LED DAMAGE, RISK OF FIRE AND ELECTROCUTION WILL RESULT.

MAINTENANCE:

1. Remove LENS to access lamps.
2. To remove LENS, use thin blade tool.

LIGHTPLANE 1 ROUND - RLP1S / RLP1W

Remote Driver Details



NOTICE:

For proper installation, have a qualified electrician install this product. Before installation of any luminary onto an electrical junction box, be sure to disconnect power. This luminary must be wired and grounded in accordance with the National Electrical Code, local codes, and ordinances. Wire supply connections must be made with U.L. or ETL approved connectors. Check that luminary voltage and building voltage are the same.

CAUTION:

EXERCISE SPECIAL CARE AND SAFETY WHILE INSTALLING AND SERVICING LUMINARY. USE OF SOFT GLOVES AND - PADDED MATERIALS ARE RECOMMENDED DURING HANDLING TO AVOID MARRING THE FINISH.

Remote Driver Distance Limitations:

Driver Type	Wire Gauge	
	18**	w/EM*
Dimmable 0-10V	75FT	10FT
DALI	72FT	10FT
DMX	72FT	10FT
Lutron Hilume A Series L3D/LTE	22FT	7FT

* With Emergency Battery Pack.

**For other wire gauge consult factory.