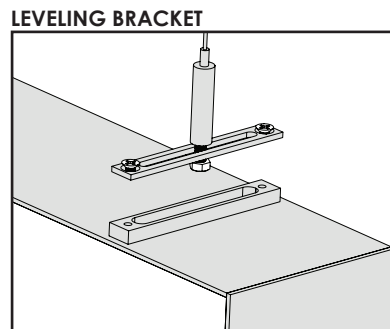
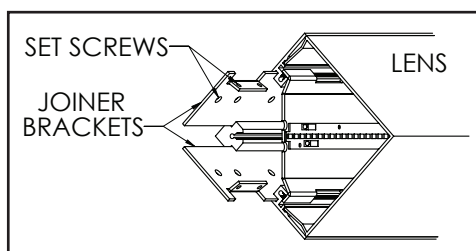
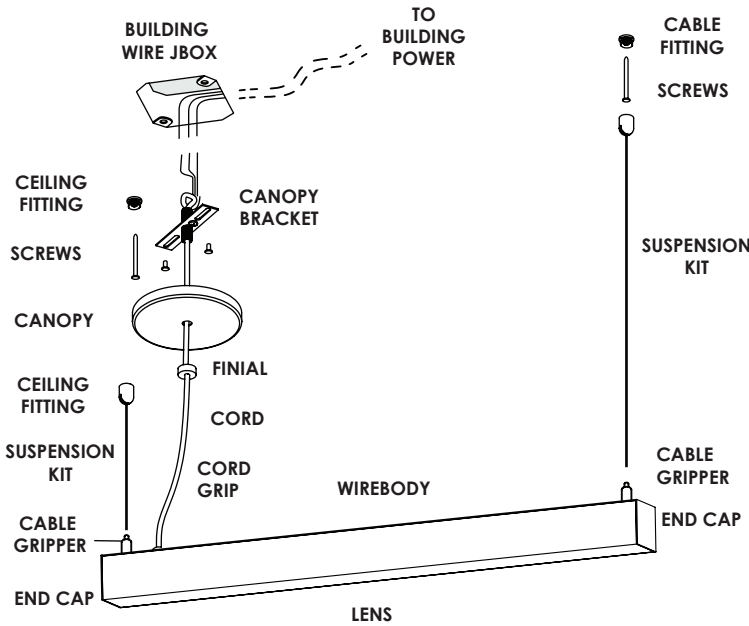
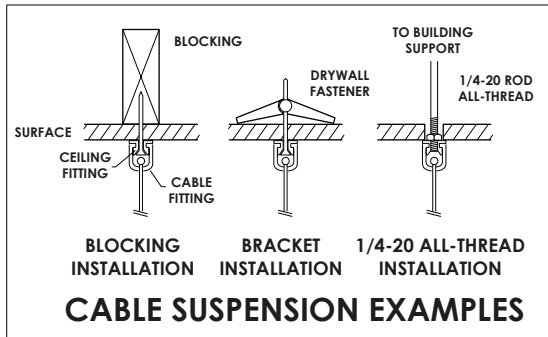


NOTICE:

For proper installation, have a qualified electrician install this product. Before installation of any luminaire onto an electrical junction box, be sure to disconnect power. This luminaire must be wired and grounded in accordance with the National Electrical Code, local codes, and ordinances. Wire supply connections must be made with UL or ETL approved connectors. Check that luminaire voltage and building voltage are the same.

CAUTION:

Exercise special care and safety while installing and servicing luminaire. Use of soft gloves and padded materials during handling are recommended to avoid marring the finish.



INSTRUCTIONS

1. TURN OFF POWER at fuse box before proceeding.
2. If joining multiple fixtures, remove LENS and REFLECTOR, and loosen set screws on JOINER BRACKETS. Connect wires between fixtures using connectors provided (if needed) and push excess wire into fixtures. DO NOT PINCH WIRES BETWEEN THE PARTS. Join sections together and secure joined fixtures with the JOINER BRACKET set screws. (Maintenance note: Removing the LENS and REFLECTOR will allow access to ballasts/drivers.)
3. Install CANOPY BRACKET and connect the neutral (white) to the supply neutral, connect the line wire (black) to the supply line wire. Fasten ground wire(s) (green) to ground wire. Push excess wires into the BUILDING WIRE J-BOX.
4. Remove CABLE GRIPPER from SUSPENSION KIT and connect to WIREBODY. (DO NOT PINCH WIRES BETWEEN PARTS).
5. Install remaining CABLE SUSPENSION HARDWARE to surface. Mounting method must support 50lbs. Install CANOPY BRACKET to BUILDING WIRE J-BOX.
6. While supporting the WIREBODY, attach SUSPENSION KIT cable to installed CABLE GRIPPER and adjust height so fixture is leveled. Adjust CABLE GRIPPER position on LEVELING BRACKET so that fixture is properly balanced. Joined fixtures may require adjustment of JOINER BRACKETS if connection loosens during installation.
7. Insert CORD through FINIAL, CANOPY & CANOPY BRACKET. Attach CORD to DRIVER using UL approved wire connectors.
8. Push wires into J-BOX and secure CANOPY with FINIAL. (DO NOT PINCH WIRES BETWEEN PARTS).
9. Install Lens(es).
10. Turn Power ON.