

IMPORTANT SAFETY INSTRUCTIONS

When installing or using this suspended fixture basic safety precautions should be followed

Read ALL INSTRUCTIONS before installing fixture.

- This fixture is intended for installation in accordance with the National Electric Code and Local and State Codes and must be installed by a licensed electrical contractor.
- DO NOT INSTALL THIS FIXTURE IN WET LOCATIONS.
- DANGER - RISK OF SHOCK - DISCONNECT POWER BEFORE INSTALLATION

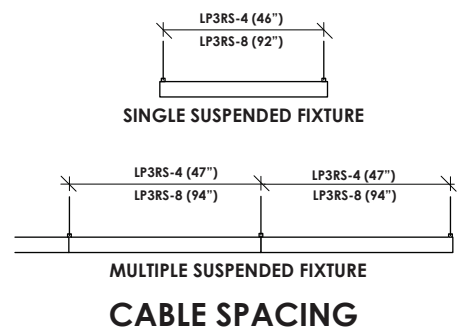
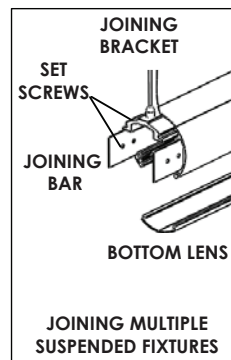
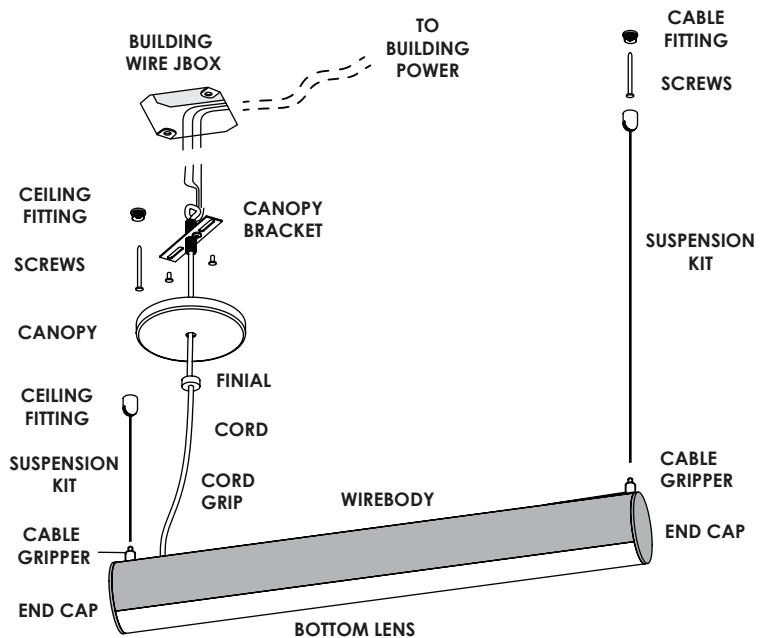
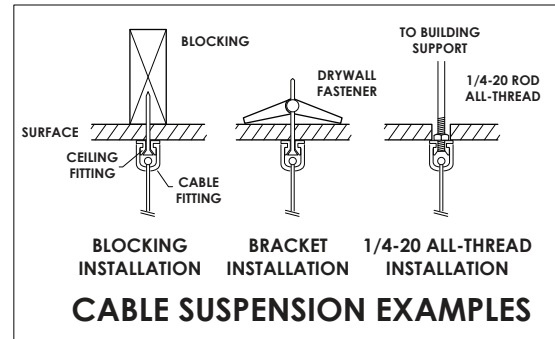
TYPICAL INSTALLATION

ALWAYS FOLLOW APPLICABLE BUILDING CODES WHEN INSTALLING ANY LIGHT FIXTURE. DUE TO PRODUCT VARIATIONS AND CONFIGURATIONS, THESE INSTRUCTIONS SERVE ONLY AS A GENERAL GUIDE.

REFER TO FACTORY PROVIDED SUBMITTALS FOR DETAILS.

INSTRUCTIONS:

1. Turn off power at fuse box before proceeding.
2. If joining multiple fixtures together, slide top joining bracket and center between ends of wirebody. Remove the bottom lens and reflector and loosen the set screws on joining bar hardware to extend BAR and secure the two wirebodies. Connect wires between fixtures using connectors provided (if needed) and push excess wire into fixtures. Do not pinch the wirebodies between the parts. Join segments together and secure joined fixtures with the joining bar and top joining bracket. Set screw. (Maintenance note: Removing the bottom lens and reflector will allow access to LED drivers.)
3. Install canopy bracket and connect the neutral (white) to the supply neutral; connect the line wire (black) to the supply line wire. Fasten ground wire(s) (green) to ground wire. Push excess wires into the building wire JBOX.
4. Remove cable gripper from suspension kit and connect it to the wirebody. (Do not pinch the wires between the parts.)
5. Install remaining cable suspension hardware to surface. Mounting method must support 50lbs. Install canopy bracket to building wire JBOX.
6. While supporting the wirebody, attach suspension kit cable to installed cable gripper and adjust height so fixture is leveled. Joined fixtures may require adjusting joining bars if connection loosens during installation.
7. Insert cord through finial, canopy, and canopy bracket. Attach cord to remote driver using disconnected (provided) or using UL approved wire connectors.
8. Push wires into JBOX and secure canopy with finial. (Do not pinch the wires between the parts.)
9. Install covers and lens(s).
10. Turn on power.



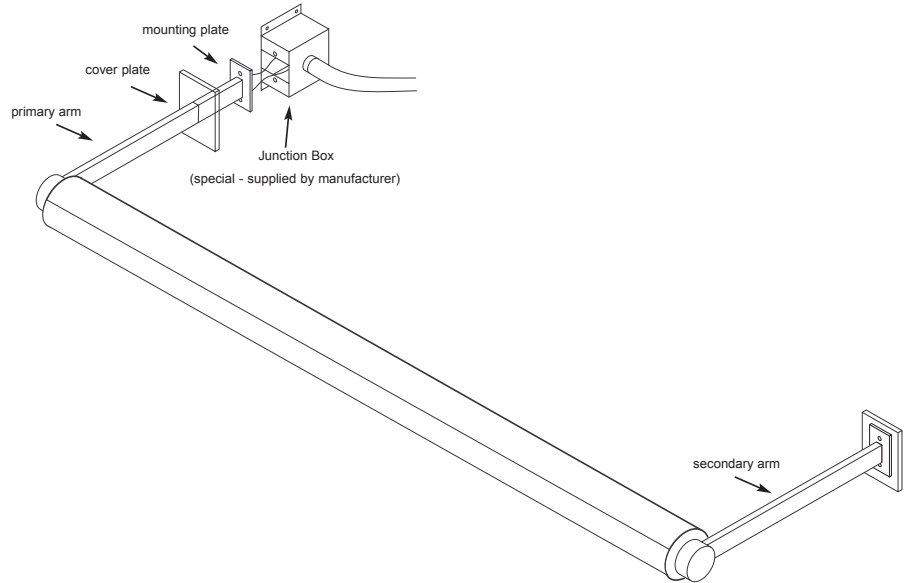
TYPICAL INSTALLATION

ALWAYS FOLLOW APPLICABLE BUILDING CODES WHEN INSTALLING ANY LIGHT FIXTURE. DUE TO PRODUCT VARIATIONS AND CONFIGURATIONS, THESE INSTRUCTIONS SERVE ONLY AS A GENERAL GUIDE.

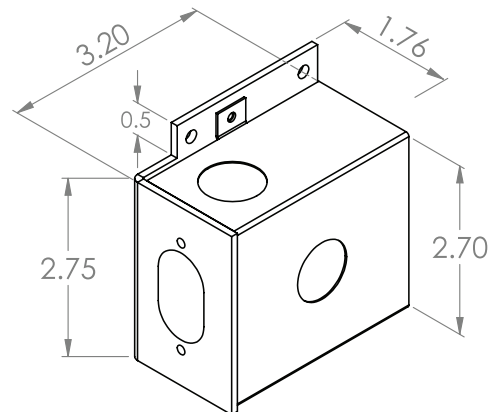
REFER TO FACTORY PROVIDED SUBMITTALS FOR DETAILS.

INSTRUCTIONS:

1. Ensure that supply power is off.
2. Install Junction Box:
 - Fixtures specified with "JBOX2" are provided with a custom, mini-JBOX. These should be securely fastened to a stud in such a way that it will support the load of the fixture.
 - Fixtures specified with "JBOX4" are intended to be installed to standard 4" JBOX(es), provided by others. JBOX(es) should be suitable for load-bearing.
3. Adequate load-bearing support for secondary arm is necessary. Prepare location with blocking if required.
4. Install fixture arm assemblies to fixture endcaps as shown in diagram. Secure with provided set-screws.
5. Access mounting plate fastener holes by sliding wall cover-plates away from mounting plates. The Cover plates are held in place on the mounting plates by Velcro and can be pulled away.
6. Using appropriately approved wire connectors, connect line voltage supply wires to fixture power wires. If applicable, connect low-voltage fixture dimming wires to low-voltage control system wires.
7. Position Fixture/Arm assembly over JBOX so that mounting plate holes of primary arm line up with JBOX holes and secure the primary arm mounting plate to JBOX using provided fasteners. Secure secondary arm mounting plate to substrate of wall or ceiling surface.
8. Reposition mounting plate covers.



Junction Box Dimensions (by ALW)



*J-Box to Mounting Plate screws provided by ALW.