



# RECESSED LYTESPOT

RCS | RECESSED

## STANDARD SIZES

1, 2, and 3 downlight models  
Trim and Trimless options

## LAMPING

LED - 3000K/3500K/4000K  
Downlight Output: 800-4000 lumen options (80-90+ CRI)  
Dimming down to 0%

## FINISH

Aluminum, White, Black, RAL Classic Colors

## CONSTRUCTION

Industrial Strength 20 Gauge Cold Rolled Steel Housing





# PRODUCT SUBMITTAL WORKSHEET

## SAMPLE PRODUCT CODE

**RCS1 – DL2900/3500/40 – HEXSNT – 0/10V/1% – 1 – AL/BK/AL – UNV – EMC/1 – OS/1**

1                      2                      3                      4                      5                      6                      7A                      7B

### 1. BASE MODEL

- RCS1**            1-Light, Trimless
- RCS2**            2-Light, Trimless
- RCS3**            3-Light, Trimless
- RCST1**          1-Light, Trim
- RCST2**          2-Light, Trim
- RCST3**          3-Light, Trim

### 2. DOWNLIGHT (ONE UNDER A, C, & D)

- |   |  |  |   |
|---|--|--|---|
| <b>A. SPOT</b><br><input type="checkbox"/> <b>DL800</b><br><input type="checkbox"/> <b>DL1000</b><br><input type="checkbox"/> <b>DL1500</b><br><input type="checkbox"/> <b>DL1800</b><br><input type="checkbox"/> <b>DL2200</b><br><input type="checkbox"/> <b>DL2600</b><br><input type="checkbox"/> <b>DL2900</b><br><input type="checkbox"/> <b>DL3300</b><br><input type="checkbox"/> <b>DL3500</b><br><input type="checkbox"/> <b>DL4000</b> | <b>B. CRI</b><br><input checked="" type="checkbox"/> <b>80</b> | <b>C. CCT</b><br><input type="checkbox"/> <b>3000K</b><br><input type="checkbox"/> <b>3500K</b><br><input type="checkbox"/> <b>4000K</b> | <b>D. BEAM SPREAD</b><br><input type="checkbox"/> <b>25</b><br><input type="checkbox"/> <b>40</b> |
|---|--|--|---|

DELIVERED LUMENS (LM)	WATTS (W)	EFFICACY (LM/W)
See page 5 for complete details.		Up to 167 lm/W

### 3. DRIVER (CHOOSE ONE)

- 0/10V/S**        0-10V dimming down to 5% (Standard Dimming)
- 0/10V/1%**      0-10V dimming down to 1%
- 0/10V/0%**      0-10V premium dimming down to 0%
- DALI**            DALI flicker-free dimming down to 0%
- DMX**            DMX flicker-free dimming down to 0% (Not available for DL4000 or 3x DL3500)
- ECOSYS1**        Lutron Hi-lume 1% EcoSystem, constant current or constant voltage (Not available for DL3500 or DL4000)
- ECOSYS5**        Lutron 5-Series 5% EcoSystem, constant current (Not available for DL3500 or DL4000)

*\*Driver options may be limited with DL800 and DL1000 single spotlights. Driver specifications provided upon request to assist with control system integration.*

### 4. ACCESSORY – DOWNLIGHT (CHOOSE ONE)

- NONE**            None
- HEX**             Hexcell Louver
- SNT**             Snoot
- HEXSNT**        Both Hexcell louver and Snoot





---

## 5. FINISH (CHOOSE ONE)

---

- AL/AK/AL** Aluminum Trim, Aluminum Interior, Aluminum Gimbal Rings
- AL/BK/AL** Aluminum Trim, Black Interior, Aluminum Gimbal Rings
- BK/BK/BK** Black Trim, Black Interior, Black Gimbal Rings
- BK/BK/AL** Black Trim, Black Interior, Aluminum Gimbal Rings
- WH/WH/WH** White Trim, White Interior, White Gimbal Rings
- WH/WH/AL** White Trim, White Interior, Aluminum Gimbal Rings
- WH/AM**  White antimicrobial powder coat for healthcare environments
- RAL\_\_\_\_\_** Specify RAL Classic Color code (ex: RAL3003) [ralcolorchart.com/ral-classic](http://ralcolorchart.com/ral-classic)

\*Heat sinks are not painted. For trimless models, disregard trim color and select color code based upon interior and gimbal ring color.

---

## 6. VOLTAGE (CHOOSE ONE)

---

- UNV** Universal Voltage (120VAC-277VAC)
- 347** 347 Volt (Model/Driver options may be limited)

---

## 7. ADDITIONAL OPTIONS (OPTIONAL – CHOOSE ONE UNDER A & B, IF DESIRED)

---

### A. EMERGENCY OPTIONS

- EMB** Emergency Battery (1 EMB supplied for 1 accent downlight, per fixture – consult ALW for more details)

### B. SENSOR OPTIONS (COMPATIBLE ONLY WITH 0-10V DRIVERS)

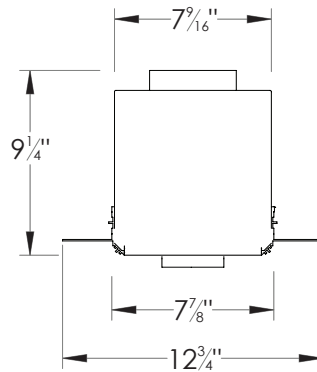
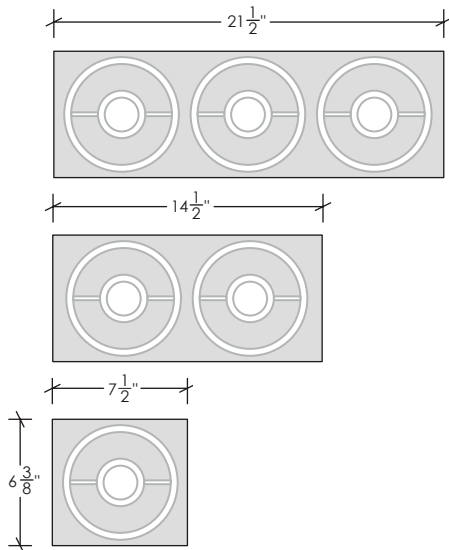
- ENLGH/1<sup>1</sup>** Enlighted® remote smart sensor (occupancy, daylight, networking, and more) – Compatible with LP9SM1, LP9WE1
- OS/1** 0-10V remote occupancy sensor
- PH/1** 0-10V remote photocell/daylight sensor

<sup>1</sup>Enlighted® Gateway and Energy Manager (by others) plus programming required. Learn more at [enlightedinc.com](http://enlightedinc.com).



## MECHANICAL DIAGRAMS – MOUNTING & DIMENSIONS

### RCS TRIMLESS (FINISHED INSTALL DIMENSIONS)



#### RCS CUT OUT DIMENSIONS:

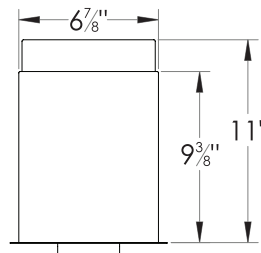
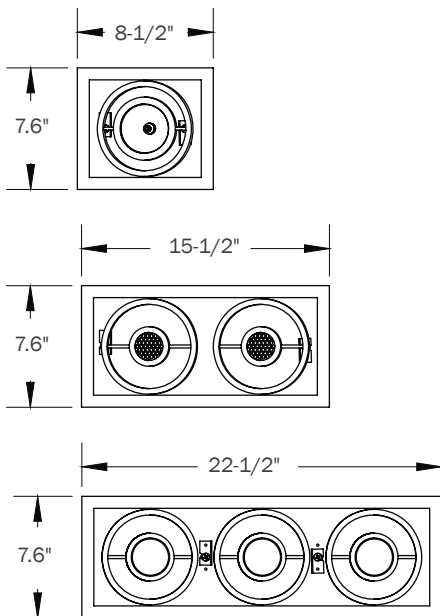
RCS1\* = 6 3/4" W X 8 13/16" L

RCS2\* = 6-3/4" W X 15 3/16" L

RCS3\* = 6-3/4" W X 22 3/16" L

\*MUD-IN FLANGE SITS BEHIND DRYWALL

### RCST TRIM (FINISHED INSTALL DIMENSIONS)



#### RCST CUT OUT DIMENSIONS:

RCST1 = 6-3/4" W X 8 3/16" L

RCST2 = 6-3/4" W X 15 3/4" L

RCST3 = 6-3/4" W X 22 3/4" L



## PERFORMANCE DETAILS – DOWNLIGHT LAMPING

SPOT	DELIVERED LUMENS (LM)	WATTS (W)	EFFICACY (LM/W)	CRI	CCT OPTIONS	BEAM SPREAD OPTIONS (DEGREES)
<b>DL800</b>	800	4.8	167	80	3000K 3500K 4000K	25 40
<b>DL1000</b>	1000	6.1	164			
<b>DL1500</b>	1500	9.7	155			
<b>DL1800</b>	1800	18.3	95	90		
<b>DL2200</b>	2200	23.1	95			
<b>DL2600</b>	2600	28.4	90			
<b>DL2900</b>	2900	32.5	89			
<b>DL3300</b>	3300	38.7	84			
<b>DL3500</b>	3500	43.2	81			
<b>DL4000</b>	4000	51.2	78			



\*Performance calculations are based on 80 CRI/3500K for DL800-DL1500, and 90 CRI/3500K for DL1800-DL4000.

**DL800**  
**DL1000**  
**DL1500**



**DL1800**  
**DL2200**  
**DL2600**  
**DL2900**



**DL3300**  
**DL3500**  
**DL4000**





## ADDITIONAL OPTIONS & SPECIFICATIONS

### ELECTRICAL PERFORMANCE

LED drivers are Class 2.  
80+ CRI. Luminous flux +/- 5%.

### LINEAR LENS

White opal acrylic with minimal- to no-source-visibility.

### HOUSING

20 gauge cold rolled steel housing. Black standard interior.

### SAFETY & REGULATORY

ETL Listed (U.S. & Canada). Suitable for dry or damp locations.

*For Integral Driver:*

Conforms to UL std. 1598, Luminaires.

Certified to CSA std. C22.2#250.0:2008 Ed. 3+G1;G2.

*For Remote Driver:*

Conforms to UL std. 2108, Low Voltage Luminaires / Low Voltage Lighting Systems.

Certified to CSA std. C22.2#9.0:1996 Ed. 1+S1.

### OPERATING CONDITIONS

Luminaire should be installed and operated ONLY in dry or damp locations where the ambient temperature ranges from -4 °F to 122 °F (-20 °C to 50 °C). Luminaire operation in environments outside the listed temperature range voids the warranty AND may damage the product or adversely impact lamp life, lumen output and color consistency.

### WARRANTY

Limited 5-year warranty. Details: [alwusa.com/warranty](http://alwusa.com/warranty)

### SENSOR OPTIONS

Optional, occupancy detection (OS) and/or daylight harvesting (PS) sensor available. Or upgrade to an optional Enlighted® Smart Sensor (ENLGHT) for additional capabilities. Contact ALW for details.

### FINISH

Standard finish is "Ultimate" aluminum — a smooth, clean, and durable finish achieved from a deep etch and two-step clear anodizing process. Other options are shown below.



Aluminum



White\*



Black



RAL Classic

\*For healthcare environments, a white antimicrobial finish (WH/AM) is also available.