

### IMPORTANT SAFETY INSTRUCTIONS

When installing or using this recessed fixture basic safety precautions should be followed

Read ALL INSTRUCTIONS before installing fixture.

- This fixture is intended for installation in accordance with the National Electric Code and Local and State Codes and must be installed by a licensed electrical contractor.
- DO NOT INSTALL THIS FIXTURE IN DAMP LOCATIONS.
- DO NOT INSTALL FIXTURE WITHOUT A MINIMUM 1/2 INCH CLEARANCE ALL AROUND THE FIXTURE. ENSURE CLEARANCE AT TOP OF CHANNEL IS 3 INCHES.
- THIS FIXTURE IS FOR INSTALLATION IN NON INSULATED CEILINGS ONLY.
- To prevent electrical shock, turn off electricity at fuse box before installing the fixture.
- Turn off power and allow fixture to cool down before adjusting position of lamp gimbals.
- Use AWG#12 wire only for supply to the fixture.

# INSTALLATION INSTRUCTIONS

## Recessed Lytespot

### TYPICAL INSTALLATION

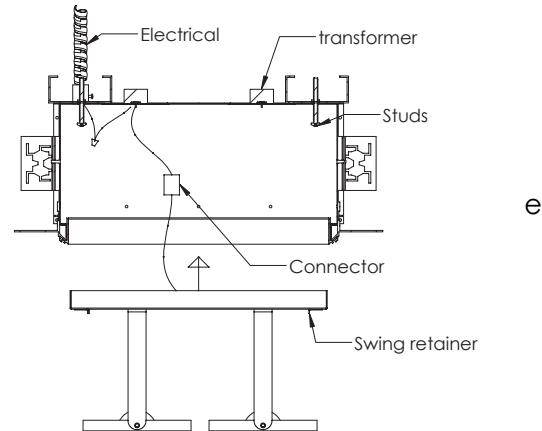
ALWAYS FOLLOW APPLICABLE BUILDING CODES WHEN INSTALLING ANY LIGHT FIXTURE. DUE TO PRODUCT VARIATIONS AND CONFIGURATIONS, THESE INSTRUCTIONS SERVE ONLY AS A GENERAL GUIDE.

REFER TO FACTORY PROVIDED SUBMITTALS FOR DETAILS

### TRIMLESS

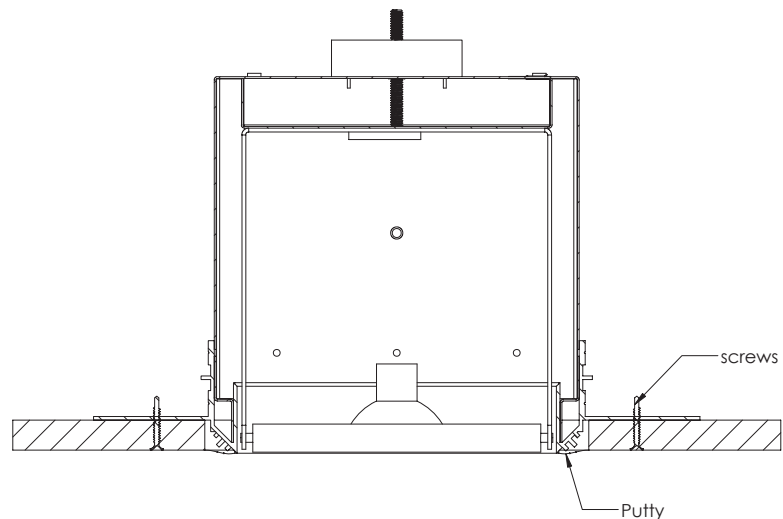
#### INSTRUCTION:

1. TURN OFF POWER at fuse box before installing fixture.
2. Remove inner plate and modules.
3. Use supplied butterfly brackets or fasten directly to blocking studs with screws
4. Bring electrical into housing through KO
5. Connect power to drivers.
6. Ensure connector to inner housing is secure
7. Raise inner housing up into inner box and secure swing retainers over studs
8. Install ceiling board up to fixtures mounting flanges.
9. Drill screws through ceiling board through flanges.
10. Putty up to the edge of the flanges and over screws to finish
9. Turn On Power



**SUPPORT TO STRUCTURE MUST BE PROVIDED VIA BLOCKING, HANGING WIRE OR THREADED ROD USING BUTTERFLY BRACKETS**

**TRIMLESS INSTALLATION: DRYWALL IS IN FRONT OF "MUD WINGS", TAPE AND PUTTY TO EDGES. NO METAL SHOULD BE EXPOSED ON DRYWALL.**



# INSTALLATION INSTRUCTIONS

## Recessed Lytespot

### TYPICAL INSTALLATION

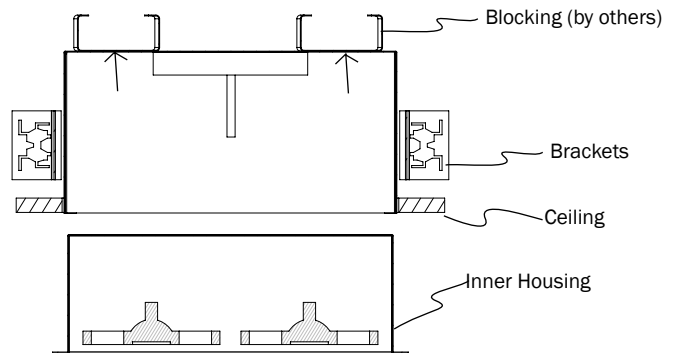
ALWAYS FOLLOW APPLICABLE BUILDING CODES WHEN INSTALLING ANY LIGHT FIXTURE. DUE TO PRODUCT VARIATIONS AND CONFIGURATIONS, THESE INSTRUCTIONS SERVE ONLY AS A GENERAL GUIDE.

REFER TO FACTORY PROVIDED SUBMITTALS FOR DETAILS

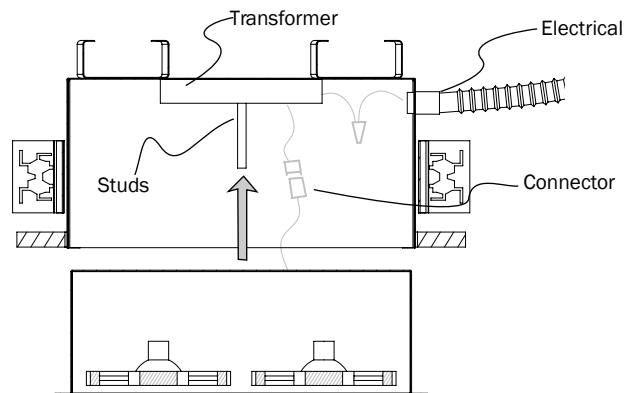
### TRIM

#### INSTRUCTION:

1. TURN OFF POWER at fuse box before installing fixture.
2. Remove inner housing.
3. Use supplied butterfly brackets or fasten directly to blocking studs with screws
4. Bring electrical into housing through KO
5. Connect power to drivers.
6. Ensure connector to inner housing is secure
7. Affix inner housing up into outer housing using studs
8. Turn On Power



**SUPPORT TO STRUCTURE MUST BE PROVIDED VIA BLOCKING, HANGING WIRE OR THREADED ROD USING BUTTERFLY BRACKETS**



Lytespot	Cut out dims
RCST-1	6-3/4"w x 8"L
RCST-2	6-3/4"w x 15"L
RCST-3	6-3/4"w x 22"L