

INSTALLATION INSTRUCTIONS

Lightplane 9



Page 1 of 3

IMPORTANT SAFETY INSTRUCTIONS

When installing or using this suspended fixture basic safety precautions should be followed

Read ALL INSTRUCTIONS before installing fixture.

- This fixture is intended for installation in accordance with the National Electric Code and Local and State Codes and must be installed by a licensed electrical contractor.
- DANGER - RISK OF SHOCK AND FIRE - DISCONNECT POWER BEFORE INSTALLATION

INSTALLATION INSTRUCTIONS

Lightplane 9

TYPICAL INSTALLATION

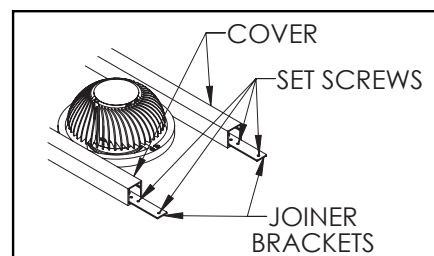
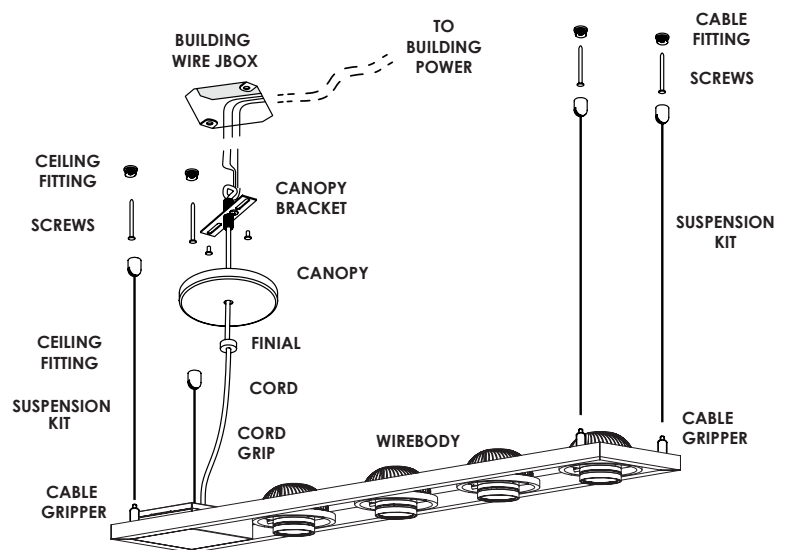
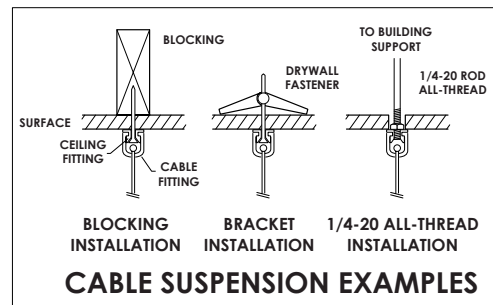
ALWAYS FOLLOW APPLICABLE BUILDING CODES WHEN INSTALLING ANY LIGHT FIXTURE. DUE TO PRODUCT VARIATIONS AND CONFIGURATIONS, THESE INSTRUCTIONS SERVE ONLY AS A GENERAL GUIDE.

REFER TO FACTORY PROVIDED SUBMITTALS FOR DETAILS

Suspended

INSTRUCTION:

1. TURN OFF POWER at fuse box before proceeding.
2. If joining multiple fixtures together, remove COVERS and loosen the set screws on JOINER BRACKETS. Connect wires between fixtures using connectors provided (if needed) and push excess wire into fixtures. DO NOT PINCH WIRES BETWEEN THE PARTS. Join sections together and secure joined fixtures with the JOINER BRACKET set screws. (Maintenance note: Removing the Ballast Box Cover will allow access to ballasts/drivers.)
3. Install CANOPY BRACKET and connect the neutral (white) to the supply neutral, connect the line wire (black) to the supply line wire. Fasten ground wire(s) (Green) to ground wire. Push excess wires into the BUILDING WIRE JBOX.
4. Remove CABLE GRIPPER from SUSPENSION KIT and connect it to WIREBODY.
5. Install remaining CABLE SUSPENSION HARDWARE to surface. Mounting method must support 50lbs. Install CANOPY BRACKET to BUILDING WIRE JBOX.
6. While Supporting the WIREBODY, Attach SUSPENSION KIT cable to installed CABLE GRIPPER and adjust height so fixture is leveled. Joined fixtures may require adjusting JOINER BRACKETS connection loosens during Installation.
7. Insert CORD through FINIAL, CANOPY, & CANOPY BRACKET. Attach CORD to REMOTE DRIVER using disconnect (Provided) or using UL approved wire connectors.
8. Push wires into JBOX & secure CANOPY with FINIAL.
9. Install COVERS.
10. Turn On Power



INSTALLATION INSTRUCTIONS

Lightplane 9

TYPICAL INSTALLATION

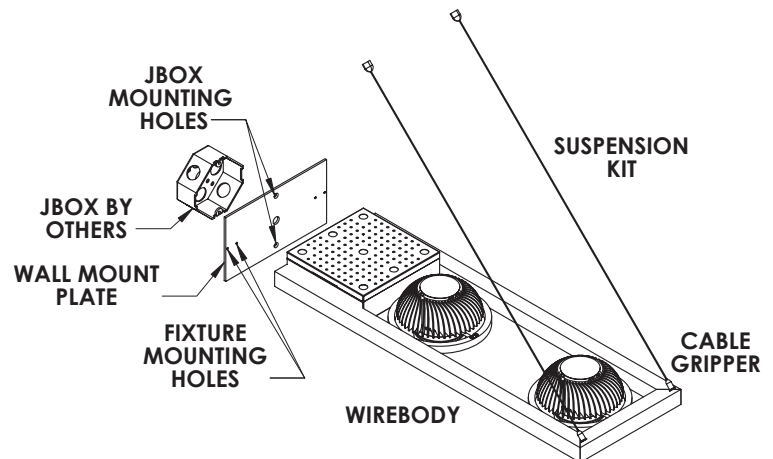
ALWAYS FOLLOW APPLICABLE BUILDING CODES WHEN INSTALLING ANY LIGHT FIXTURE. DUE TO PRODUCT VARIATIONS AND CONFIGURATIONS, THESE INSTRUCTIONS SERVE ONLY AS A GENERAL GUIDE.

REFER TO FACTORY PROVIDED SUBMITTALS FOR DETAILS

Wall:

INSTRUCTION:

1. TURN OFF POWER at fuse box before proceeding.
2. Mount WALL MOUNT PLATE to the WIREBODY using the supplied screws and the FIXTURE MOUNTING HOLES. (DO NOT PINCH WIRES BETWEEN THE PARTS)
3. Bring building wires to fixture from JBOX and attach building power using U.L. approved wire connectors: Connect neutral (white) to the supply neutral, connect the line wire (black) to the supply line wire. Fasten ground wire(s) (green) to ground wire. Push excess wires into the fixture.
4. Bring assembled fixture to the wall, push excess wires into JBOX, and mount to the JBOX (installed by others) using the JBOX MOUNTING HOLES with the supplied screws. (DO NOT PINCH WIRES BETWEEN THE PARTS)
5. If fixture requires suspension tie-back, remove CABLE GRIPPER from SUSPENSION KIT and connect it to WIREBODY. (DO NOT PINCH WIRES BETWEEN THE PARTS)
6. While supporting WIREBODY, attach SUSPENSION KIT cable to installed CABLE GRIPPER and adjust height so that fixture is leveled. Angle tie-back to wall at 30°-45° nominally.
7. Turn on power



A Universal Mounting bracket is supplied
2 additional holes are to the drywall/blocking behind.
2x 1" L 8/32 screws