



LIGHTPLANE 5R

LP5R | RECESSED

STANDARD SIZES

5" Aperture
Configurable in linear shapes and straight run sections

LAMPING

LED - 80/90 CRI - 3000K/3500K/4000K
Output Options: LOW/MED/HI/DECOR/Tunable White/RGB/RGB+W
Dimming down to 0%
Accent Downlights Available (800/1000/1500LM Output Options)

FINISH

Anodized Aluminum, White, Black, Silver, Brass, RAL Classic Colors

CONSTRUCTION

Industrial Strength Extruded 6061 Aluminum





PRODUCT SUBMITTAL WORKSHEET

SAMPLE PRODUCT CODE

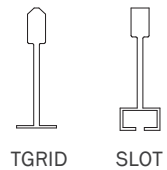
LP5RT – DRY – S5 – MED/90/3500 – 0/10V/S – EXT/F – DL1000/80/3500/25 – HEX – 0/10V/S – 1 – WH – UNV – EMB/1 – OS/1
 1 2 3 4 5 6 7A 7B 7C 7D 8 9 10 11 12 13A 13B

1. BASE MODEL (CHOOSE ONE)

- LP5RT** 5" Trimmed with Flush Lens
- LP5RTRL** 5" Trimmed with Regressed Lens
- LP5RMUD** 5" Trimless, Mud-in with Flush Lens (Compatible only with DRY ceiling type)
- LP5RHF** 5" Trimless, Hidden-flange with Flush Lens (Not compatible with DRY ceiling type)

2. CEILING TYPE (CHOOSE ONE – ADDITIONAL CEILING TYPES MAY BE AVAILABLE, CONTACT ALW)

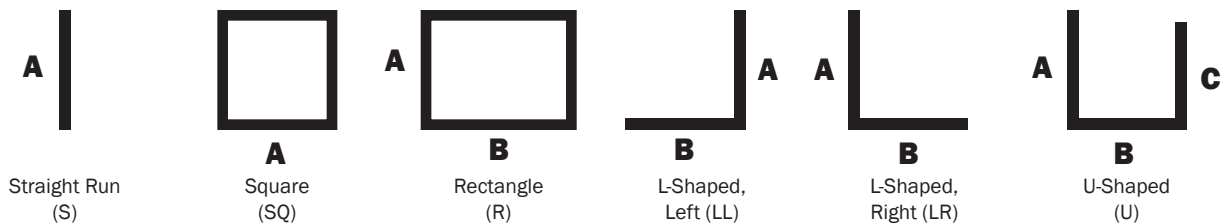
- DRY** Drywall
- TGRID** T-Grid
- SLOT** Slot
- ATZ/TGRID** Armstrong® Techzone T-Grid
- ATZ/SLOT** Armstrong® Techzone Slot



3. SHAPE/LENGTH (CHOOSE ONE & ENTER LENGTH IN FEET – FOR CUSTOM ANGLES, CONTACT ALW)

- S__** Individual/Straight Run Section (enter length, ex. S5)
- SQ__** Square Configuration (enter side length A, ex: SQ5)
- R_ _** Rectangular Configuration (enter side lengths A and B, ex. R5-7)
- LL_ _** L-Shaped, Left Configuration (enter side lengths A and B, ex. LL5-7)
- LR_ _** L-Shaped, Right Configuration (enter side lengths A and B, ex. LR5-7)
- U_ _ _** U-Shaped Configuration (enter side lengths A, B, and C, ex. U5-7-4)

*Lengths are nominal and may vary based on lamping and other specification selections. Consult ALW when exact lengths are required.





4. LED LAMPING – PRIMARY (CHOOSE ONE UNDER A, B, & C)

- A. OUTPUT**
- LOW**
- MED**
- HI**
- DECOR**
- TUNE**
- RGB**
- RGBW** (80CRI, 4000K)
- B. CRI¹**
- 80**
- 90**
- C. CCT²**
- 3000K**
- 3500K**
- 4000K**

| DELIVERED LUMENS (LM/FT) | WATTS (W/FT) | EFFICACY (LM/W) |
|----------------------------------|--------------|-----------------|
| See page 6 for complete details. | | Up to 80 lm/W |

¹CRI not applicable for DECOR, TUNE, RGB, or RGBW lamping.
²CCT not applicable for TUNE, RGB, or RGBW lamping.

5. DRIVER – PRIMARY (CHOOSE ONE)

- 0/10V/S** 0-10V dimming down to 5% (Standard Dimming – Down to 10% for DECOR and TUNE)
- 0/10V/1%** 0-10V dimming down to 1%
- 0/10V/0%** 0-10V premium dimming down to 0%
- DALI** DALI flicker-free dimming down to 0%
- DMX** DMX flicker-free dimming down to 0% (Recommended for RGB or RGBW lamping)
- ECOSYS1** Lutron Hi-lume 1% EcoSystem, constant current or constant voltage
- ECOSYS5** Lutron 5-Series 5% EcoSystem, constant current (Compatible only with LOW, MED, and HI lamping)

*Driver specifications provided upon request to assist with control system integration.

6. LENS – PRIMARY

- EXT/F** Extra diffuse, flush lens

7. ACCENT – DOWNLIGHT (CHOOSE NONE OR ONE UNDER A, C, & D)

- N** None. Select when accent downlight lamping is not desired.

- A. SPOT**
- DL800**
- DL1000**
- DL1500**
- B. CRI**
- 80**
- C. CCT**
- 3000K**
- 3500K**
- 4000K**
- D. BEAM SPREAD**
- 25**
- 40**

| DELIVERED LUMENS (LM) | WATTS (W) | EFFICACY (LM/W) |
|----------------------------------|-----------|-----------------|
| See page 6 for complete details. | | Up to 167 lm/W |

8. ACCESSORY – ACCENT DOWNLIGHT (CHOOSE ONE)

- N** None
- HEX** Hexcell Louver
- SNT** Snoot
- HEXSNT** Both Hexcell Louver and Snoot



9. DRIVER – ACCENT DOWNLIGHT (SELECT NONE OR SAME DRIVER AS STEP 5)


- N** None. Select when direct lamping is not desired.
- [_____] Same as Driver - Primary



10. QUANTITY — ACCENT DOWNLIGHT (CHOOSE ONE)

- N** None
- Enter total quantity of downlights per run length. (*Maximum 1x for 2-3ft., 2x for 4-5ft., and 3x for 6-8ft.*)

11. FINISH (CHOOSE ONE)

- AL** Natural Anodized Aluminum ([Standard Finish](#))
- BK** Black Powder Coat
- BRS** Brass Metallic Powder Coat
- SV** Silver Powder Coat
- WH** White Powder Coat
- WH/AM**  White Antimicrobial Powder Coat (for healthcare environments)
- RAL_____** Specify RAL Classic Color code (ex: *RAL3003*) ralcolorchart.com/ral-classic

12. VOLTAGE (CHOOSE ONE)

- UNV** Universal Voltage (120VAC-277VAC)
- 347** 347 Volt (*Driver options may be limited*)

13. ADDITIONAL OPTIONS (OPTIONAL — CHOOSE ONE UNDER A & B, IF DESIRED)**A. EMERGENCY OPTIONS** (CONSULT ALW FOR AVAILABLE OPTIONS)

- EMB/___³** Emergency Battery (*indicate quantity — each battery powers 4ft with a delivered lumen output of 1123lm*)
- EMC/___³** Emergency Circuit (*indicate quantity of 4ft sections to be illuminated by emergency circuit*)

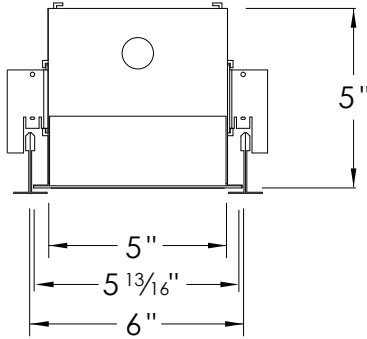
³For fixtures under 4ft in length, entire fixture will be illuminated with a proportional lumen output. Consult ALW for more details.

B. SENSOR OPTIONS (COMPATIBLE ONLY WITH 0-10V DRIVERS — DEFAULT QUANTITY IS 1 SENSOR PER 8FT, INDICATE ALTERNATE QUANTITY IF DESIRED)

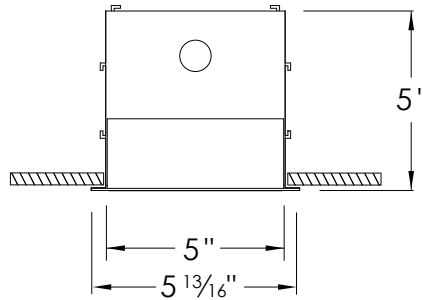
- ENLGT/___⁴** Enlighted® remote smart sensor (*occupancy, daylight, networking, and more*)
- ENLGT/INT/___⁴** Enlighted® integral smart sensor (*occupancy, daylight, networking, and more*)
- OS/___** 0-10V remote occupancy sensor
- PH/___** 0-10V remote photocell/daylight sensor

⁴Enlighted® Gateway and Energy Manager (by others) plus programming required. Learn more at enlightedinc.com.

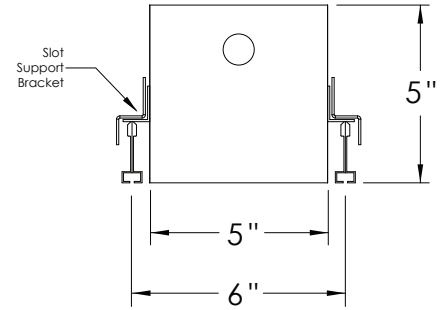
MECHANICAL DIAGRAMS



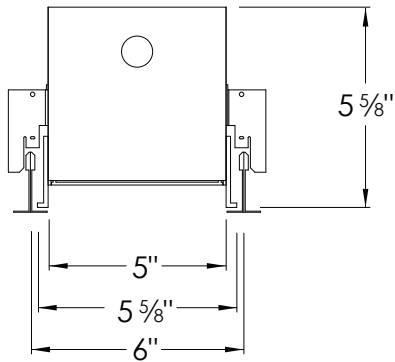
LP5RT
TGRID, ATZ/TGRID,
SLOT, or ATZ/SLOT



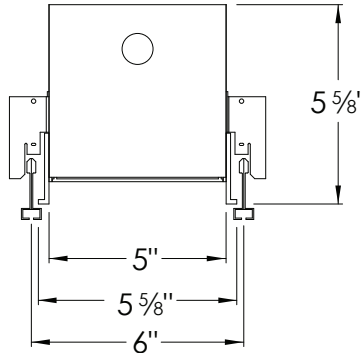
LP5RT
DRY



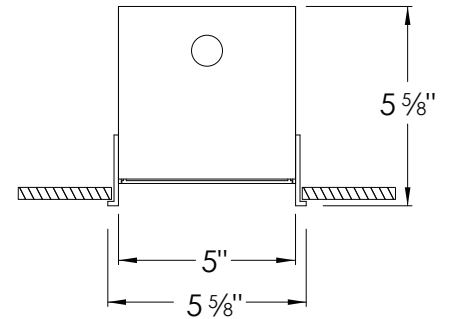
LP5RHF
TGRID, ATZ/TGRID,
SLOT, or ATZ/SLOT



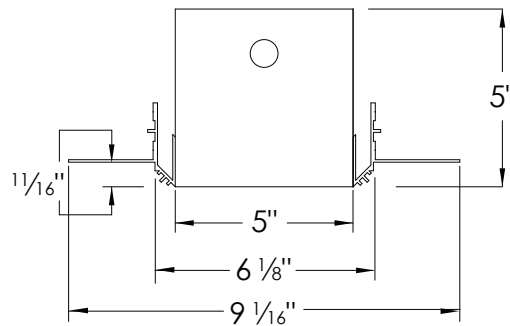
LP5TRL
TGRID or ATZ/TGRID



LP5TRL
SLOT or ATZ/SLOT



LP5TRL
DRY



LP5RMUD
DRY



PERFORMANCE DETAILS – LED LAMPING

| OUTPUT | DELIVERED LUMENS (LM/FT) | WATTS (W/FT) | EFFICACY (LM/W) | CRI OPTIONS | CCT OPTIONS |
|---------------------------|----------------------------|--------------|-----------------|-------------|-------------------------|
| LOW⁵ | 587 | 7.3 | 80 | 80 90 | 3000K 3500K 4000K |
| MED | 783 | 9.8 | 80 | | |
| HI⁵ | 979 | 12.2 | 80 | | |
| DECOR⁵ | 286 | 4.4 | 48 | N/A | 2700K-5700K |
| TUNE^{5,7} | 653 | 8.2 | 80 | | |
| RGB⁷ | Color-Changing RGB | 5 | N/A | | |
| RGBW⁷ | Color-Changing RGB + White | 5 | | 80 | 4000K |

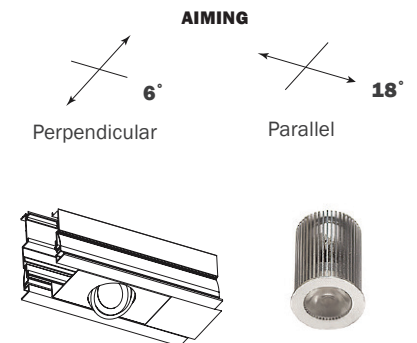
⁵Performance calculations are based on MED output at 80 CRI and 3500K. LOW and HI calculations are extrapolated values.

⁶Performance calculations are extrapolated estimates for mid-range CCTs. Cooler and warmer CCTs will provide lower delivered lumens (i.e. lower lm/w, higher W/lf).

⁷DMX driver recommended; controller not included.

PERFORMANCE DETAILS – ACCENT/DOWNLIGHT LAMPING

| SPOT | DELIVERED LUMENS (LM) | WATTS (W) | EFFICACY (LM/W) | CRI | CCT OPTIONS | BEAM SPREAD OPTIONS (DEGREES) |
|---------------|-----------------------|-----------|-----------------|-----|-------------------------|-------------------------------|
| DL800 | 800 | 4.8 | 167 | 80 | 3000K 3500K 4000K | 25 40 |
| DL1000 | 1000 | 6.1 | 164 | | | |
| DL1500 | 1500 | 9.7 | 155 | | | |



SS101818-A.0



ADDITIONAL OPTIONS & SPECIFICATIONS

LED PERFORMANCE

For standard LOW-HI lampings: $L_{70} > 54,000$ hours.
Luminous flux +/- 5%.

LENS

Extruded, twin-layered, high-impact acrylic. EXT is a white and extra diffuse lens with minimal-to-no source visibility. Choose from flush or regressed.

HOUSING

100% recyclable, extruded architectural grade 6061 aluminum with a 0.08" minimum wall thickness.

SAFETY & REGULATORY

ETL Listed (U.S. & Canada). Suitable for dry or damp locations.
Conforms to UL std. 1598, Luminaires.
Certified to CSA std. C22.2#250.0:2008 Ed. 3+G1;G2.

OPERATING TEMPERATURE

Luminaire should be installed and operated ONLY in environments where the ambient temperature ranges from -4 °F to 122 °F (-20 °C to 50 °C). Luminaire operation in environments outside the listed temperature range voids the warranty AND may damage the product or adversely impact lamp life, lumen output and color consistency.

WARRANTY

Limited 5-year warranty. Details: alwusa.com/warranty

INTEGRAL DOWNLIGHTS

Optional, aimable accent downlights deliver 800-1500 lumens with a beam spread of 25° or 40°. Hex cell (HEX) and snoot (SNT) accessories available.



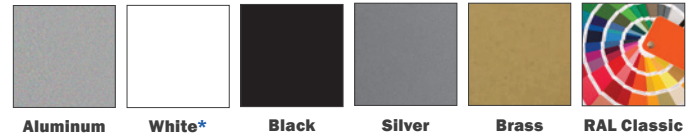
SENSOR OPTIONS

Optional, occupancy detection (OS) and/or daylight harvesting (PS) sensor available. Or upgrade to an optional Enlighted® Smart Sensor (ENLGHT) for additional capabilities. Contact ALW for details.



FINISH

Standard finish is "Ultimate" aluminum — a smooth, clean, and durable finish achieved from a deep etch and two-step clear anodizing process. Other options are shown below.



*For healthcare environments, a white antimicrobial finish (WH/AM) is also available.