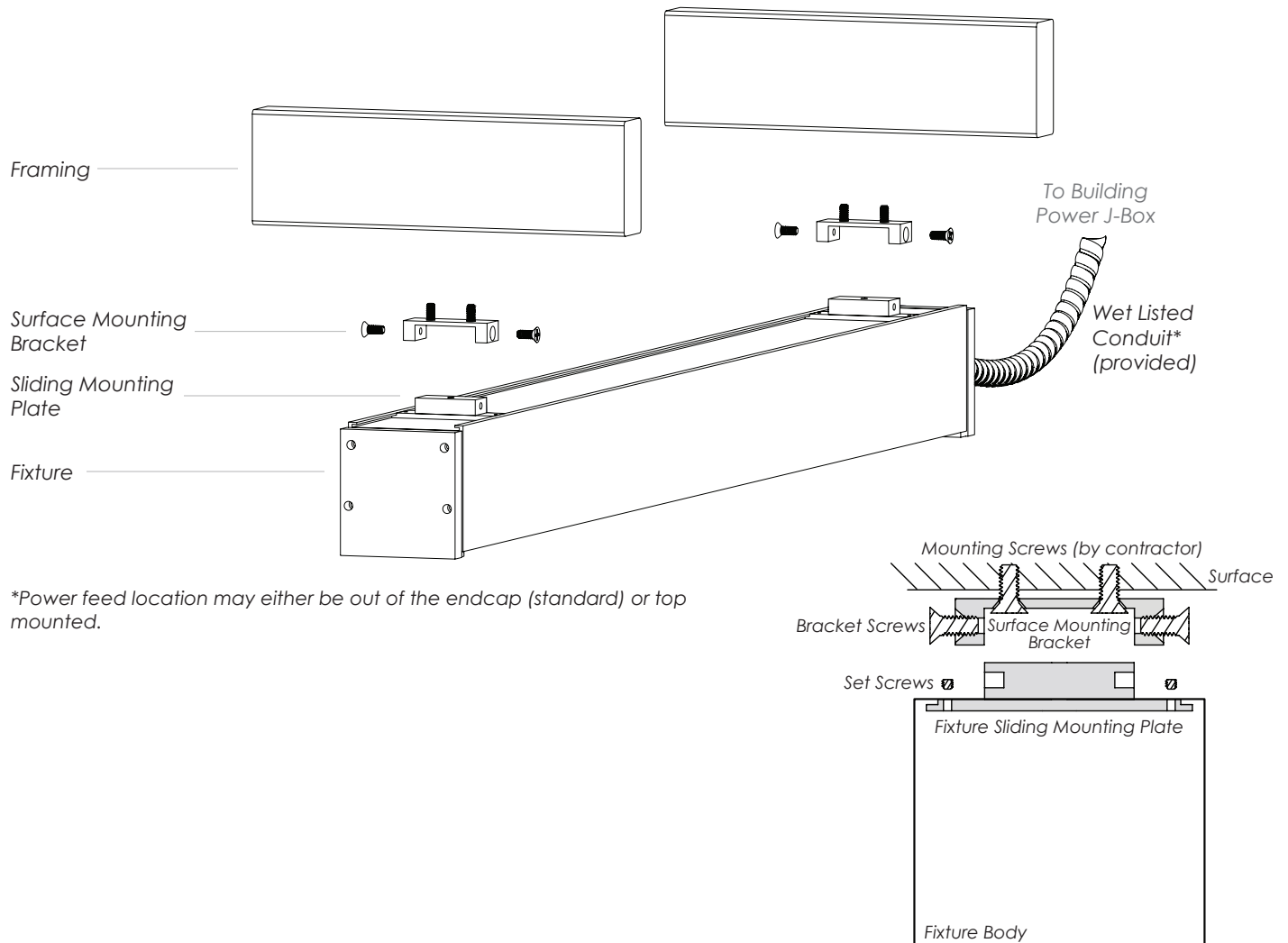


### Overview



\*Power feed location may either be out of the endcap (standard) or top mounted.

#### Parts (by others)

- ▣ Junction Box
- ▣ Wood Screws, #10, 1.5" long

#### Tools Required

- ▣ Drill
- ▣ #2 phillips bit
- ▣ Wire strippers

#### Quick Specs

**Input Voltage / Frequency:**  
High Voltage AC  
(See product label for input voltage)

**Rated Power:**  
See product drawing

**Ambient Temperature:**  
-4° – 120°F (-20° – 50°C)

**Environment:**  
Dry, damp, and wet locations

## Safety & Warnings!

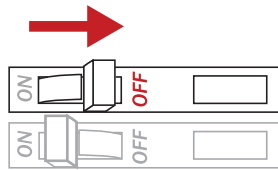
1. Read all instructions.
2. Install in accordance with national and local electrical code regulations.
3. This product is intended to be installed and serviced by a qualified, licensed electrician.
4. Suitable for outdoor/wet location use. Do NOT submerge fixture in liquids or use product in vicinity of standing water or other liquids.
5. It is recommended to power with a GFCI (Ground Fault Circuit Interrupter) protected circuit.
6. Do NOT modify or disassemble this product beyond instructions or warranty will be void.
7. Turn off electrical power before installing or servicing fixture in any way.
8. To reduce the risk of fire and overheating, make sure all connections are tight.

## Attention!

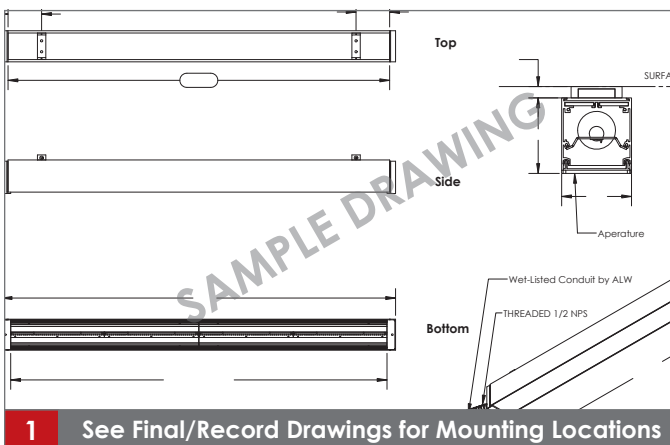
1. Lisez toutes les instructions.
2. Installez conformément à la réglementation du code électrique national et local.
3. Ce produit est destiné à être installé et entretenu par un électricien agréé qualifié.
4. Convient pour une utilisation en extérieur / humide. NE PAS immerger l'appareil dans des liquides ou utiliser le produit à proximité d'eau stagnante ou d'autres liquides.
5. Il est recommandé d'alimenter avec un circuit protégé par un disjoncteur de fuite à la terre (GFCI).
6. NE PAS modifier ou démonter ce produit au-delà des instructions ou la garantie sera annulée.
7. Coupez l'alimentation électrique avant de évoluer le système d'éclairage en aucune façon.
8. Pour réduire le risque d'incendie et de surchauffe, assurez-vous que toutes les connexions sont bien serrées.



**SHOCK HAZARD! May result in serious injury or death.** Turn power OFF at circuit breaker prior to installation or servicing.

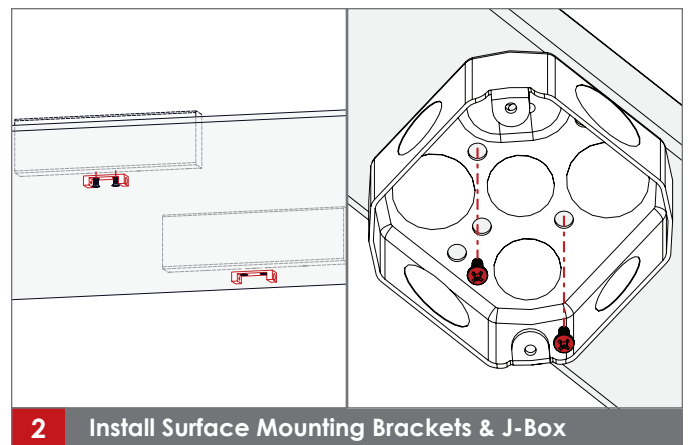


## Installation: Surface Mount



**1** See Final/Record Drawings for Mounting Locations

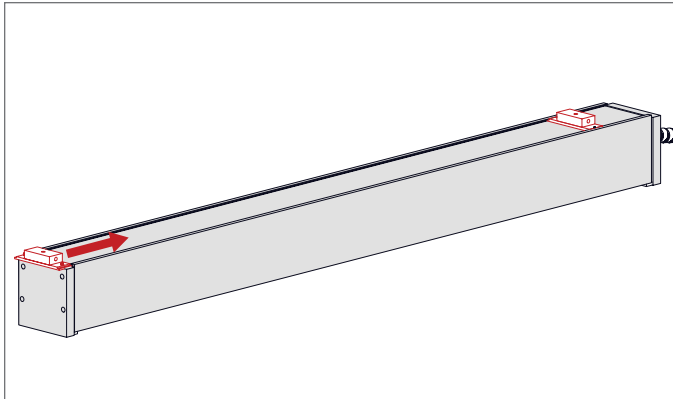
See final/record drawings for conduit and mounting locations. Install framing with consideration for alignment of wiring and suspension mounting locations.



**2** Install Surface Mounting Brackets & J-Box

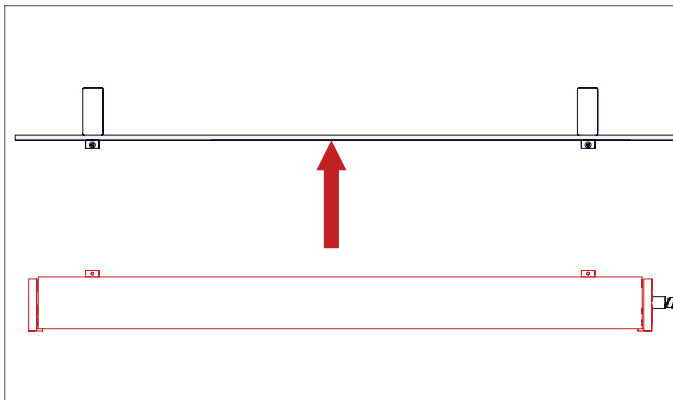
See final/record drawing for Surface Mounting Bracket locations, and install into framing using appropriate hardware. Install J-Box to connect high voltage wiring from fixture to building power.

## Installation: Surface Mount (Cont.)



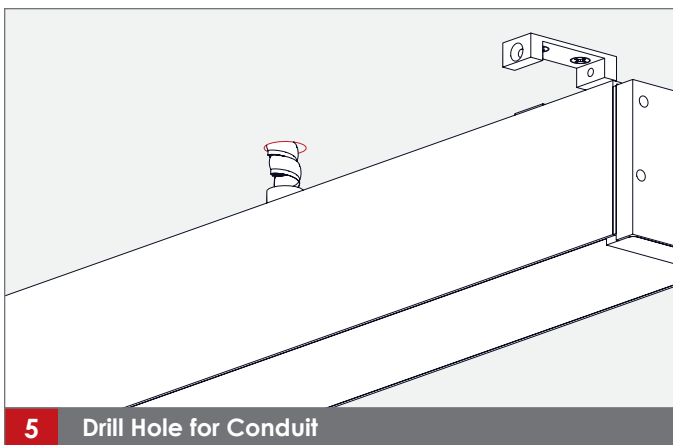
### 3 Install Sliding Mounting Plate

Install Sliding Mounting Plates onto track on top of Fixture. Ensure set screws are in place, but not tightened, to allow for adjustment when mounting.



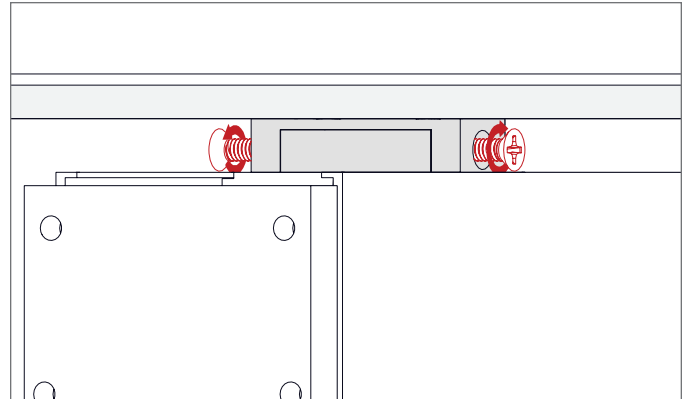
### 4 Raise Fixture to Mounting Brackets

Raise Fixture to Mounting Brackets and align Mounting Plates. Adjust plates as necessary, then tighten set screws to prevent further movement.



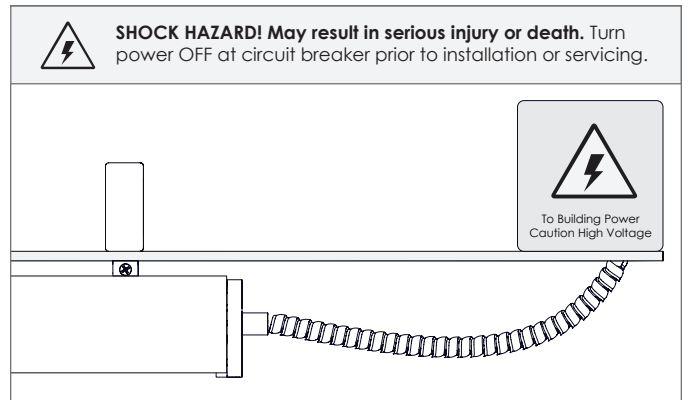
### 5 Drill Hole for Conduit

Mark power feed location (visually or using final/record drawing) and drill 1" diameter hole to feed conduit to J-Box.



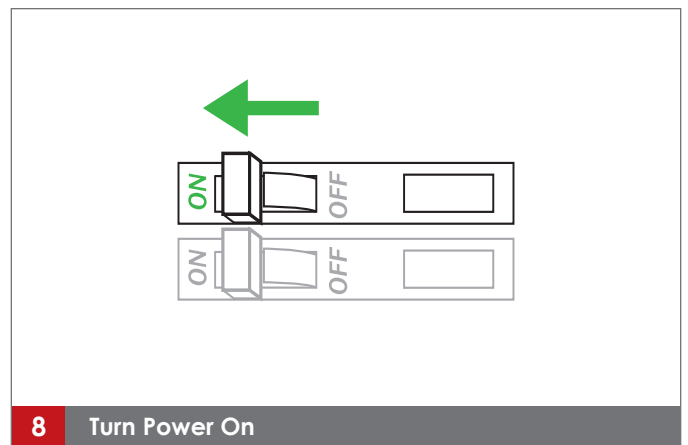
### 6 Secure Fixture to Mounting Bracket

Secure fixture to Mounting Brackets using two 1/4"-20 (5/8" long) screws at each mounting location, as shown.



### 7 Connect Wiring

Refer to final/record drawing to connect high voltage wiring to building power at J-Box. **CAUTION: This is a high voltage AC fixture, see product label for exact input voltage.**



### 8 Turn Power On

Turn breaker ON and check if fixture operates as intended and that there are no loose connections.