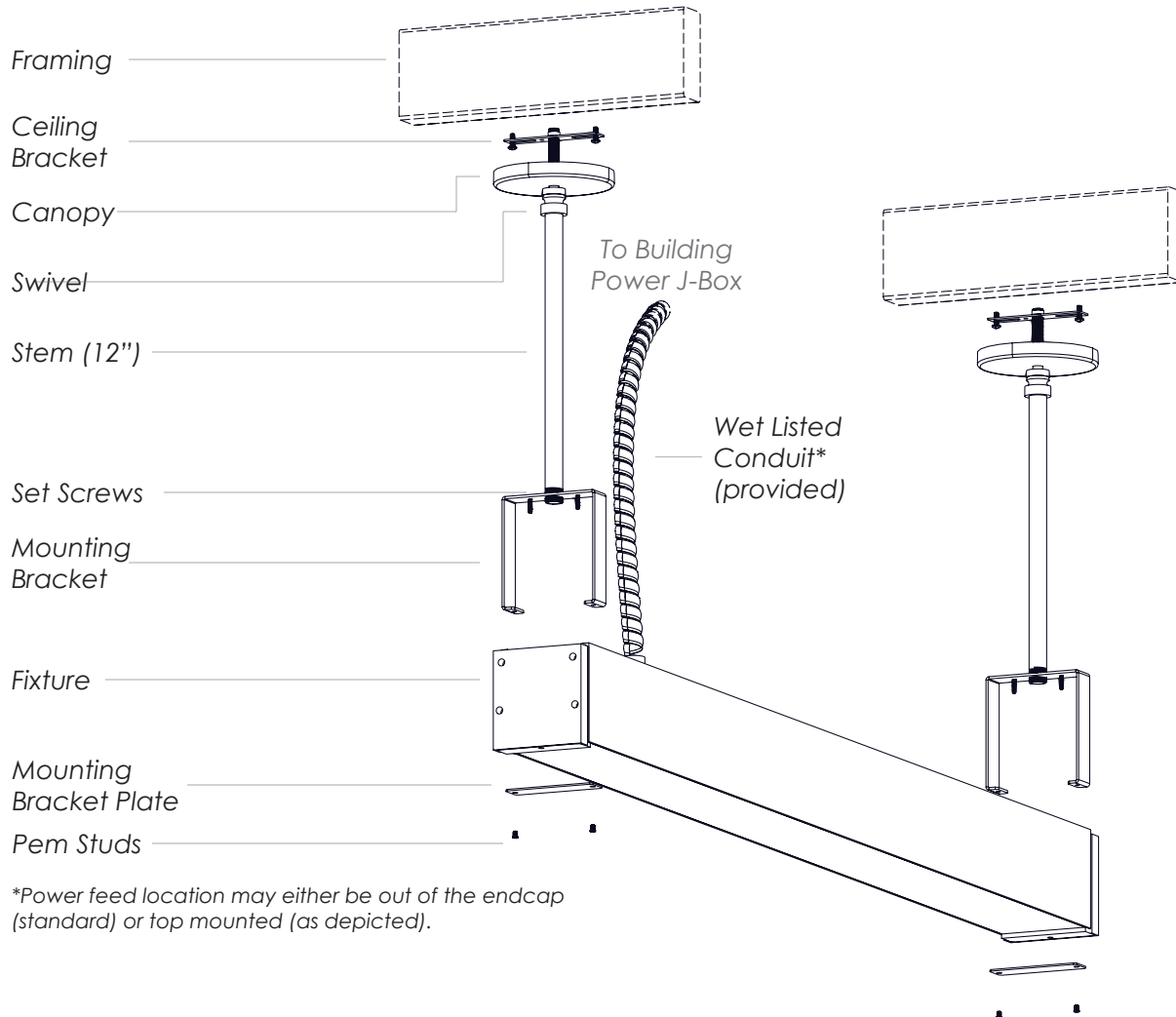


### Overview



#### Parts (by others)

- Junction Box
- Wood Screws, #10, 1.5" long

#### Tools Required

- Drill
- #2 phillips bit
- Wire strippers

#### Quick Specs

**Input Voltage / Frequency:**  
High Voltage AC  
(See product label for input voltage)

**Rated Power:**  
See product drawing

**Ambient Temperature:**  
-4° – 120°F (-20° – 50°C)

**Environment:**  
Dry, damp, and wet locations

## Safety & Warnings!

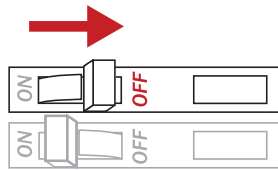
1. Read all instructions.
2. Install in accordance with national and local electrical code regulations.
3. This product is intended to be installed and serviced by a qualified, licensed electrician.
4. Suitable for outdoor/wet location use. Do NOT submerge fixture in liquids or use product in vicinity of standing water or other liquids.
5. It is recommended to power with a GFCI (Ground Fault Circuit Interrupter) protected circuit.
6. Do NOT modify or disassemble this product beyond instructions or warranty will be void.
7. Turn off electrical power before installing or servicing fixture in any way.
8. To reduce the risk of fire and overheating, make sure all connections are tight.

## Attention!

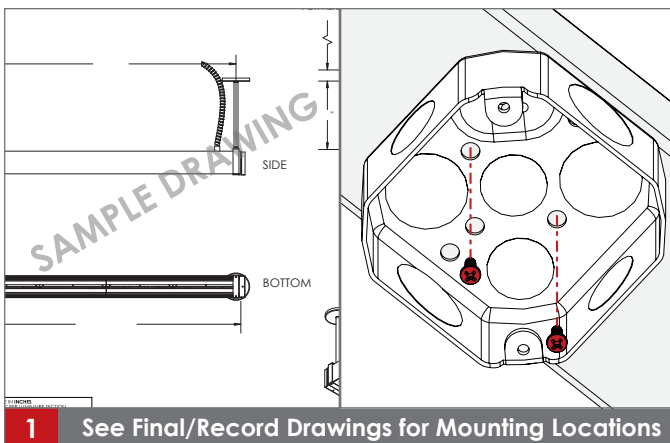
1. Lisez toutes les instructions.
2. Installez conformément à la réglementation du code électrique national et local.
3. Ce produit est destiné à être installé et entretenu par un électricien agréé qualifié.
4. Convient pour une utilisation en extérieur / humide. NE PAS immerger l'appareil dans des liquides ou utiliser le produit à proximité d'eau stagnante ou d'autres liquides.
5. Il est recommandé d'alimenter avec un circuit protégé par un disjoncteur de fuite à la terre (GFCI).
6. NE PAS modifier ou démonter ce produit au-delà des instructions ou la garantie sera annulée.
7. Coupez l'alimentation électrique avant de évoluer le système d'éclairage en aucune façon.
8. Pour réduire le risque d'incendie et de surchauffe, assurez-vous que toutes les connexions sont bien serrées.



**SHOCK HAZARD! May result in serious injury or death.** Turn power OFF at circuit breaker prior to installation or servicing.

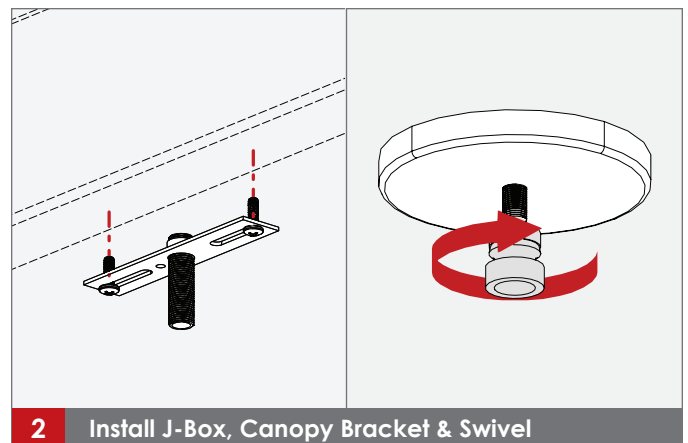


## Installation: Suspended Mount



**1** See Final/Record Drawings for Mounting Locations

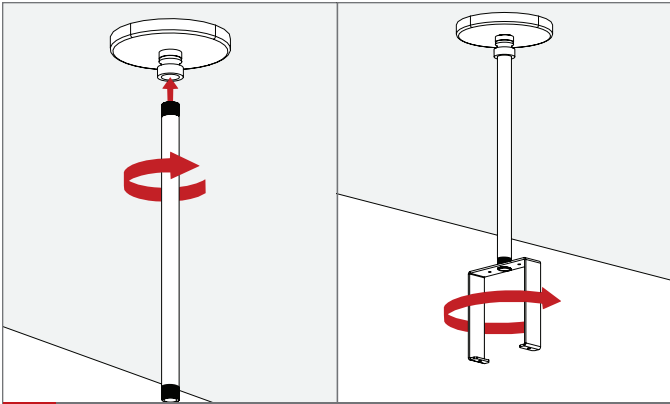
See final/record drawings for mounting locations. Install framing with consideration for alignment of wiring and suspension mounting locations. Install J-Box to connect high voltage wiring from fixture to building power.



**2** Install J-Box, Canopy Bracket & Swivel

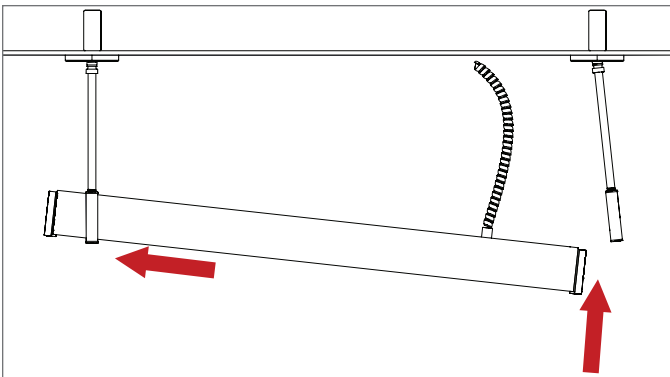
Install Canopy Bracket directly into framing using appropriate hardware at each stem mounting location. Install Swivel over Canopy Cover.

## Installation: Suspended Mount (Cont.)



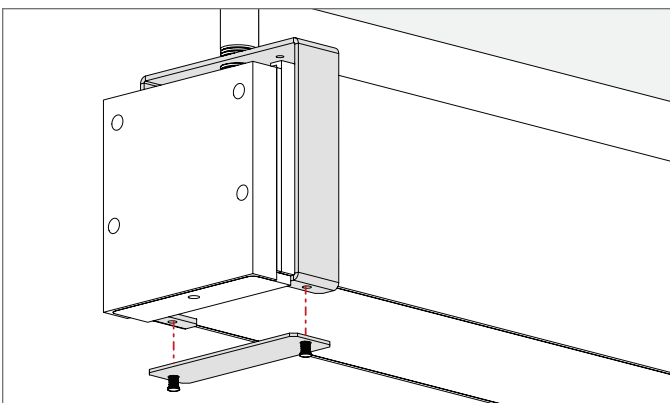
### 3 Mount Stem & Mounting Bracket

Mount Stem onto Swivel, then attach Mounting Bracket to other end of Stem.



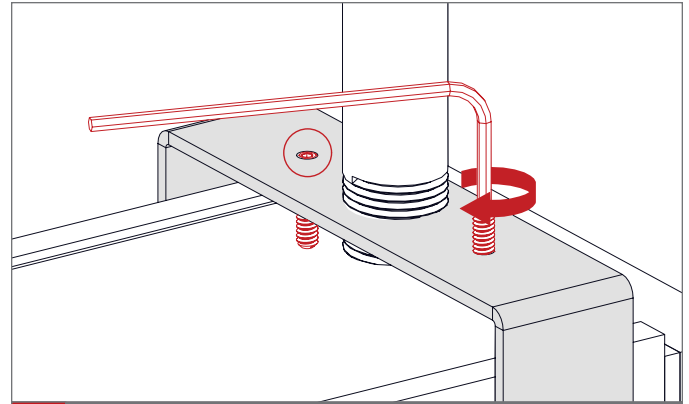
### 4 Raise Fixture to Mounting Brackets

Raise Fixture to Mounting Brackets and mount as shown. Take care not to damage Fixture surface. Adjust Stems as necessary to mount and level.



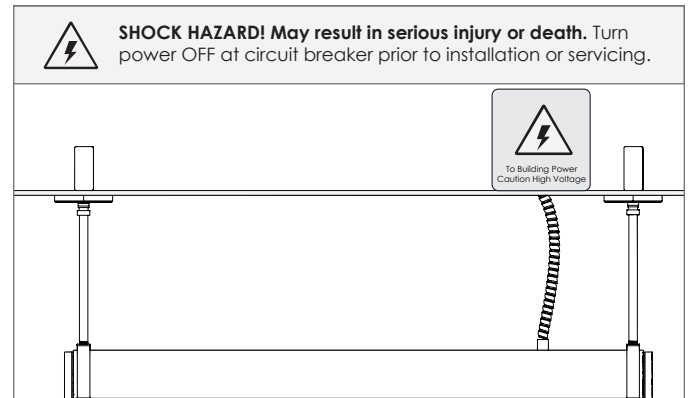
### 5 Install Mounting Bracket Plates

Align Mounting Brackets to edges of Fixture so it aligns to lip of endcaps, and install Mounting Bracket Plates on each side using two Pem Studs/nuts, as shown.



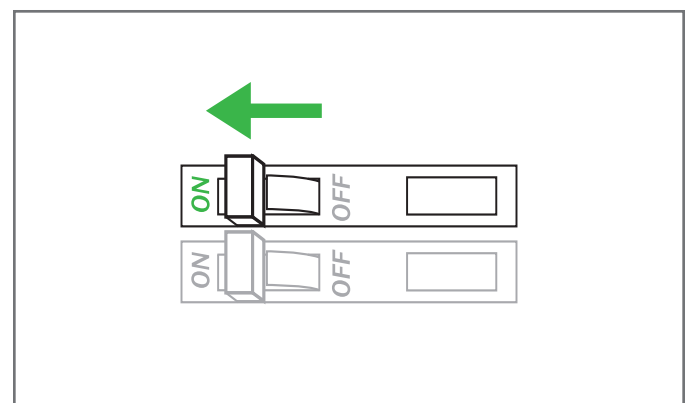
### 6 Tighten Set Screws

Tighten Set Screws at top of Mounting Bracket to secure Fixture within Bracket.



### 7 Connect Wiring

Refer to final/record drawing to connect high voltage wiring to building power at J-Box. **CAUTION: This is a high voltage AC fixture, see product label for exact input voltage.**



### 8 Turn Power On

Turn breaker ON and check if fixture operates as intended and that there are no loose connections.