



# LIGHTPLANE 3.5

**LP3.5WL | SUSPENDED, WALL, SURFACE – WET LOCATION**

**STANDARD SIZES**

3.5" Aperature  
Configurable in straight run sections up to 8ft.

**LAMPING**

LED - Direct or Indirect - 80/90 CRI - 3000K/3500K/4000K  
Output Options: LOW/MED/HI/DECOR/Tunable White/RGB/RGB+W  
Dimming down to 0%

**FINISH**

Aluminum, White, Black, Silver, Brass, RAL Classic Colors  
Optional Natatorium Top-Coat

**CONSTRUCTION**

Industrial Strength Extruded 6061 Aluminum  
IP66 Rated





# PRODUCT SUBMITTAL WORKSHEET

## SAMPLE PRODUCT CODE

**LP3.5WDWL – S8 – HI/90/3500 – 0/10V/S – EXT/F – AL – UNV – EMB/1 – OS/1**

1            2            3            4            5            6            7            8A            8B

### 1. BASE MODEL (CHOOSE ONE)

- LP3.5SDWL** 3.5" Suspended, Stem-Mount, Direct, Wet Location (Top-Side Power Feed)
- LP3.5WIWL** 3.5" Wall-Mount, Indirect, Wet Location (End Cap Power Feed)
- LP3.5WDWL** 3.5" Wall-Mount, Direct, Wet Location (End Cap Power Feed)
- LP3.5SMBWL** 3.5" Wall/Surface, Back-Mounted, Wet Location (End Cap Power Feed)

### 2. SHAPE/LENGTH (ENTER LENGTH IN FEET)

**S\_\_** Individual/Straight Run Section (enter whole number length in feet between 2-8ft., ex. S5)

*\*Longest uninterrupted length is 4ft, lengths greater than 4ft will be factory joined. Lengths are nominal and may vary based on lamping and other specification selections. Consult ALW when exact lengths are required.*

### 3. LED LAMPING (CHOOSE ONE UNDER A, B, & C, AS NECESSARY)

#### A. OUTPUT

- LOW**
- MED**
- HI**
- DECOR**
- TUNE**
- RGB**
- RGBW** (80CRI, 4000K White)

#### B. CRI<sup>1</sup>

- 80**
- 90**

#### C. CCT<sup>2</sup>

- 3000K**
- 3500K**
- 4000K**

DELIVERED LUMENS (LM/FT)	WATTS (W/FT)	EFFICACY (LM/W)
See page 5 for complete details.		Up to 70 lm/W

<sup>1</sup>CRI not applicable for DECOR, TUNE, RGB, or RGBW lamping.  
<sup>2</sup>CCT not applicable for TUNE, RGB, or RGBW lamping.

### 4. DRIVER (CHOOSE ONE)

- 0/10V/S** 0-10V dimming down to 5% (Standard Dimming – Down to 10% for DECOR and TUNE lamping)
- 0/10V/1%** 0-10V dimming down to 1%
- 0/10V/0%** 0-10V premium dimming down to 0%
- DALI** DALI flicker-free dimming down to 0%
- DMX** DMX flicker-free dimming down to 0% (Recommended for RGB or RGBW lamping)
- ECOSYS1** Lutron Hi-Lume 1% EcoSystem, constant current or constant voltage
- ECOSYS5** Lutron 5-Series 5% EcoSystem, constant current (Compatible only with LOW, MED, and HI lamping)


*\*Driver specifications provided upon request to assist with control system integration.*

### 5. LENS

**EXT/F** Extra diffuse, flush



## 6. FINISH (CHOOSE ONE)

- AL** Natural Anodized Aluminum (Standard Finish)
- BK** Black Powder Coat
- BRS** Brass Metallic Powder Coat
- SV** Silver Powder Coat
- WH** White Powder Coat
- WH/AM**  White Antimicrobial Powder Coat (for healthcare environments)
- RAL\_\_\_\_\_** Specify RAL Classic Color code (ex: RAL3003) [ralcolorchart.com/ral-classic](http://ralcolorchart.com/ral-classic)
- RAL+NTM** Natatorium finish (additional top-coat finish — select RAL Classic Color code above).

## 7. VOLTAGE (CHOOSE ONE)

- UNV** Universal Voltage (120VAC-277VAC)
- 347** 347 Volt (Driver options may be limited)

## 8. ADDITIONAL OPTIONS (OPTIONAL — CHOOSE ONE UNDER A & B, IF DESIRED)

### A. EMERGENCY OPTIONS

- EMB/\_\_\_<sup>3</sup>** Emergency Battery (indicate quantity — each battery powers 4ft of extrusion with a lumen output of 1000lm)
- EMC/\_\_\_<sup>3</sup>** Emergency Circuit (indicate quantity of 4ft sections to be illuminated by emergency circuit)

<sup>3</sup>For fixtures under 4ft in length, entire fixture will be illuminated with a proportional lumen output. Consult ALW for more details.

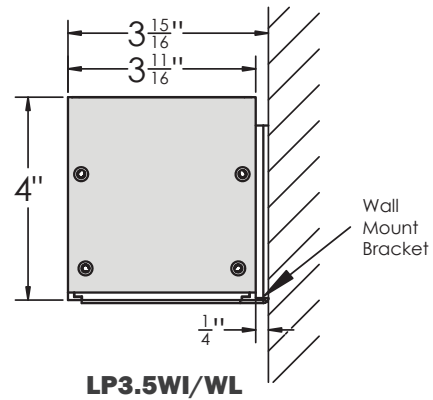
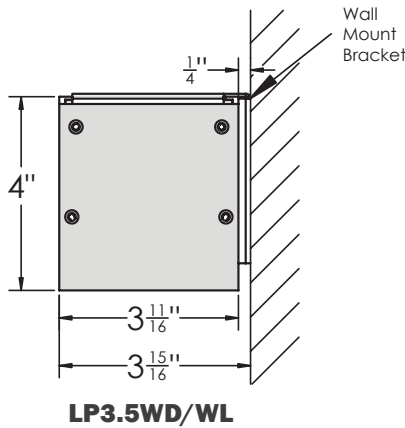
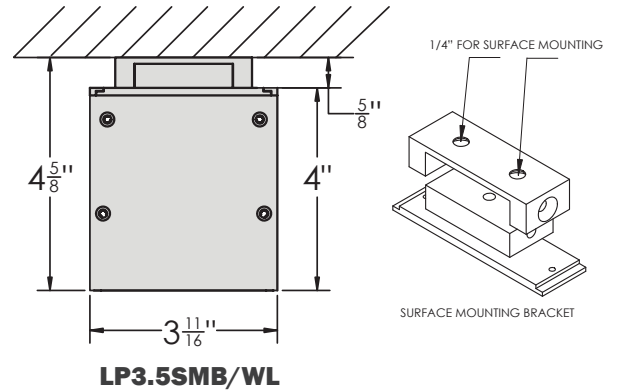
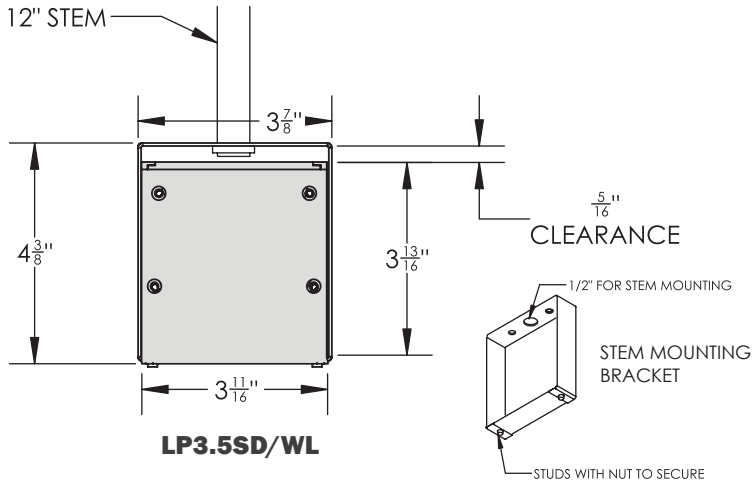
### B. SENSOR OPTIONS (COMPATIBLE ONLY WITH 0-10V DRIVERS)

- ENLGH/\_\_\_<sup>4</sup>** Enlighted® remote smart sensor (occupancy, daylight, networking, and more)
- OS/\_\_\_** 0-10V remote occupancy sensor
- PH/\_\_\_** 0-10V remote photocell/daylight sensor

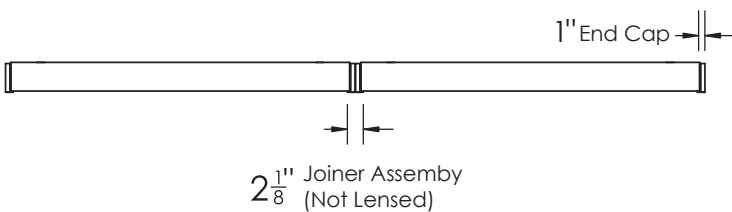
<sup>4</sup>Enlighted® Gateway and Energy Manager (by others) plus programming required. Learn more at [enlightedinc.com](http://enlightedinc.com).



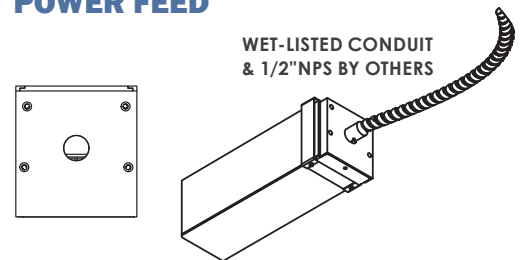
## MECHANICAL DIAGRAMS – DIMENSIONS



## END CAP & FACTORY JOINER ASSEMBLY



## POWER FEED



Power feed location on end of of fixture through the end cap for wall and surface mount.

Top-Side Power Feed is standard for suspended mounting.

SS112118-A.0



## PERFORMANCE DETAILS – LED LAMPING

OUTPUT	DELIVERED LUMENS (LM/FT)	WATTS (W/FT)	EFFICACY (LM/W)	CRI OPTIONS	CCT OPTIONS
<b>LOW</b> <sup>5</sup>	517	7.4	70	80 90	3000K 3500K 4000K
<b>MED</b>	689	9.8	70		
<b>HI</b> <sup>5</sup>	861	12.2	70		
<b>DECOR</b> <sup>5</sup>	252	5.9	43	N/A	2700K-5700K
<b>TUNE</b> <sup>5,7</sup>	574	8.2	70		
<b>RGB</b> <sup>7</sup>	Color-Changing RGB	5	N/A		
<b>RGBW</b> <sup>7</sup>	Color-Changing RGB + White	5		80	4000K

<sup>5</sup>Performance calculations are based on test data at MED output at 80 CRI and 3500K. LOW and HI calculations are extrapolated values.

<sup>6</sup>Performance calculations are extrapolated estimates for mid-range CCTs. Cooler and warmer CCTs will provide lower delivered lumens (i.e. lower lm/W, higher W/lf).

<sup>7</sup>DMX driver recommended; controller not included.



## ADDITIONAL OPTIONS & SPECIFICATIONS

### ELECTRICAL PERFORMANCE

LED drivers are Class 2,  $L_{70} > 54,000$  hours.  
80+ CRI. Luminous flux +/- 5%.

### LENS OPTIONS

Extruded, twin-layered, high-impact acrylic. EXT/F is a white, extra diffuse flush lens with with minimal- to no-source visibility.

### HOUSING

100% recyclable, extruded architectural grade 6061 aluminum with a 0.08" minimum wall thickness.

### SAFETY & REGULATORY

ETL Listed (U.S. & Canada). Suitable for wet locations.  
Conforms to UL std. 1598, Luminaires.  
Certified to CSA std. C22.2#250.0:2008 Ed. 3+G1;G2.

### OPERATING CONDITIONS

Luminaire should be installed and operated ONLY in locations where the ambient temperature ranges from -4 °F to 122 °F (-20 °C to 50 °C). Luminaire operation in environments outside the listed temperature range voids the warranty AND may damage the product or adversely impact lamp life, lumen output and color consistency. Not recommended for high temperature, high humidity environments (e.g. saunas and steam rooms).

### WARRANTY

Limited 5-year warranty. Details: [alwusa.com/warranty](http://alwusa.com/warranty)

### IP RATING

IP **6** **6**

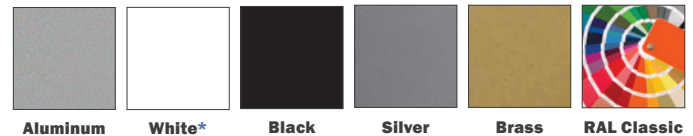
SOLID OBJECT INGRESS LEVEL	WATER INGRESS LEVEL
<b>6</b>	<b>6</b>
Dust tight	Protected against powerful water jets and heavy seas

### SENSOR OPTIONS

Optional, occupancy detection (OS) and/or daylight harvesting (PS) sensor available. Or upgrade to an optional Enlighted® Smart Sensor (ENLGHT) for additional capabilities. Contact ALW for details.

### FINISH

Standard finish is "Ultimatte" aluminum — a smooth, clean, and durable finish achieved from a deep etch and two-step clear anodizing process. Other options are shown below.



*\*For healthcare environments, a white antimicrobial finish (WH/AM) is also available.*