

LIGHTPLANE 3.5R

LP3.5RWWT | RECESSED WALL WASHER

STANDARD SIZES

3.5" Aperture
Configurable in straight run sections
Compatible with Drywall, T-Grid, Slot, and Armstrong® Techzone

LAMPING

LED - 80/90 CRI - 3000K/3500K/4000K
Output Options: LOW/MED/HI/DECOR/Tunable White/RGB/RGB+W
Dimming down to 0%

FINISH

Aluminum, White, Black, Silver, Brass, RAL Classic Colors

CONSTRUCTION

Industrial Strength Extruded 6061 Aluminum





PRODUCT SUBMITTAL WORKSHEET

SAMPLE PRODUCT CODE

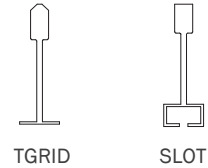
LP3.5RWWT – DRY – S5 – HI/90/3500 – 0/10V/S – EXT – AL – UNV – EMB/1 – OS/1
1 2 3 4 5 6 7 8 9A 9B

1. BASE MODEL

LP3.5RWWT **QS** 3.5" Recessed, Trimmed, Wall-Washer

2. CEILING TYPE (CHOOSE ONE – ADDITIONAL CEILING TYPES MAY BE AVAILABLE, CONSULT ALW)

- DRY** **QS** Drywall (*non-mud-in*)
- TGRID** **QS** T-Grid
- SLOT** **QS** Slot
- ATZ/TGRID** **QS** Armstrong® Techzone T-Grid
- ATZ/SLOT** **QS** Armstrong® Techzone Slot



3. LENGTH (ENTER LENGTH IN FEET)

S__ **QS** Individual/Straight Run Section (*enter length over 2ft, ex. S5*)

*Lengths are nominal and may vary based on lamping and other specification selections. Consult ALW when exact lengths are required.

4. LED LAMPING (CHOOSE ONE UNDER A, B, & C, AS NECESSARY)

- | | | |
|--|--|---|
| A. OUTPUT
<input type="checkbox"/> QS LOW
<input type="checkbox"/> QS MED
<input type="checkbox"/> QS HI
<input type="checkbox"/> DECOR
<input type="checkbox"/> TUNE
<input type="checkbox"/> RGB
<input type="checkbox"/> RGBW (80CRI, 4000K White) | B. CRI¹
<input type="checkbox"/> QS 80
<input type="checkbox"/> 90 | C. CCT²
<input type="checkbox"/> QS 3000K
<input type="checkbox"/> QS 3500K
<input type="checkbox"/> QS 4000K |
|--|--|---|

DELIVERED LUMENS (LM/FT)	WATTS (W/FT)	EFFICACY (LM/W)
See page 4 for complete details.		Up to 72 lm/W

¹CRI not applicable for DECOR, TUNE, RGB, or RGBW lamping.
²CCT not applicable for TUNE, RGB, or RGBW lamping.

5. DRIVER (CHOOSE ONE)

- 0/10V/S** **QS** 0-10V dimming down to 5% (Standard Dimming – Down to 10% for DECOR or TUNE lamping)
- 0/10V/1%** **QS** 0-10V dimming down to 1%
- 0/10V/0%** 0-10V premium dimming down to 0%
- DALI** DALI flicker-free dimming down to 0%
- DMX** DMX flicker-free dimming down to 0% (Recommended for RGB or RGBW lamping)
- ECOSYS1** **QS** Lutron Hi-lume 1% EcoSystem, constant current or constant voltage
- ECOSYS5** Lutron 5-Series 5% EcoSystem, constant current (Compatible only with LOW, MED, and HI lamping)

*Driver specifications provided upon request to assist with control system integration.

QS = QuickShip-qualifying option. For the entire luminaire configuration to be QuickShip-eligible, ALL options specified in the configuration must be ones notated with "QS". NOTE: Maximum 800 ft. of QuickShip-eligible product per order.


SS102418-A.0



6. LENS

- HT** **QS** High transmission integral lens

7. FINISH (CHOOSE ONE)

- AL** **QS** Natural Anodized Aluminum (Standard Finish)
 BK **QS** Black Powder Coat
 BRS Brass Metallic Powder Coat
 SV Silver Powder Coat
 WH **QS** White Powder Coat
 WH/AM  White Antimicrobial Powder Coat (for healthcare environments)
 RAL_____ Specify RAL Classic Color code (ex: RAL3003) ralcolorchart.com/ral-classic

8. VOLTAGE (CHOOSE ONE)

- UNV** **QS** Universal Voltage (120VAC-277VAC)
 347 347 Volt (Driver options may be limited)

9. ADDITIONAL OPTIONS (OPTIONAL – CHOOSE ONE UNDER A & B IF DESIRED)

A. EMERGENCY OPTIONS

- EMB/___³** **QS** Emergency Battery (indicate quantity – each battery powers 4ft with a delivered lumen output of 983lm)
 EMC/___³ **QS** Emergency Circuit (indicate quantity of 4ft sections to be illuminated by emergency circuit)

³For fixtures under 4ft in length, entire fixture will be illuminated with a proportional lumen output. Consult ALW for more details.

B. SENSOR OPTIONS (COMPATIBLE ONLY WITH 0-10V DRIVERS)

- ENLGT/___⁴** **QS** Enlighted® remote smart sensor (occupancy, daylight, networking, and more)
 OS/___ 0-10V remote occupancy sensor
 PH/___ 0-10V remote photocell/daylight sensor

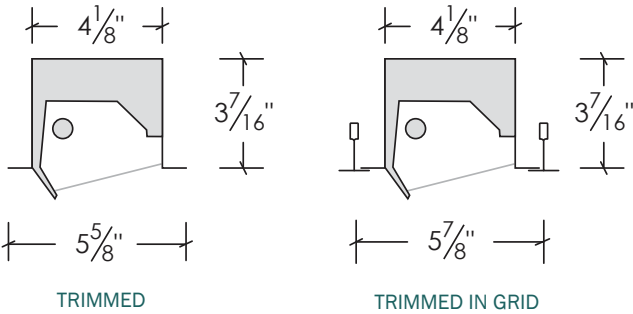
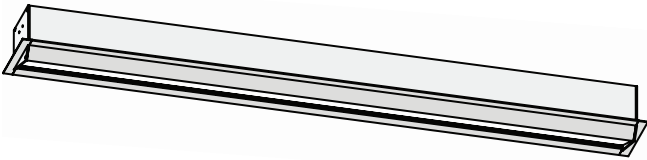
⁴Enlighted® Gateway and Energy Manager (by others) plus programming required. Learn more at enlightedinc.com.

QS = QuickShip-qualifying option. For the entire luminaire configuration to be QuickShip-eligible, ALL options specified in the configuration must be ones notated with "QS". NOTE: Maximum 800 ft. of QuickShip-eligible product per order.

SS102418-A.0



MECHANICAL DIAGRAMS – DIMENSIONS



PERFORMANCE DETAILS – LED LAMPING

OUTPUT	DELIVERED LUMENS (LM/FT)	WATTS (W/FT)	EFFICACY (LM/W)	CRI OPTIONS	CCT OPTIONS
LOW ⁵	517	7.4	70	80 90	3000K 3500K 4000K
MED ⁵	718	10	72		
HI ⁵	898	12.5	72		
DECOR	239	8.3	54	N/A	2700K-5700K
TUNE ^{6,7}	598	4.4	72		
RGB ⁷	Color-Changing RGB	5	N/A	80	N/A
RGBW ⁷	Color-Changing RGB + White	5			4000K

⁵Performance calculations are based on data of MED output at 80 CRI and 3500K. MIN, LOW, MED and HIGH calculations are extrapolated values.

⁶Performance calculations are extrapolated estimates for mid-range CCTs. Cooler and warmer CCTs will provide lower delivered lumens (i.e. lower lm/W, higher W/lf).

⁷DMX driver recommended; controller not included.



ADDITIONAL OPTIONS & SPECIFICATIONS

ELECTRICAL PERFORMANCE

LED drivers are Class 2, $L_{70} > 54,000$ hours.
80+ CRI. Luminous flux +/- 5%.

LENS

Integral 93% efficient, high-transmission optical lens shields lamping and provides superior diffusion.

REFLECTORS

Reflectors are formed from 0.040" thick aluminum, and finished in a titanium white powder coat.

HOUSING

100% recyclable, extruded architectural grade 6061 aluminum with a 0.08" minimum wall thickness.

SAFETY & REGULATORY

ETL Listed (U.S. & Canada). Suitable for dry or damp location.
Conforms to UL std. 1598, Luminaires.
Certified to CSA std. C22.2#250.0:2008 Ed. 3+G1;G2.

OPERATING CONDITIONS

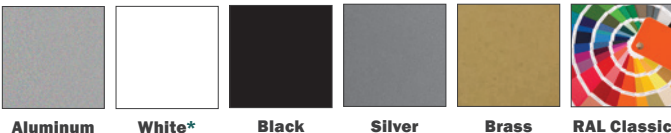
Luminaire should be installed and operated ONLY in dry or damp locations where the ambient temperature ranges from -4 °F to 122 °F (-20 °C to 50 °C). Luminaire operation in environments outside the listed temperature range voids the warranty AND may damage the product or adversely impact lamp life, lumen output and color consistency.

WARRANTY

Limited 5-year warranty. Details: alwusa.com/warranty

FINISH

Standard finish is "Ultimate" aluminum — a smooth, clean, and durable finish achieved from a deep etch and two-step clear anodizing process. Other options are shown below.



*For healthcare environments, a white antimicrobial finish (WH/AM) is also available.

SENSOR OPTIONS

Optional, occupancy detection (OS) and/or daylight harvesting (PS) sensor available. Or upgrade to an optional Enlighted® Smart Sensor (ENLGHT) for additional capabilities. Contact ALW for details.