



LIGHTPLANE 3.5

LP3.5 | SUSPENDED, WALL, SURFACE

STANDARD SIZES

3.5" Aperture
Configurable in linear shapes and straight run sections

LAMPING

LED - Direct or Indirect - 80/90 CRI - 3000K/3500K/4000K
Output Options: LOW/MED/HI/DECOR/Tunable White/RGB/RGB+W
Dimming down to 0%
Accent Downlights Available (800/1000/1500LM Output Options)

FINISH

Aluminum, White, Black, Silver, Brass, RAL Classic Colors

CONSTRUCTION

Industrial Strength Extruded 6061 Aluminum





PRODUCT SUBMITTAL WORKSHEET

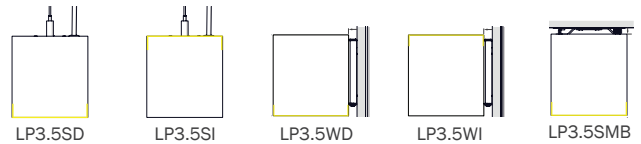
SAMPLE PRODUCT CODE

LP3.5SD – SQ5 – HI/90/3500 – 0/10V/S – EXT/R – DL1000/80/3500/25 – HEXSNT – 0/10V/S – 1 – AL – UNV – EMB/1 – OS/1 – COMBO – SB

1 2 3 4 5 6A 6B 6C 6D 7 8 9 10 11 12A 12B 12c

1. BASE MODEL (CHOOSE ONE)

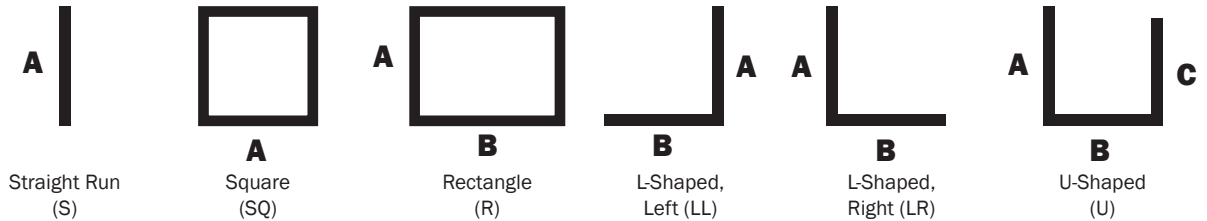
- LP3.5SD** QS 3.5" Suspended, Direct
- LP3.5SI** QS 3.5" Suspended, Indirect
- LP3.5WD** QS 3.5" Wall-Mount, Direct
- LP3.5WI** QS 3.5" Wall-Mount, Indirect
- LP3.5SMB** QS 3.5" Wall/Surface, Back-Mounted, Front-Facing



2. SHAPE/LENGTH (CHOOSE ONE & ENTER LENGTH IN FEET – FOR CUSTOM ANGLES, CONTACT ALW)

- S__** QS Individual/Straight Run Section (enter length, ex. S5)
- SQ__** QS Square Configuration (enter side length A, ex: SQ5)
- R__** QS Rectangular Configuration (enter side lengths A and B, ex. R5-7)
- LL__** QS L-Shaped, Left Configuration (enter side lengths A and B, ex. LL5-7)
- LR__** QS L-Shaped, Right Configuration (enter side lengths A and B, ex. LR5-7)
- U__** QS U-Shaped Configuration (enter side lengths A, B, and C, ex. U5-7-4)

*Lengths are nominal and may vary based on lamping and other specification selections. Consult ALW when exact lengths are required.



3. LED LAMPING – PRIMARY (CHOOSE ONE UNDER A, B, & C, AS NECESSARY)

A. OUTPUT

- QS LOW**
- QS MED**
- QS HI**
- QS DECOR**
- QS TUNE**
- RGB**
- RGBW** (80CRI, 4000K White)

B. CRI¹

- QS 80**
- 90**

C. CCT²

- QS 3000K**
- QS 3500K**
- QS 4000K**

| DELIVERED LUMENS (LM/FT) | WATTS (W/FT) | EFFICACY (LM/W) |
|----------------------------------|--------------|-----------------|
| See page 6 for complete details. | | Up to 98 lm/W |

¹CRI not applicable for DECOR, TUNE, RGB, or RGBW lamping.

²CCT not applicable for TUNE, RGB, or RGBW lamping.

QS = QuickShip-qualifying option. For the entire luminaire configuration to be QuickShip-eligible, ALL options specified in the configuration must be ones notated with "QS". NOTE: Maximum 800 ft. of QuickShip-eligible product per order.

SS092818-A.0



4. DRIVER – PRIMARY (CHOOSE ONE)

- 0/10V/S** **QS** 0-10V dimming down to 5% (Standard Dimming – Down to 10% for DECOR and TUNE lamping)
- 0/10V/1%** **QS** 0-10V dimming down to 1%
- 0/10V/0%** 0-10V premium dimming down to 0%
- DALI** DALI flicker-free dimming down to 0%
- DMX** DMX flicker-free dimming down to 0% (Recommended for RGB or RGBW lamping)
- ECOSYS1** **QS** Lutron Hi-Lume 1% EcoSystem, constant current or constant voltage
- ECOSYS5** Lutron 5-Series 5% EcoSystem, constant current (Compatible only with LOW, MED, and HI lamping)

**Driver specifications provided upon request to assist with control system integration.*

5. LENS – PRIMARY (CHOOSE ONE)

- EXT/F** **QS** Extra diffuse, flush
- EXT/R** **QS** Extra diffuse, reveal
- EXT/ASY/LED** **QS** Extra diffuse with asymmetric distribution, flush

6. ACCENT – DOWNLIGHT (CHOOSE NONE OR ONE UNDER A, C, & D)

- N** **QS** None. Select when Accent Downlight Lamping is not desired.

- | | | | |
|--|---|---------------------------------------|------------------------------------|
| A. SPOT | B. CRI | C. CCT | D. BEAM SPREAD |
| <input type="checkbox"/> DL800 | <input checked="" type="checkbox"/> 80 | <input type="checkbox"/> 3000K | <input type="checkbox"/> 25 |
| <input type="checkbox"/> DL1000 | | <input type="checkbox"/> 3500K | <input type="checkbox"/> 40 |
| <input type="checkbox"/> DL1500 | | <input type="checkbox"/> 4000K | |

| DELIVERED LUMENS (LM) | WATTS (W) | EFFICACY (LM/W) |
|----------------------------------|-----------|-----------------|
| See page 6 for complete details. | | ~155+ |

7. ACCESSORY – ACCENT DOWNLIGHT

- N** None
- HEX** **QS** Hexcell Louver
- SNT** Snoot
- HEXSNT** Both Hexcell louver and Snoot



8. DRIVER – ACCENT DOWNLIGHT (CHOOSE ONE)

- N** **QS** None. Select when Accent Downlight Lamping is not desired.
- [_____]** Same as Driver – Primary (Step 4)

9. QUANTITY – ACCENT DOWNLIGHT (CHOOSE ONE)

- N** **QS** None
- Enter total quantity of downlights per run length. (Maximum 1x for 2-3ft., 2x for 4-5ft., and 3x for 6-8ft.)

QS = QuickShip-qualifying option. For the entire luminaire configuration to be QuickShip-eligible, ALL options specified in the configuration must be ones notated with "QS". NOTE: Maximum 800 ft. of QuickShip-eligible product per order.

SS092818-A.0



10. FINISH (CHOOSE ONE)

- AL** QS Natural Anodized Aluminum (Standard Finish)
- BK** QS Black Powder Coat
- BRS** Brass Metallic Powder Coat
- SV** Silver Powder Coat
- WH** QS White Powder Coat
- WH/AM** 🏥 White Antimicrobial Powder Coat (for healthcare environments)
- RAL_____** Specify RAL Classic Color code (ex: RAL3003) ralcolorchart.com/ral-classic

11. VOLTAGE (CHOOSE ONE)

- UNV** QS Universal Voltage (120VAC-277VAC)
- 347** 347 Volt (Driver options may be limited)

12. ADDITIONAL OPTIONS (OPTIONAL – CHOOSE ONE UNDER A, B, & C, IF DESIRED)

A. EMERGENCY OPTIONS

- EMB/___³** QS Emergency Battery (indicate quantity – each battery powers 4ft with a delivered lumen output of 1316lm)
- EMC/___³** QS Emergency Circuit (indicate quantity of 4ft sections to be illuminated by emergency circuit)

³For fixtures under 4ft in length, entire fixture will be illuminated with a proportional lumen output. Consult ALW for more details.

B. SENSOR OPTIONS (COMPATIBLE ONLY WITH 0-10V DRIVERS – DEFAULT QUANTITY IS 1 SENSOR PER 8FT, INDICATE ALTERNATE QUANTITY IF DESIRED)

- ENLGHT/___⁴** QS Enlighted® remote smart sensor (occupancy, daylight, networking, and more)
- ENLGHT/INT/___⁴** QS Enlighted® integral smart sensor (occupancy, daylight, networking, and more)
- OS/___** 0-10V remote occupancy sensor
- PH/___** 0-10V remote photocell/daylight sensor

⁴Enlighted® Gateway and Energy Manager (by others) plus programming required. Learn more at enlightedinc.com.

C. ADDITIONAL OPTIONS (COMPATIBLE ONLY WITH SUSPENDED MOUNT)

- COMBO** QS Combination 4.5" canopy at power feed locations to accommodate both power cord & suspension mount hardware.
- SB** QS Seismic Bracing

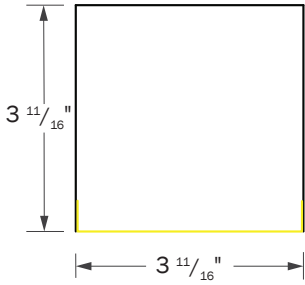
QS = QuickShip-qualifying option. For the entire luminaire configuration to be QuickShip-eligible, ALL options specified in the configuration must be ones notated with "QS". NOTE: Maximum 800 ft. of QuickShip-eligible product per order.

SS092818-A.0

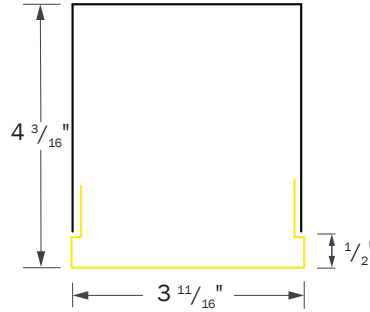


MECHANICAL DIAGRAMS – DIMENSIONS

FLUSH LENS

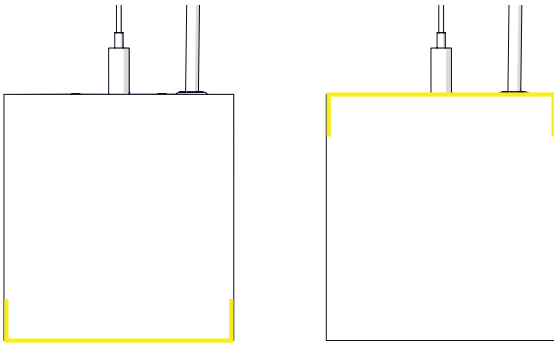


REVEAL (DROPPED) LENS



MECHANICAL DIAGRAMS – MOUNTING

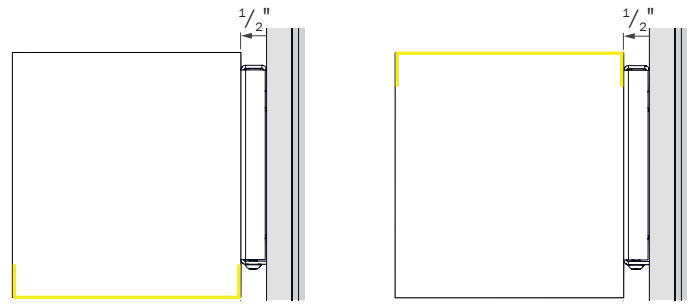
SUSPENDED



LP3.5SD
SUSPENDED, DIRECT

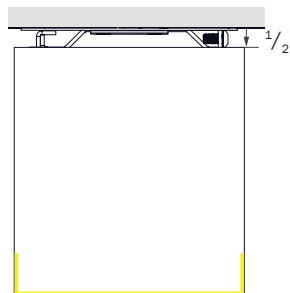
LP3.5SI
SUSPENDED, INDIRECT

SURFACE/WALL MOUNT



LP3.5WD
WALL-MOUNT, DIRECT

LP3.5WI
WALL-MOUNT, INDIRECT



LP3.5SMB
WALL/SURFACE,
BACK-MOUNTED,
FRONT-FACING

SUSPENSION MOUNTING



CEILING HARDWARE

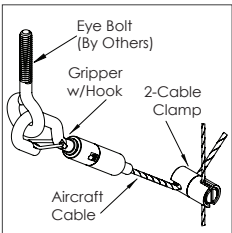
- (1) 4.5" canopy per power feed location,
- (1) bullet mount,
- (1) 8' aircraft cable
- (1) 2" canopy (for use with T-bar mounting) per suspension point



COMBO CANOPY

Choose option COMBO to specify 4.5" canopies at feed locations with power feed and aircraft cable suspension mounting.

Canopy finish is always white. Contact ALW for alternate colors.



SEISMIC BRACING

Add-on hardware includes cable gripper with hook, 2-cable clamp and specified length of aircraft cable per suspension point.



PERFORMANCE DETAILS – LED LAMPING

| OUTPUT | DELIVERED LUMENS (LM/FT) | WATTS (W/FT) | EFFICACY (LM/W) | CRI OPTIONS | CCT OPTIONS |
|---------------------------|----------------------------------|--------------|-----------------|-------------|-------------------------|
| LOW⁵ | 695 | 7.1 | 98 | 80 90 | 3000K 3500K 4000K |
| MED⁵ | 956 | 10.3 | 93 | | |
| HI⁵ | 1276 | 14.6 | 87 | | |
| DECOR | 252 | 5.9 | 43 | N/A | 2700K-5700K |
| TUNE^{5,7} | 574 | 8.2 | 70 | | |
| RGB⁷ | Color-Changing RGB | 5 | N/A | | 80 |
| RGBW⁷ | Color-Changing RGB + 4000K White | 5 | | 4000K | |

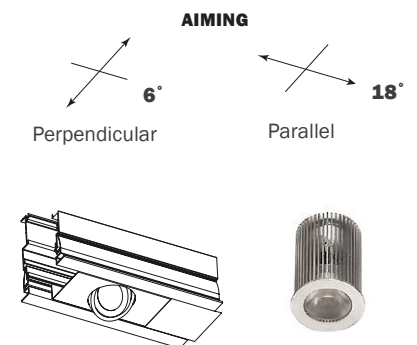
⁵Performance calculations are based on LM-79 test of MED output at 80 CRI and 4000K. LOW and HI calculations are extrapolated values.

⁶Performance calculations are extrapolated estimates for mid-range CCTs. Cooler and warmer CCTs will provide lower delivered lumens (i.e. lower lm/W, higher W/lf).

⁷DMX driver recommended; controller not included.

PERFORMANCE DETAILS – ACCENT/DOWNLIGHT LAMPING

| SPOT | DELIVERED LUMENS (LM) | WATTS (W) | EFFICACY (LM/W) | CRI | CCT OPTIONS | BEAM SPREAD OPTIONS (DEGREES) |
|---------------|-----------------------|-----------|-----------------|-----|-------------------------|-------------------------------|
| DL800 | 800 | 4.8 | 167 | 80 | 3000K 3500K 4000K | 25 40 |
| DL1000 | 1000 | 6.1 | 164 | | | |
| DL1500 | 1500 | 9.7 | 155 | | | |



SS092818-A.0



ADDITIONAL OPTIONS & SPECIFICATIONS

ELECTRICAL PERFORMANCE

LED drivers are Class 2, $L_{70} > 54,000$ hours.
80+ CRI. Luminous flux +/- 5%.

LENS OPTIONS

Extruded, twin-layered, high-impact acrylic. EXT is white and extra diffuse with minimal- to no-source visibility. Choose from flush or reveal (dropped) lens options.



FLUSH LENS - EXT/F



REVEAL LENS - EXT/R

HOUSING

100% recyclable, extruded architectural grade 6061 aluminum with a 0.08" minimum wall thickness.

SAFETY & REGULATORY

ETL Listed (U.S. & Canada). Suitable for dry or damp locations.
Conforms to UL std. 1598, Luminaires.
Certified to CSA std. C22.2#250.0:2008 Ed. 3+G1;G2.

OPERATING CONDITIONS

Luminaire should be installed and operated ONLY in dry or damp environments where the ambient temperature ranges from -4 °F to 122 °F (-20 °C to 50 °C). Luminaire operation in environments outside the listed temperature range voids the warranty AND may damage the product or adversely impact lamp life, lumen output and color consistency.

WARRANTY

Limited 5-year warranty. Details: alwusa.com/warranty

INTEGRAL DOWNLIGHTS

Optional, aimable accent downlights deliver 800-1500 lumens with a beam spread of 25° or 40°. Hex cell (HEX) and snoot (SNT) accessories are also available.



SENSOR OPTIONS

Optional, occupancy detection (OS) and/or daylight harvesting (PS) sensor available. Or upgrade to an optional Enlighted® Smart Sensor (ENLGHST) for additional capabilities. Contact ALW for details.

FINISH

Standard finish is "Ultimate" aluminum — a smooth, clean, and durable finish achieved from a deep etch and two-step clear anodizing process. Other options are shown below.



Aluminum White* Black Silver Brass RAL Classic

*For healthcare environments, a white antimicrobial finish (WH/AM) is also available.