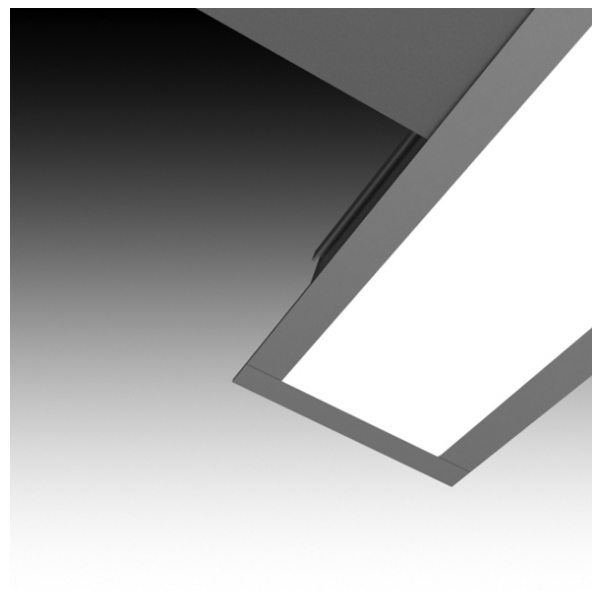


INSTALLATION INSTRUCTIONS

Lightplane 3.5 Recessed

LP3.5R | Recessed Ceiling



IMPORTANT SAFETY INSTRUCTIONS

When installing or using this fixtures basic safety precautions must be followed. Read **all instructions** before installing fixture. Always follow applicable building codes when installing any light fixture. Due to product variations and configurations, these instructions serve only as a general guide. Refer to factory provided submittals for details.

- This fixture is intended for installation in accordance with the National Electric Code and Local and State Codes and must be installed by a licensed electrical contractor.
- **Do not install this fixture in damp locations.**
- **Do not install less than four (4) inches from the ceiling (not including ceiling mount).**
- **This fixture is for installation in non insulated ceilings only.**
- To prevent electrical shock, **turn off electricity** at fuse box before installing the fixture.

Lightplane 3.5 Recessed – LP3.5R

INSTALLATION INSTRUCTIONS | Recessed



INSTALLATION A – GRID WALLBOARD

A1. Turn the power off at the fuse box before installing the fixture.

A2. Support the unit to the structure via an all-thread stud, using a coupling nut or blocking (by others).

A3. If joining multiple fixtures together remove end-caps where fixtures are joined together and loosen set screws on joining bar hardware. Extend joining bars from end of fixture and secure. Connect the wires between the fixtures. Attach the white, black and green wire connectors using the provided connectors. Push the excess wire into the fixture. Do not pinch wires between the parts. Join the segments together and secure the fixtures with the joining bar set screw hardware.

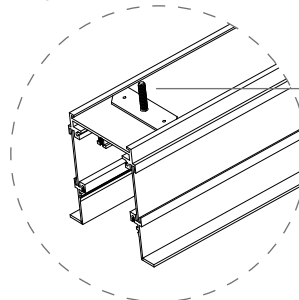
A4. While protecting finished parts and supporting the fixture, pull the building wires through the knockout and attach the conduit hardware to the fixture. Secure the fixture to the ceiling with brackets (provided) or by using fasteners to secure the fixture to blocking or the building structure (by others).

A5. While supporting the reflector assembly, attach the building wire to fixture using disconnect (provided) or by using a U.L. approved wire connector. Connect the luminary neutral wire (white) to the supply neutral, then connect the luminary line wire (black) to the supply line wire. Fasten ground wire (green) to ground wire.

A6. Turn on the power.

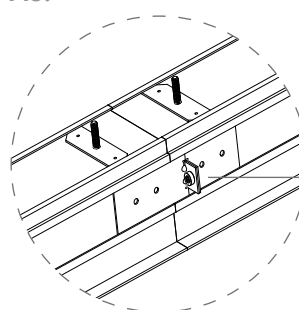
A7. Use Suction cup to remove / install lens during maintenance.

A2.



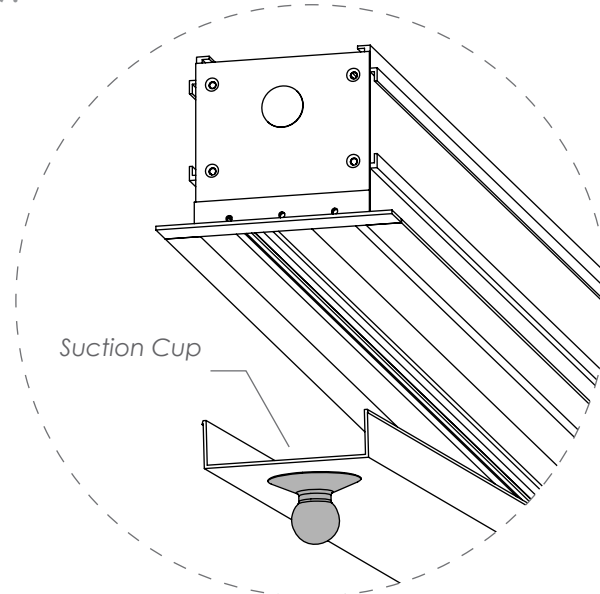
Threaded Stud
using Coupling nut

A3.



Joining bar

A7.



Suction Cup

Use Suction cup to remove / install
lens during maintenance

Lightplane 3.5 Recessed – LP3.5R

INSTALLATION INSTRUCTIONS | Recessed



INSTALLATION B – TRIMLESS

B1. Turn the power off at the fuse box before installing the fixture.

B2. Support the unit to the structure via an all-thread stud, using a coupling nut or blocking (by others).

B3. If joining multiple fixtures together remove end-caps where fixtures are joined together and loosen set screws on joining bar hardware. Extend joining bars from end of fixture and secure. Connect the wires between the fixtures. Attach the white, black and green wire connectors using the provided connectors. Push the excess wire into the fixture. Do not pinch wires between the parts. Join the segments together and secure the fixtures with the joining bar set screw hardware.

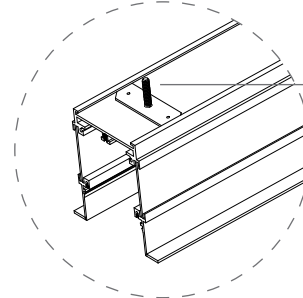
B4. Pull the building wires through the knockout and attach conduit hardware to fixture. Secure fixture to ceiling with screws (by others) or using fasteners to secure the fixture to the blocking or the building structure (by others) as needed.

B5. Insert the fixture into the opening and align the opening to be flush with the surface. Do not force the fixture into opening or bend the wire-body. Expand the opening in the surface as needed to fit the fixture through. Bending the wire-body will cause the lens to not fit securely and will damage the fixture. Secure the extrusion with screws by attaching the fins to the drywall and-or blocking. Putty in the gap between the opening and the wire-body and finish the area until smooth.

B6. While supporting the reflector assembly, attach the building wire to fixture using disconnect (provided) or by using a U.L. approved wire connector. Connect the luminary neutral wire (white) to the supply neutral, then connect the luminary line wire (black) to the supply line wire. Fasten ground wire (green) to ground wire. Then push the wires into wire-body, do not pinch the wires between the parts.

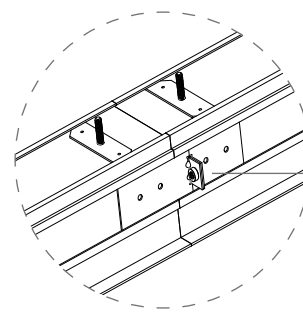
B7. Turn on the power.

B2.



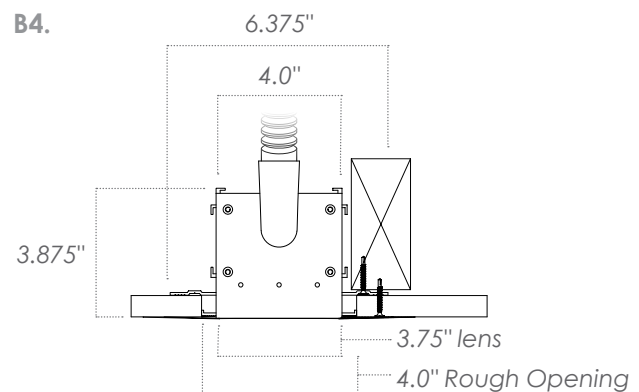
Threaded Stud
using Coupling nut

B3.

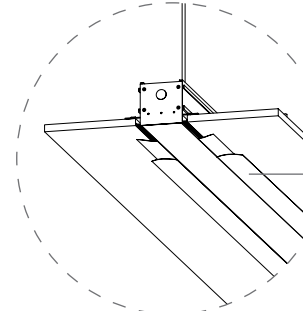


Joining bar

B4.



B5.



Feathering
compound
or tape

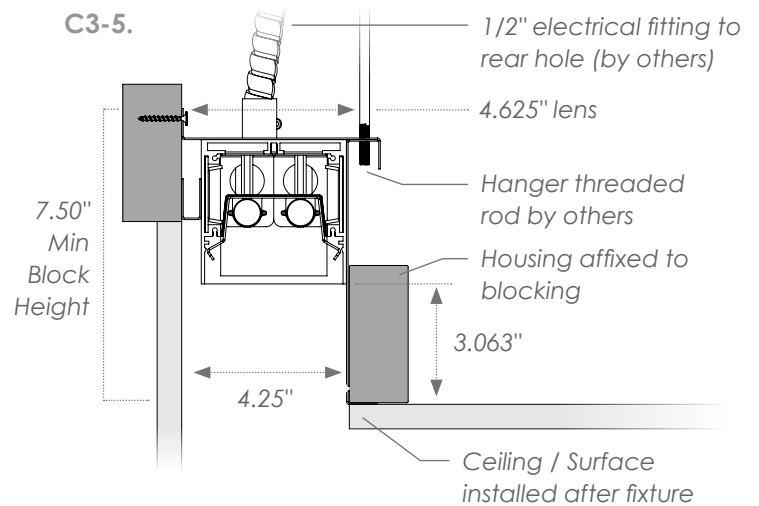
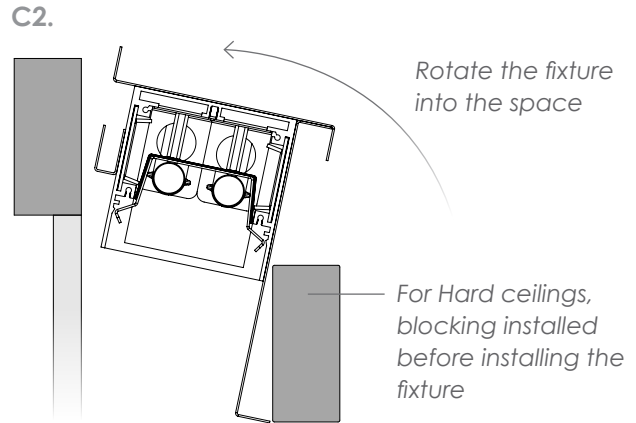
Lightplane 3.5 Recessed – LP3.5R

INSTALLATION INSTRUCTIONS | Recessed



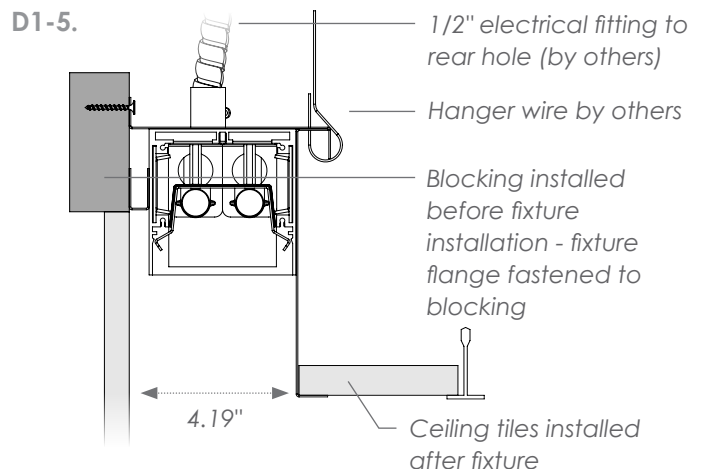
INSTALLATION C – PERIMETER GYPSUM

- C1.** Install the blocking before installing the fixture according to the dimensions (see C3-5 diagram).
- C2.** Rotate the fixture into the installed blocking, be careful not to damage the fixture.
- C3.** Fastened the fixture to the blocking.
- C4.** Attach the electrical to the rear knockouts. Attach the electrical to the rear knockouts.
- C5.** Install the ceiling surfaces last and then patch and paint the ceiling.



INSTALLATION D – PERIMETER GRID

- D1.** Install the blocking before installing the fixture according to the dimensions (see right).
- D2.** Move the fixture into place, be careful not to damage the fixture.
- D3.** Fastened the fixture to the blocking.
- D4.** Attach the electrical to the rear knockouts. Attach the electrical to the rear knockouts.
- D5.** Install the ceiling tiles last.



Lightplane 3.5 Recessed – LP3.5R

INSTALLATION INSTRUCTIONS | Recessed



INSTALLATION D – LENS SECURITY CLIP

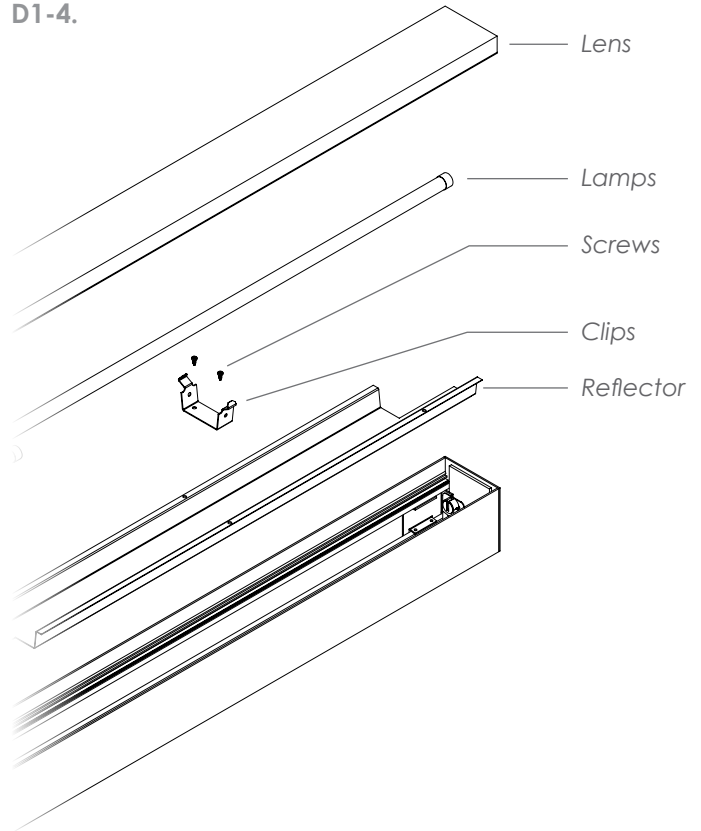
D1. Secure the clip to the white reflector with the 2x self drilling / self tapping sheet metal screws (provided).

D2. Install the 2x lens security clips 1/3 of the length of the aluminum extrusion. Avoid installing lens clips in the center of the lens.

D3. Remove the reflector to attach the lens clip and prevent damages to the electrical components. The reflector must fully be seated in the fixture and align to the second slot.

D4. The lens security clip should apply pressure to the lens at this location. The clip can be adjusted to support the lens as needed.

D1-4.



SAFETY WARNING!

Turn **OFF** all power at the circuit breaker before lens security clip installation. Do **NOT** install clips on an energized fixture.