



LIGHTPLANE 2R

LP2R | RECESSED

STANDARD SIZES

2" Aperture
Configurable in linear shapes and straight run sections
Compatible with Drywall, T-Grid, Slot, and Armstrong® Techzone

LAMPING

LED - 80/90 CRI - 3000K/3500K/4000K
Output Options: LOW/MED/HI/DECOR/Tunable White/RGB/RGB+W
Dimming down to 0%

FINISH

Aluminum, White, Black, Silver, Brass, RAL Classic Colors

CONSTRUCTION

Industrial Strength Extruded 6061 Aluminum





PRODUCT SUBMITTAL WORKSHEET

SAMPLE PRODUCT CODE

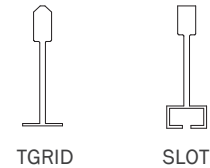
LP2RT – DRY – SQ5 – HI/90/3500 – 0/10V/1% – EXT/F – AL – UNV – EMC/1 – PH/3

1. BASE MODEL (CHOOSE ONE)

- LP2RT** **QS** 2" Recessed – Trimmed
- LP2RMUD** **QS** 2" Recessed – Trimless (for Mud-In Installation into Drywall Only)

2. CEILING TYPE (CHOOSE ONE – ADDITIONAL CEILING TYPES MAY BE AVAILABLE, CONSULT ALW)

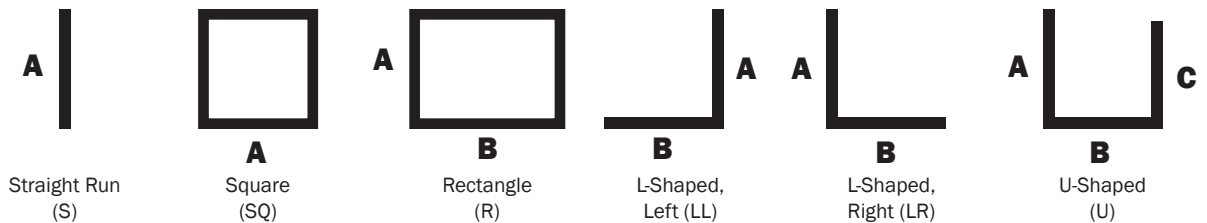
- DRY** **QS** Drywall
- TGRID** **QS** T-Grid
- SLOT** **QS** Slot
- ATZ/TGRID** **QS** Armstrong® Techzone T-Grid



3. SHAPE/LENGTH (CHOOSE ONE & INDICATE LENGTH IN FEET – FOR CUSTOM ANGLES, CONTACT ALW)

- S__** **QS** Individual/Straight Run Section (enter length, ex. S5)
- SQ__** **QS** Square Configuration (enter side length A, ex: SQ5)
- R_ _** **QS** Rectangular Configuration (enter side lengths A and B, ex. R5-7)
- LL_ _** **QS** L-Shaped, Left Configuration (enter side lengths A and B, ex. LL5-7)
- LR_ _** **QS** L-Shaped, Right Configuration (enter side lengths A and B, ex. LR5-7)
- U_ _ _** **QS** U-Shaped Configuration (enter side lengths A, B, and C, ex. U5-7-4)

*Lengths are nominal and may vary based on lamping and other specification selections. Consult ALW when exact lengths are required.



QS = QuickShip-qualifying option. For the entire luminaire configuration to be QuickShip-eligible, ALL options specified in the configuration must be ones notated with "QS". NOTE: Maximum 800 ft. of QuickShip-eligible product per order.

SS100218-A.0



4. LED LAMPING (CHOOSE ONE UNDER A, B, & C, AS NECESSARY)

A. OUTPUT

- QS LOW**
- QS MED**
- QS HI**
- DECOR**
- TUNE**
- RGB**
- RGBW** (80CRI, 4000K White)

B. CRI¹

- QS 80**
- 90**

C. CCT²

- QS 3000K**
- QS 3500K**
- QS 4000K**

DELIVERED LUMENS (LM/FT)	WATTS (W/FT)	EFFICACY (LM/W)
See page 6 for complete details.		Up to 74 lm/W

¹CRI not applicable for DECOR, TUNE, RGB, or RGBW lamping.

²CCT not applicable for TUNE, RGB, or RGBW lamping.

5. DRIVER (CHOOSE ONE)


- 0/10V/S** **QS** 0-10V dimming down to 5% (Standard Dimming— Down to 10% for DECOR and TUNE lamping)
- 0/10V/1%** **QS** 0-10V dimming down to 1%
- 0/10V/0%** 0-10V premium dimming down to 0%
- DALI** DALI flicker-free dimming down to 0%
- DMX** DMX flicker-free dimming down to 0% (Recommended for RGB or RGBW lamping)
- ECOSYS1** **QS** Lutron Hi-lume 1% EcoSystem, constant current or constant voltage
- ECOSYS5** Lutron 5-Series 5% EcoSystem, constant current (Compatible only with LOW, MED, and HI lamping)

*Driver specifications provided upon request to assist with control system integration.

6. LENS

- EXT/F** **QS** Extra diffuse, flush

7. FINISH (CHOOSE ONE)

- AL** **QS** Natural Anodized Aluminum (Standard Finish)
- BK** **QS** Black Powder Coat
- BRS** Brass Metallic Powder Coat
- SV** Silver Powder Coat
- WH** **QS** White Powder Coat
- WH/AM**  White Antimicrobial Powder Coat (for healthcare environments)
- RAL_____** Specify RAL Classic Color code (ex: RAL3003) ralcolorchart.com/ral-classic

8. VOLTAGE (CHOOSE ONE)

- UNV** **QS** Universal Voltage (120VAC-277VAC)
- 347** 347 Volt (Driver options may be limited)

QS = QuickShip-qualifying option. For the entire luminaire configuration to be QuickShip-eligible, ALL options specified in the configuration must be ones notated with "QS". NOTE: Maximum 800 ft. of QuickShip-eligible product per order.

SS100218-A.0



9. ADDITIONAL OPTIONS (OPTIONAL — CHOOSE ONE UNDER A & B IF DESIRED)

A. EMERGENCY OPTIONS

- EMB/___³** **QS** Emergency Battery (*indicate quantity — each battery powers 4ft with a delivered lumen output of 1176lm*)
- EMC/___³** **QS** Emergency Circuit (*indicate quantity of 4ft sections to be illuminated by emergency circuit*)

³For fixtures under 4ft in length, entire fixture will be illuminated with a proportional lumen output. Consult ALW for more details.

B. SENSOR OPTIONS (COMPATIBLE ONLY WITH 0-10V DRIVERS — DEFAULT QUANTITY IS 1 SENSOR PER 8FT, INDICATE ALTERNATE QUANTITY IF DESIRED)

- ENLGH/___⁴** **QS** Enlighted® remote smart sensor (*occupancy, daylight, networking, and more*)
- OS/___** 0-10V remote occupancy sensor
- PH/___** 0-10V remote photocell/daylight sensor

⁴Enlighted® Gateway and Energy Manager (by others) plus programming required. Learn more at enlightedinc.com.

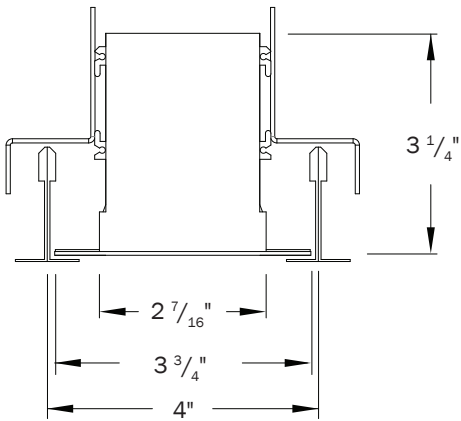
QS = QuickShip-qualifying option. For the entire luminaire configuration to be QuickShip-eligible, ALL options specified in the configuration must be ones notated with "QS". NOTE: Maximum 800 ft. of QuickShip-eligible product per order.

SS100218-A.0

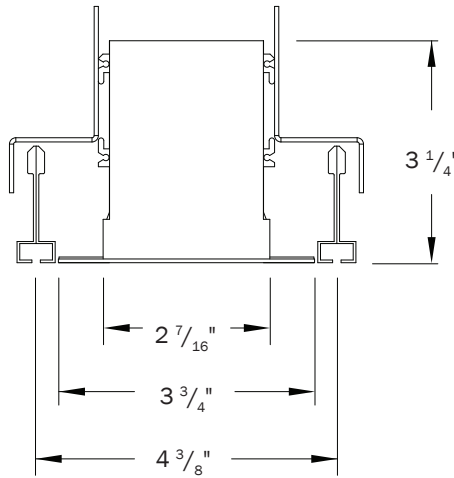


MECHANICAL DIAGRAMS – DIMENSIONS

TILE CEILING

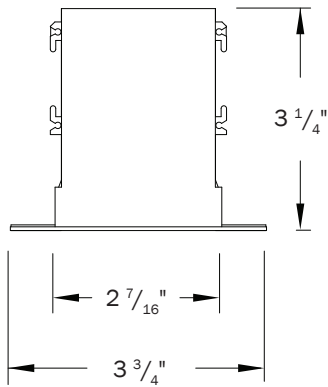


LP2RT
TGRID & ATZ/TGRID

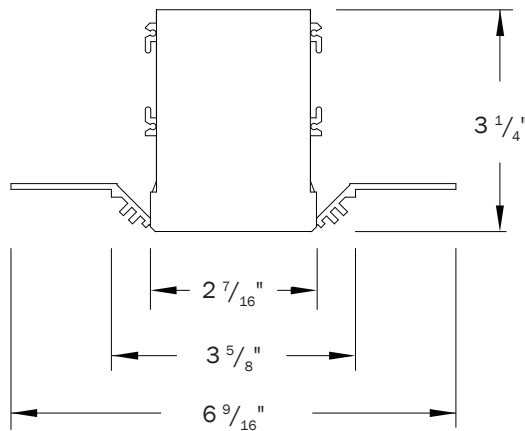


LP2RT
SLOT

DRYWALL



LP2RT
DRY



LP2RMUD
DRY



PERFORMANCE DETAILS – LED LAMPING

OUTPUT	DELIVERED LUMENS (LM/FT)	WATTS (W/FT)	EFFICACY (LM/W)	CRI OPTIONS	CCT OPTIONS
LOW⁵	523	7.1	74	80 90	3000K 3500K 4000K
MED⁵	685	10.3	67		
HI⁵	926	14.7	63		
DECOR⁶	192	5.9	33	N/A	2700K-5700K
TUNE^{6,7}	437	8	54		
RGB⁷	Color-Changing RGB	5	N/A	80	N/A
RGBW⁷	Color-Changing RGB + 4000K White	5			4000K

⁵Performance calculations are based on 80 CRI and 4000K. Calculations are extrapolated values.

⁶Performance calculations are extrapolated estimates for mid-range CCTs. Cooler and warmer CCTs will provide lower delivered lumens (i.e. lower lm/W, higher W/lf).

⁷DMX driver recommended; controller not included.



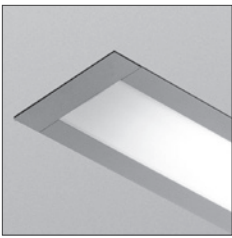
ADDITIONAL OPTIONS & SPECIFICATIONS

ELECTRICAL PERFORMANCE

LED drivers are Class 2, $L_{70} > 54,000$ hours.
80+ CRI. Luminous flux +/- 5%.

LENS OPTIONS

Extruded, twin-layered, high-impact acrylic. EXT is white and extra diffuse with minimal- to no-source visibility.



FLUSH LENS

HOUSING

100% recyclable, extruded architectural grade 6061 aluminum with a 0.08" minimum wall thickness.

SAFETY & REGULATORY

ETL Listed (U.S. & Canada). Suitable for dry or damp locations.
Conforms to UL std. 1598, Luminaires.

Certified to CSA std. C22.2#250.0:2008 Ed. 3+G1;G2.

For 347V models:

Conforms to UL std. 2108, Low Voltage Luminaires / Low Voltage Lighting Systems

Certified to CSA std. C22.2#250.0:2008 Ed. 3+G1;G2.

IC (Insulation Contact) Rated.

OPERATING CONDITIONS

Luminaire should be installed and operated ONLY in dry or damp locations where the ambient temperature ranges from -4 °F to 122 °F (-20 °C to 50 °C). Luminaire operation in environments outside the listed temperature range voids the warranty AND may damage the product or adversely impact lamp life, lumen output and color consistency.

WARRANTY

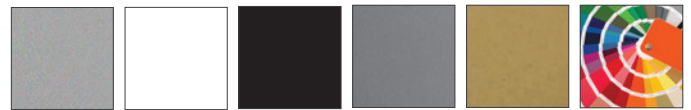
Limited 5-year warranty. Details: alwusa.com/warranty

SENSOR OPTIONS

Optional, occupancy detection (OS) and/or daylight harvesting (PS) sensor available. Or upgrade to an optional Enlighted® Smart Sensor (ENLGHT) for additional capabilities. Contact ALW for details.

FINISH

Standard finish is "Ultimatte" aluminum — a smooth, clean, and durable finish achieved from a deep etch and two-step clear anodizing process. Other options are shown below.



Aluminum White* Black Silver Brass RAL Classic

**For healthcare environments, a white antimicrobial finish (WH/AM) is also available.*