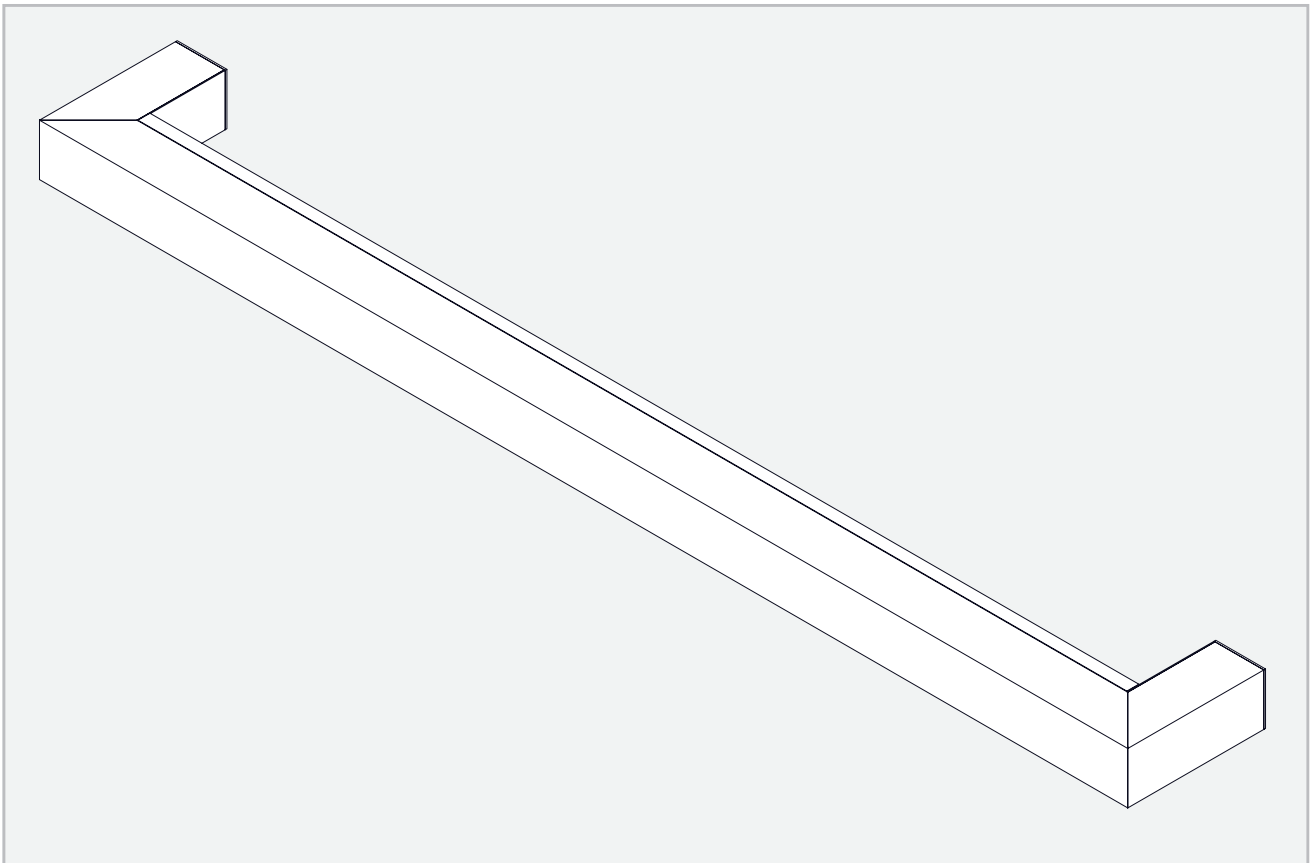




INSTALLATION INSTRUCTIONS

LADDER 2



LD2 - Safety & Warnings!

1. Read all instructions.
2. Install in accordance with national and local electrical code regulations.
3. This product is intended to be installed and serviced by a qualified, licensed electrician.
4. Do not install in wet locations. For dry and damp use only.
5. Turn off electrical power before installing or servicing fixture in any way.
6. To reduce the risk of fire and overheating, make sure all connections are tight.

LD2 - Attention!

1. Lisez toutes les instructions.
2. Installez conformément à la réglementation du code électrique national et local.
3. Ce produit est destiné à être installé et entretenu par un électricien agréé qualifié.
4. Ne pas installer à l'extérieur ou dans des endroits humides. Pour une utilisation en intérieur et sec seulement.
5. Coupez l'alimentation électrique avant de évoluer le système d'éclairage en aucune façon.
6. Pour réduire le risque d'incendie et de surchauffe, assurez-vous que toutes les connexions sont bien serrées.

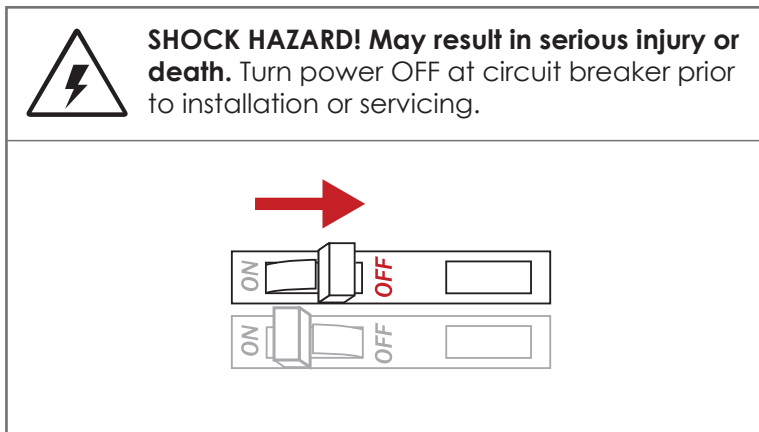
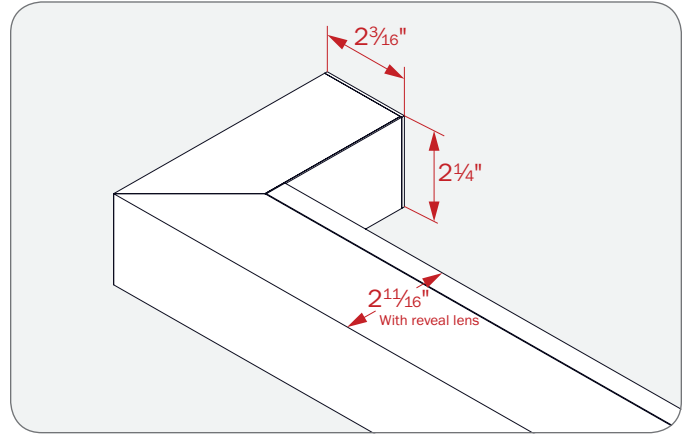
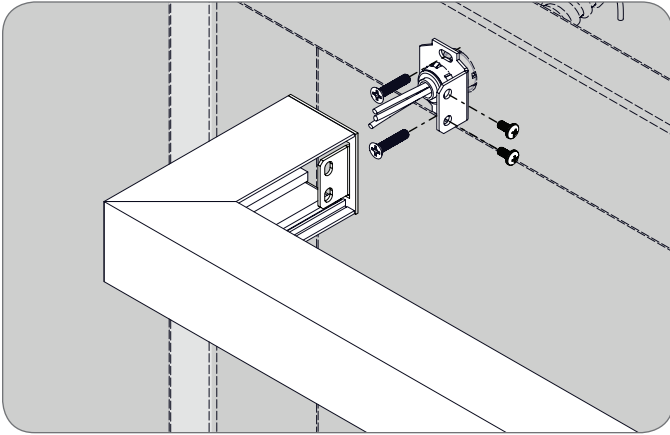


Table of Contents

Luminaire Overview	4
Diagram	4
Included parts	4
Parts by others	4
Tools required	4
Quick specs	4
Installation	5
Preparation	5
Mounting	5
Wiring Diagram	7
Traditional On/Off	7
0-10V Dimming	7
DMX	7
DALI	7
Lutron EcoSystem	7
Troubleshooting	8

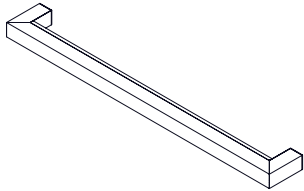
Luminaire Overview

Diagram

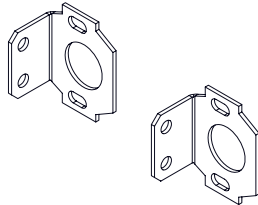


Included Parts

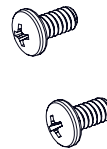
- ▣ Ladder 2 Fixture



- ▣ Wall brackets



- ▣ 10-32 Screws



Parts by others

- ▣ **One** of the below connectors depending on type of wiring (for 1/2" knock-out)



OR



Push-in/snap-in straight connector (3/8" conduit size) for **armored cable**

3/8" trade size push-in connector for **non-metallic cable**

- ▣ Wood Screws, #12, 2" long or equivalent hardware to mount brackets to structure



Tools Required

- ▣ 1 1/8" hole saw
- ▣ Wire strippers

Quick Specs

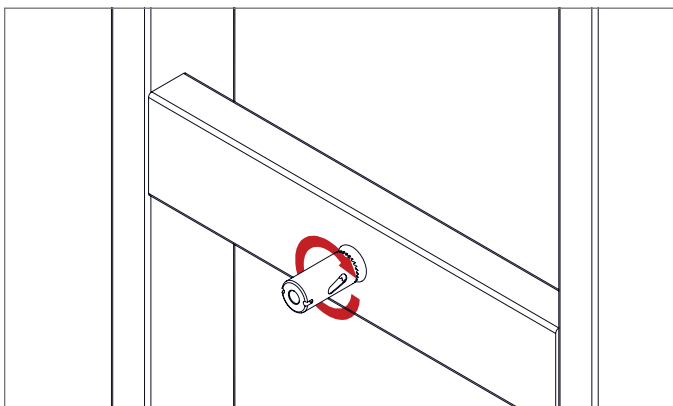
- ▣ **Input voltage/Frequency:**
See Product Label
- ▣ **Rated Current:**
See Engineering Drawing
- ▣ **Ambient Temp.:**
-4° ~ 122°F (-20° ~ 50°C)
- ▣ **Environment:**
Dry and Damp Locations

Installation: Preparation



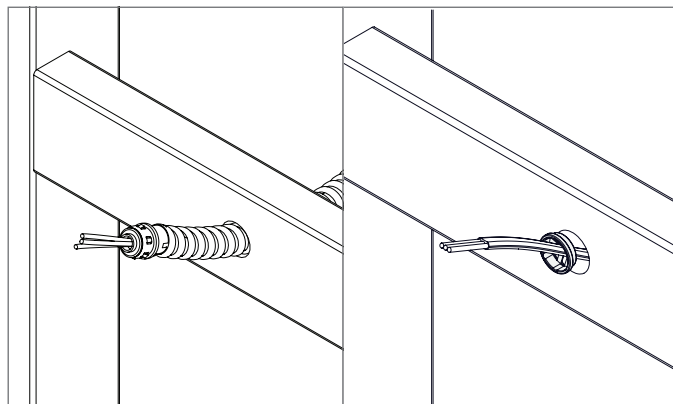
1 Install blocking/structure

See final/record drawings for mounting locations. Install blocking or framing with consideration for alignment with wiring and mounting locations.



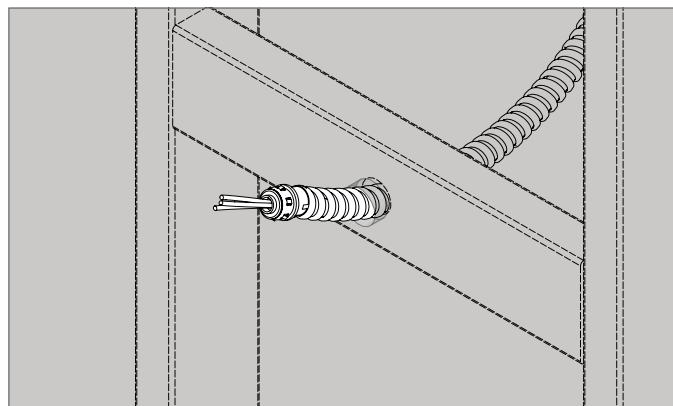
2 Drill hole in blocking/structure

Drill hole with 1-1/8" hole saw (by others) at designated spot per final/record drawings.



3 High voltage wiring

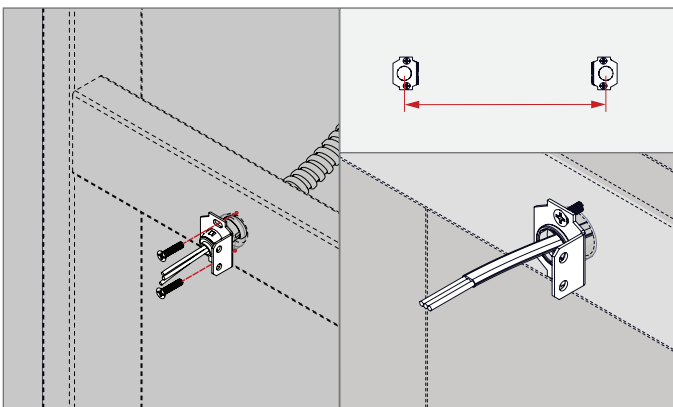
Fixture can be used with armored cable or Romex non-metallic cable. Recommend snap-in straight connector (3/8" conduit size) for armored cable or 3/8" trade size push-in connector for non-metallic cable.



4 Pass wires through wall

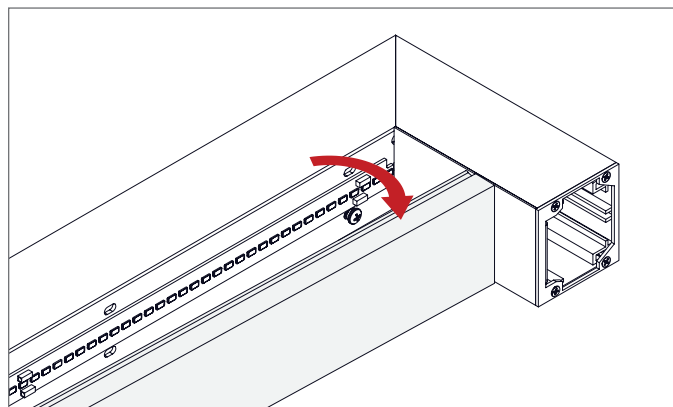
Install wall with corresponding hole for wire.

Installation: Mounting



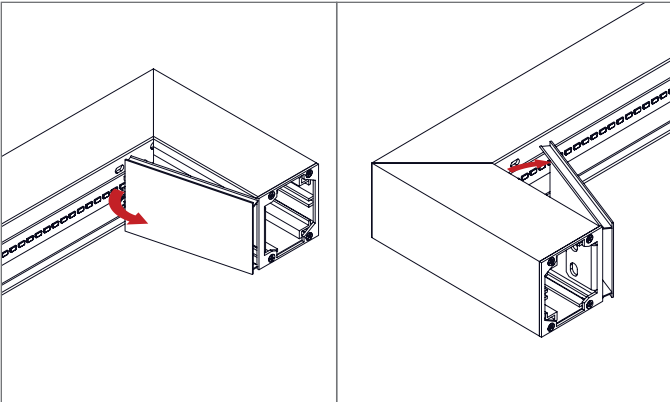
5 Install wall brackets

Install wall brackets on wall (see final drawings) with 2" long #12 wood screws (by others). Snap in connectors for armored cable/Romex cable into wall bracket.



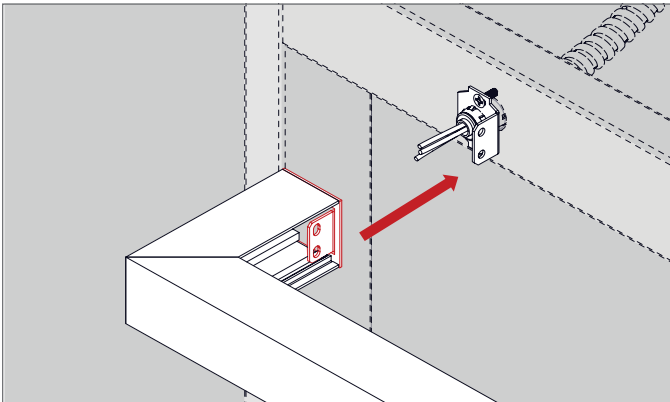
6 Remove lens

Carefully remove lens by popping it off along length.



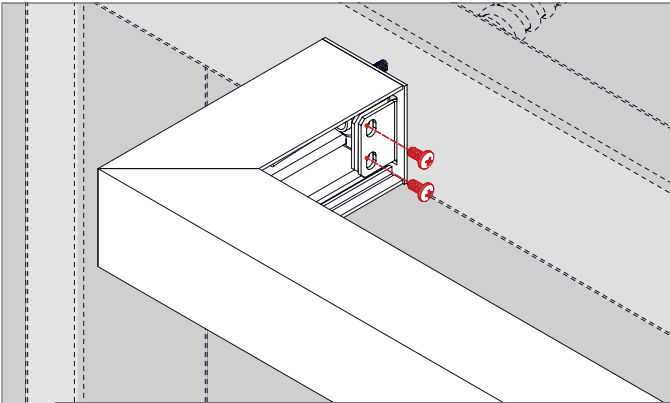
7 Remove arm covers

Remove aluminum arm covers to access mounting screws and wiring.




8 Align fixture with brackets


Put fixture over both wall brackets aligning holes on fixture end cap with holes on wall brackets.

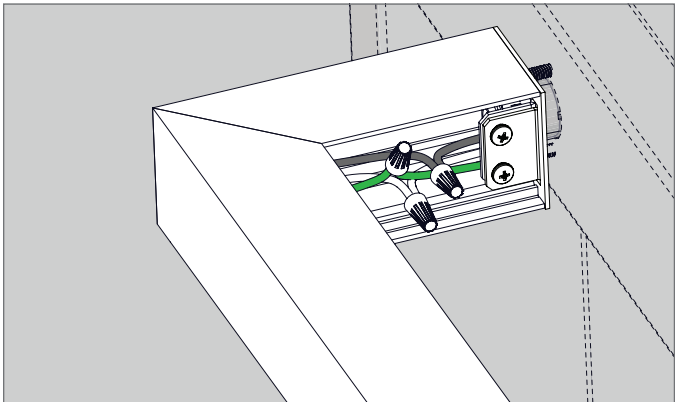


9 Screw through brackets

Secure fixture to wall/ceiling by fastening provided 10-32 screws. Do not over-tighten screws. Make sure no wires are pinched between parts.

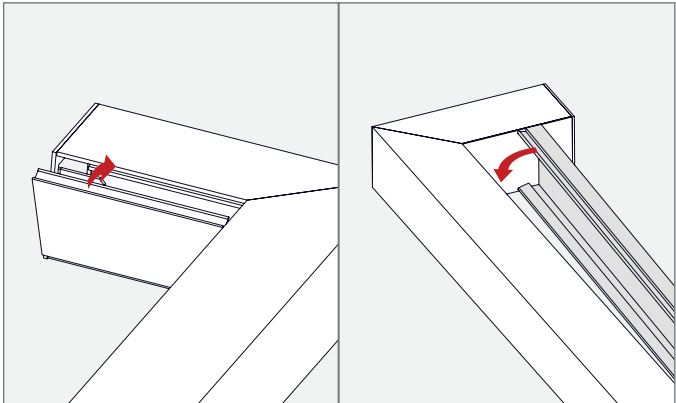
 **SHOCK HAZARD!** May result in serious injury or death. Turn power OFF at circuit breaker prior to installation or servicing.

 **DO NOT PINCH OR PUT EXCESSIVE TENSION ON WIRES** while joining sections or reattaching end caps.



10 Connect wiring

Connect wires per wiring diagram on page 7.

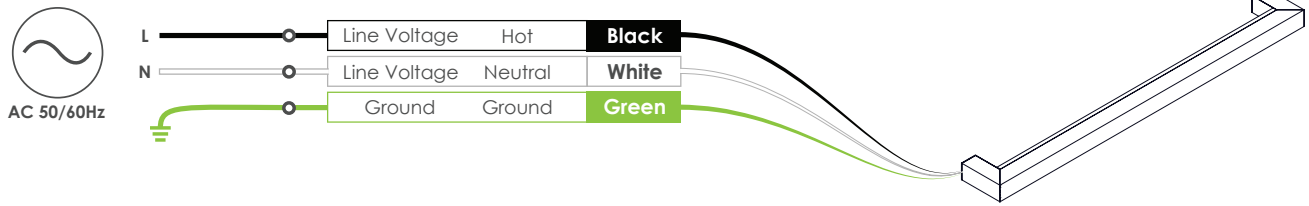


11 Replace arm covers and lens

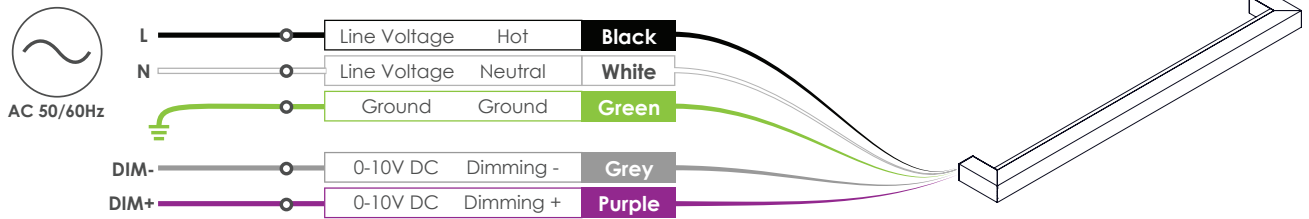
Replace both arm covers first by snapping into arms. Then replace lens by inserting in extrusion. Make sure no wires are pinched between parts.

Wiring diagram

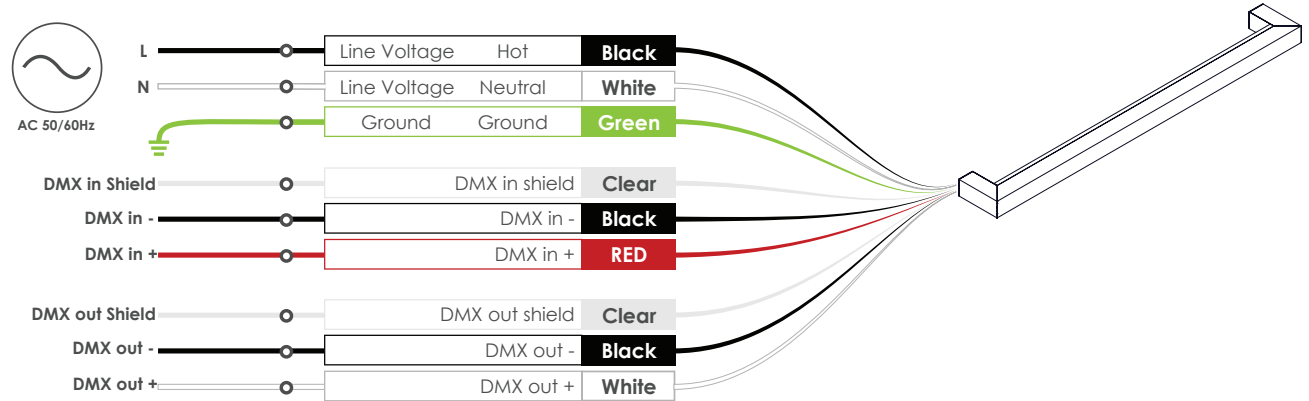
Traditional On/Off



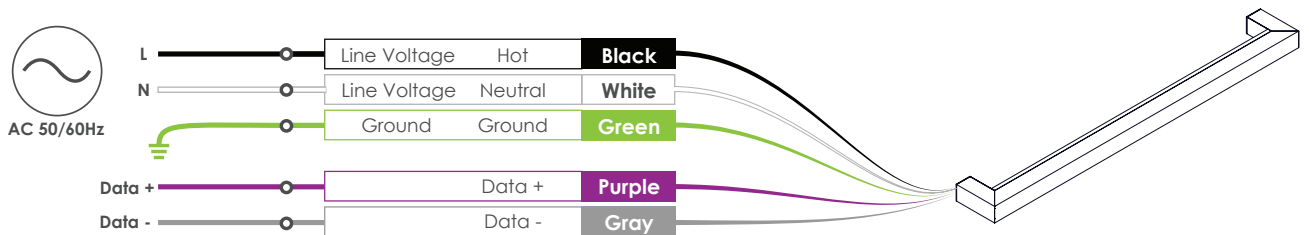
0-10V Dimming



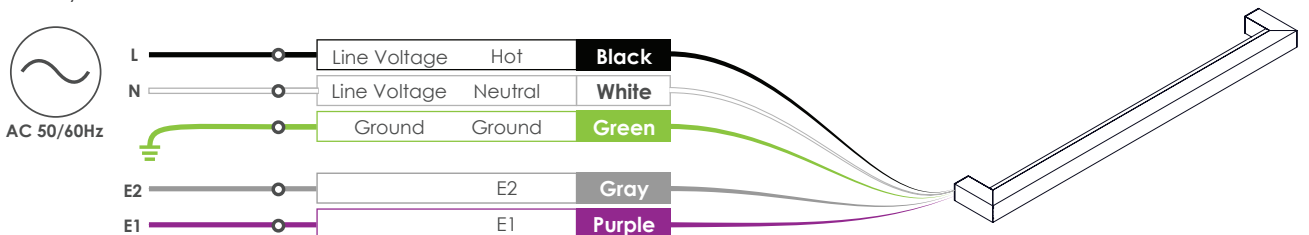
DMX



DALI



Lutron EcoSystem



Troubleshooting

Only a certified electrician can service and troubleshoot product field issues. Always turn main power off before servicing fixture.

Full Fixture does not illuminate

- Ensure fixture is wired correctly and power is on.
- Check that circuit breaker is on and not off or tripped.
- Internal LED driver may be defective.
- Ensure no wires are pinched between parts after joining sections or re-attaching end caps.

Full fixture is flickering

- **0-10V, DMX, and DALI Dimming Models:** Ensure polarity is correct for DATA + and - connections. Swapping DATA + and - connections can cause flickering.
- **TRIAC Dimming Models:** Ensure a compatible TRIAC Forward Phase dimmer is connected to fixture. Call tech support for further information.
- Possible loose DATA + and - connections from fixture to 0-10V, DMX, or DALI control.
- Possible loose low voltage DC + or - connection from driver to LED. Call customer support.

Fixture section(s) do not illuminate

- Possible loose low voltage DC + or - connection between LED boards or from LED driver to LED boards.
- Some fixtures contain multiple LED drivers. In this case, it's possible one of the drivers is defective, which will cause the LED connected to the driver not to illuminate. Call tech support.
- Ensure no wires are pinched between parts after joining sections or re-attaching end caps.

Fixture section(s) are flickering

- Possible loose low voltage DC + or - connection between LED boards.

Fixture does not dim

- **0-10V, DMX, and DALI Dimming Models:** Ensure polarity is correct for DATA + and - connections. Swapping DATA + and - connections can cause flickering.
- **TRIAC Dimming Models:** Ensure a compatible TRIAC Forward Phase dimmer is connected to fixture. Call tech support for further information.
- Possible loose DATA + and - connections from fixture to 0-10V, DMX, or DALI control.