

# HBEAM 2 - SUSPENDED & WALL Installation Guide



## IMPORTANT SAFETY INSTRUCTIONS

When installing or using this suspended fixture basic safety precautions should be followed

Read ALL INSTRUCTIONS before installing fixture.

- This fixture is intended for installation in accordance with the National Electric Code and Local and State Codes and must be installed by a licensed electrical contractor.
- DO NOT INSTALL THIS FIXTURE IN DAMP LOCATIONS.
- DO NOT INSTALL FIXTURE LESS THAN 4IN FROM CEILING.
- THIS FIXTURE IS FOR INSTALLATION IN NON INSULATED CEILINGS ONLY.
- To prevent electrical shock, turn off electricity at fuse box before installing the fixture.
- Turn off power and allow fixture to cool down before adjusting position of lamps.

### SUPPORT CABLE

- Lift the entire fixture up to cables and insert cables into CABLE GRIPPER.  
(The Cable Grippers will automatically hold the inserted cable)
- Wire the power cord with suitable wire nuts at the junction box and mount the power canopy
- Readjust the suspension cable as desired at the cable gripper to shorten and level the fixture.
- IMPORTANT - Cut Excess suspension cable slack at the grip lock after adjusted to desired height.
- All supporting surfaces must be reinforced to support the weight of the fixture using blocking or other suitable materials.

SAVE THESE INSTRUCTIONS

# HBEAM 2 SUSPENDED - HB2S

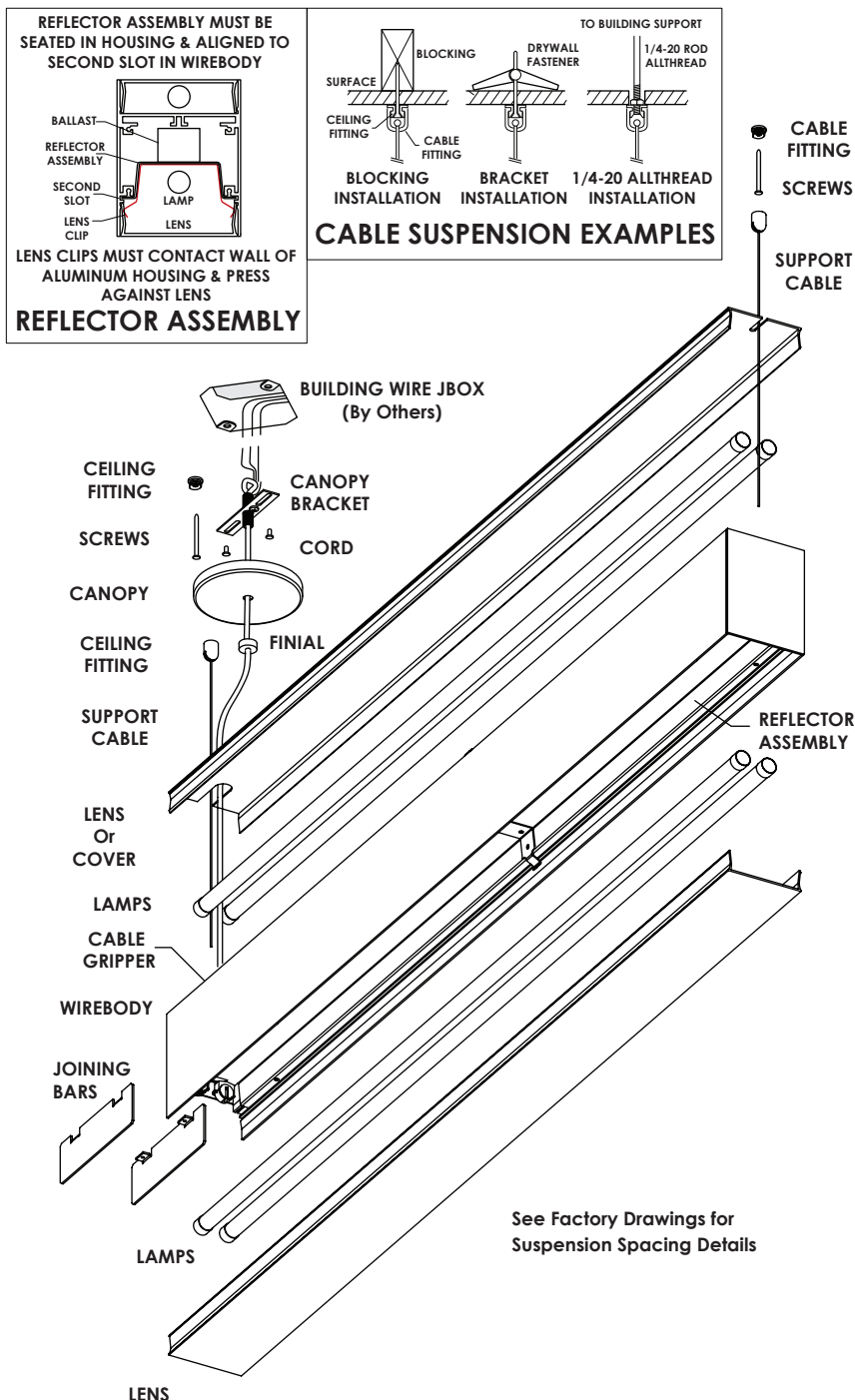
## Installation Guide

### NOTICE:

For proper installation, have a qualified electrician install this product. Before installation of any luminary onto an electrical junction box, be sure to disconnect power. This luminary must be wired and grounded in accordance with the National Electrical Code, local codes, and ordinances. Wire supply connections must be made with U.L. or ETL approved connectors. Check that luminary voltage and building voltage are the same.

### CAUTION:

EXERCISE SPECIAL CARE AND SAFETY WHILE INSTALLING AND SERVICING LUMINARY. USE OF SOFT GLOVES AND PADDED MATERIALS ARE RECOMMENDED DURING HANDLING TO AVOID MARRING THE FINISH.



### INSTRUCTION:

1. TURN OFF POWER at fuse box before proceeding.
2. Remove LENS(S) or top Cover. Set parts aside.
3. If Joining multiple fixtures together remove the REFLECTOR ASSEMBLY to access the JOINING BARS. Loosen the set screws on JOINING BAR hardware and extend them and secure. Connect wires between fixtures. Attach the white, black green wire connectors using connectors provided. Push Excess wire into fixtures. Join segments together and secure joined fixtures with the JOINING BAR Set Screws and reattach REFLECTOR ASSEMBLY. (DO NOT PINCH THE WIRES BETWEEN THE PARTS)
4. Install CABLE SUSPENSION HARDWARE to surface. Mounting method must support 50lbs. Install CANOPY BRACKET to BUILDING WIRE JBOX.
5. While Supporting the WIREBODY, Attach support cable to CABLE GRIPPER and adjust height so fixture is level. Joined fixtures may require adjusting JOINING BARS if connection loosens during Installation.
6. Insert CORD through FINIAL, CANOPY & CANOPY BRACKET. Attach CORD to BUILDING WIRE using disconnect (Provided) or using U.L. approved wire connectors: connect the luminary neutral (white) to the supply neutral, connect the luminary line wire (black) to the supply line wire. Fasten ground wire(s) (Green) to ground wire.
7. Push wires into JBOX & secure CANOPY with FINIAL. (DO NOT PINCH THE WIRES BETWEEN THE PARTS)
8. Install Lamps and LENS(S)
9. Turn On Power

# HBEAM 2 WALL - HB2W & HB2WSO

## Installation Guide

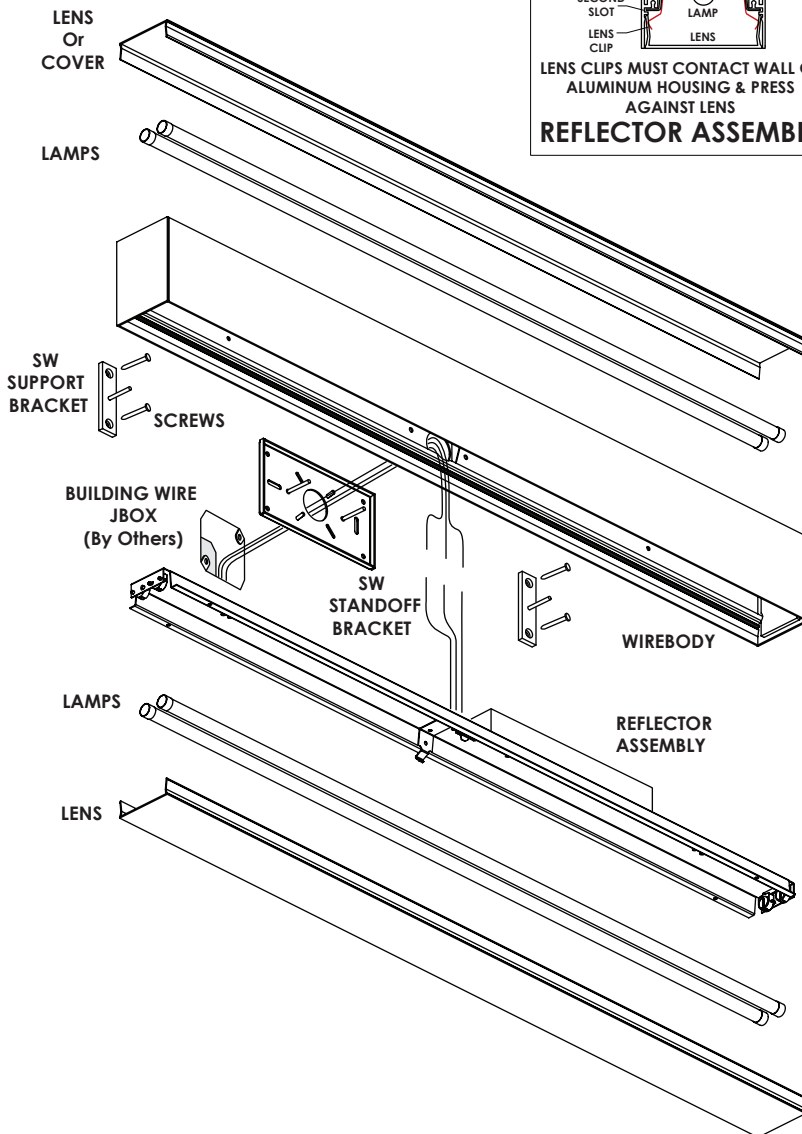
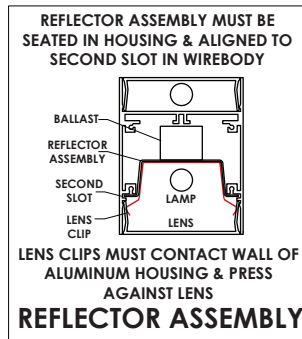


### NOTICE:

For proper installation, have a qualified electrician install this product. Before installation of any luminary onto an electrical junction box, be sure to disconnect power. This luminary must be wired and grounded in accordance with the National Electrical Code, local codes, and ordinances. Wire supply connections must be made with U.L. or ETL approved connectors. Check that luminary voltage and building voltage are the same.

### CAUTION:

EXERCISE SPECIAL CARE AND SAFETY WHILE INSTALLING AND SERVICING LUMINARY. USE OF SOFT GLOVES AND PADDED MATERIALS ARE RECOMMENDED DURING HANDLING TO AVOID MARRING THE FINISH.



### INSTRUCTION:

1. TURN OFF POWER at fuse box before proceeding.
2. Remove LENS(S) or top Cover. Set parts aside.
- 3a. For WSO installations install SUPPORT BRACKETS and STANDOFF BRACKET (Optional) to Junction box and pull Building Wire through center hole. Brackets should be adjusted to be level before installing fixture. Review sales order for specific mounting locations.
- 3b. W Installations require the Wirebody to be directly attached to the surface and Junction Box. Review sales order for specific hardware mounting locations.
4. If Joining multiple fixtures together remove the REFLECTOR ASSEMBLY to access the JOINING BARS. Loosen the set screws on JOINING BAR hardware and extend them and secure. Connect wires between fixtures. Attach the white, black green wire connectors (Provided). Push Excess wire into fixtures. Join segments together and secure joined fixtures with the JOINING BAR Set Screws and reattach REFLECTOR ASSEMBLY. (DO NOT PINCH THE WIRES BETWEEN THE PARTS)
5. While Supporting the WIREBODY, Attach WIREBODY to the CANOPY BRACKET and SUPPORT BRACKETS or directly to surface. Surface must be reinforced to support the fixture weight using blocking as needed. Secure WIREBODY to brackets using nuts and adjust fixture to be level. Joined fixtures may require adjusting JOINING BARS if connection loosens during Installation.
6. Bring conduit to 1/2" CONDUIT ENTRY on fixture from building structure and attach building power using U.L. approved wire connectors: Connect neutral (white) to the the supply neutral, connect the line wire (black) to the supply line wire. Fasten ground wire(s) (green) to ground wire. Push excess wires into the fixture.
7. Install mounting screws into MOUNTING HOLES. Mounting screws must support 50lbs. Use blocking as needed. Verify fixture orientation, indirect, direct or indirect/direct.
8. Install REFLECTORS, (lamps if needed) and LENS(S)
9. Turn on power