

### **IMPORTANT SAFETY INSTRUCTIONS**

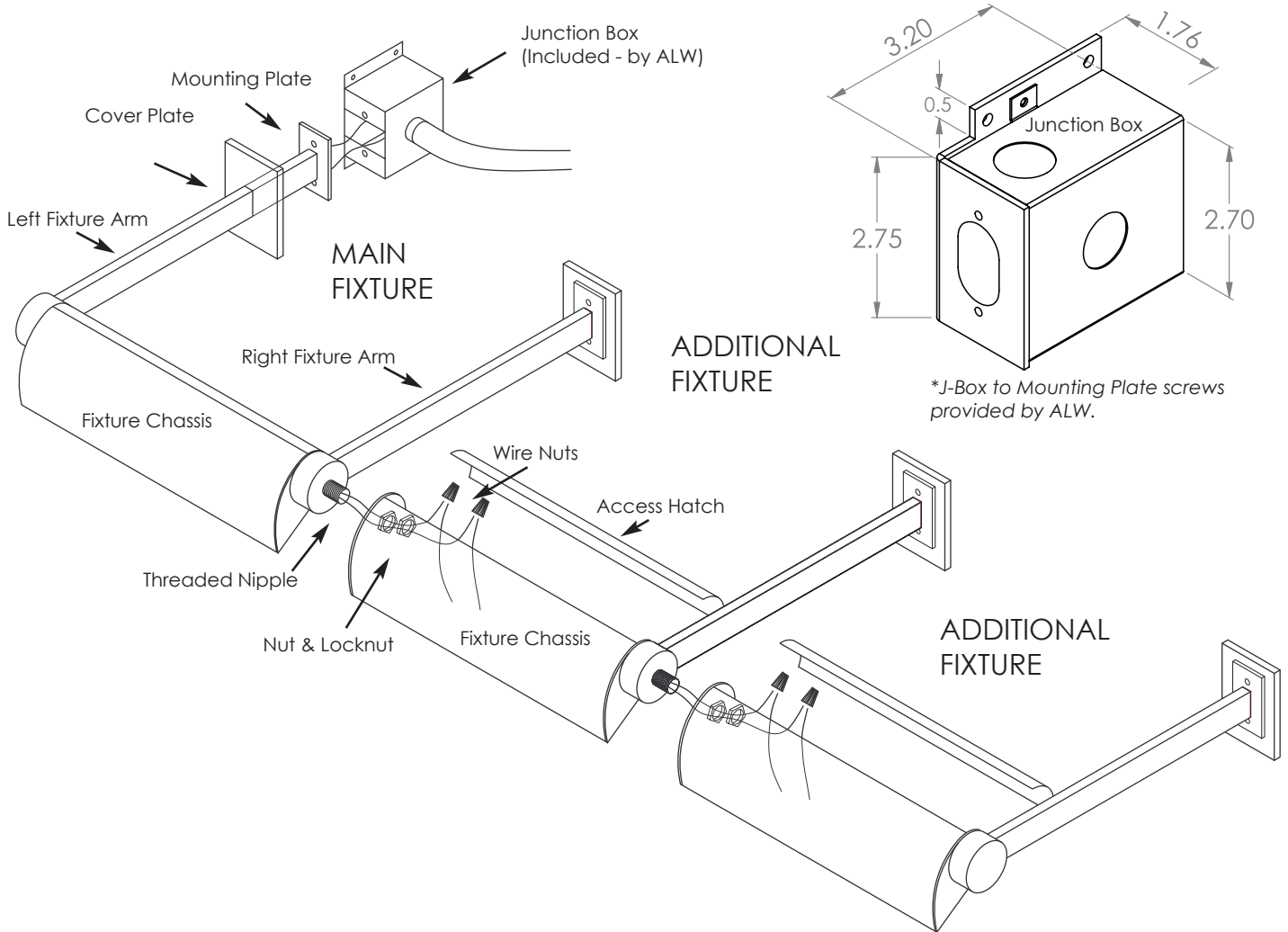
When installing or using this suspended fixture basic safety precautions should be followed

Read ALL INSTRUCTIONS before installing fixture.

- This fixture is intended for installation in accordance with the National Electric Code and Local and State Codes and must be installed by a licensed electrical contractor.
- DANGER - RISK OF SHOCK AND FIRE - DISCONNECT POWER BEFORE INSTALLATION

**TYPICAL INSTALLATION (Stem)**

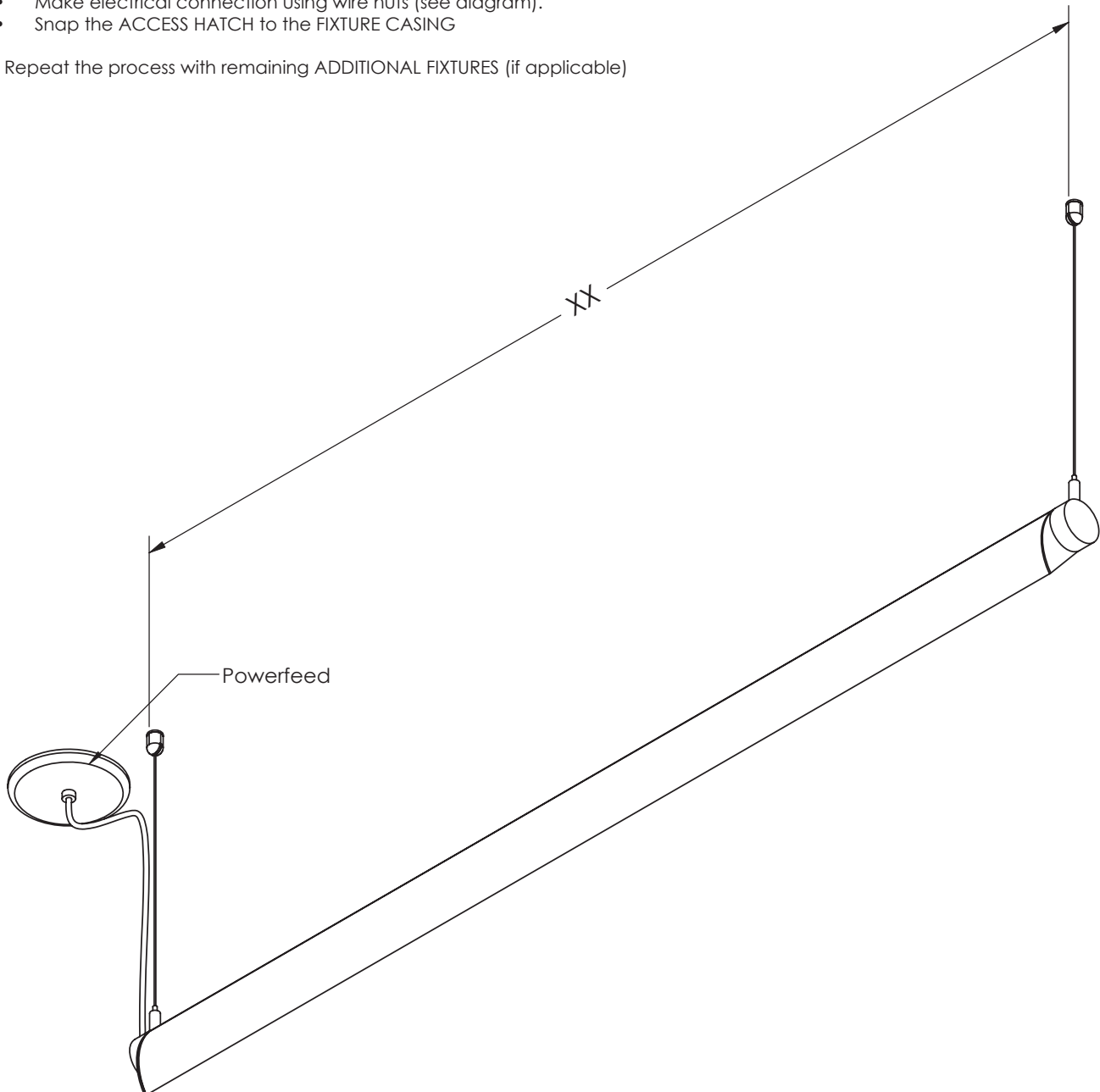
1. Install the main fixture first (if single unit, ignore additional fixture options)
  - The fixture is wired to receive power from the LEFT (see diagram) fixture arm's junction box (4" canopy by others, 2" canopy by ALW)
  - The 2" JUNCTION BOX is designed to be mounted/screwed to the side of a stud.
  - The MOUNTING PLATE then screws to the JUNCTION BOX and is covered by a cover COVER PLATE
  - The COVER PLATE secures with Velcro
  - The MAIN FIXTURE'S RIGHT ARM MOUNTING PLATE is to be screwed directly to the wall (with appropriate backing and support by others).
  
2. Next install the adjoining ADDITIONAL FIXTURE (ignore if single unit install)
  - Feed wires from the MAIN FIXTURE through the side hole of the adjoining ADDITIONAL FIXTURE.
  - Secure the fixtures together using the provided nut and locknut.
  - Screw the mounting plate of the ADDITIONAL FIXTURE to the wall (with appropriate backing and support by others).
  - Make electrical connection using wire nuts or quick connects (see diagram).
  - Snap the ACCESS HATCH to the FIXTURE CASING
  
3. Repeat the process with remaining ADDITIONAL FIXTURES (if applicable)



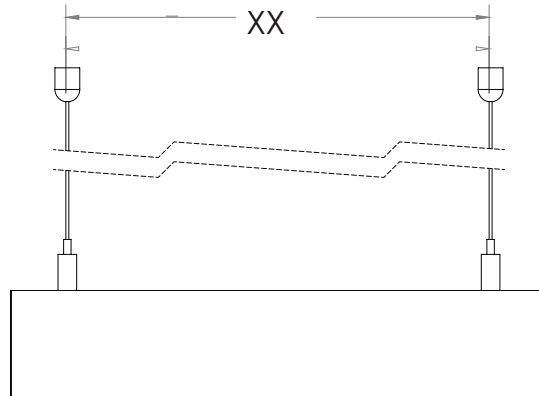
### TYPICAL INSTALLATION (Cable)

Page 3 of 4

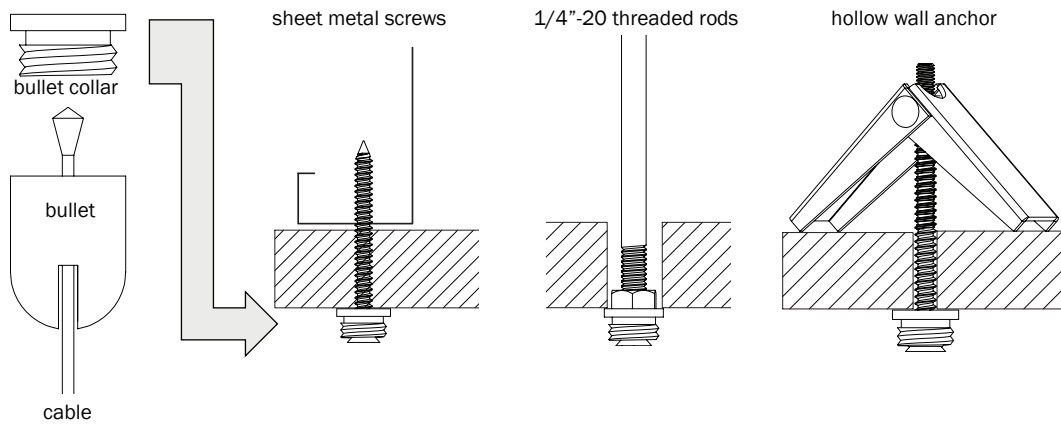
1. Install the main fixture first (if single unit, ignore additional fixture options)
  - The fixture is wired to receive power from the LEFT (see diagram) side cable canopy
  - The MOUNTING PLATE then screws to the JUNCTION BOX and is covered by a COVER PLATE
  - The COVER PLATE secures with screws to 4"0 JUNCTION BOX (By others)
  - The MAIN FIXTURE'S RIGHT ARM MOUNTING PLATE is to be screwed directly to the wall (with appropriate backing and support by others).
2. Next install the adjoining ADDITIONAL FIXTURE (ignore if single unit install)
  - Feed wires from the MAIN FIXTURE through the side hole of the adjoining ADDITIONAL FIXTURE.
  - Secure the fixtures together using the provided nut and locknut.
  - Screw the mounting plate of the ADDITIONAL FIXTURE to the wall (with appropriate backing and support by others).
  - Make electrical connection using wire nuts (see diagram).
  - Snap the ACCESS HATCH to the FIXTURE CASING
3. Repeat the process with remaining ADDITIONAL FIXTURES (if applicable)



## 1. PLAN SUSPENSION POINTS



## 2. INSTALL BULLET COLLAR TO CEILING



## 3. FASTEN BULLET AND ADJUST

