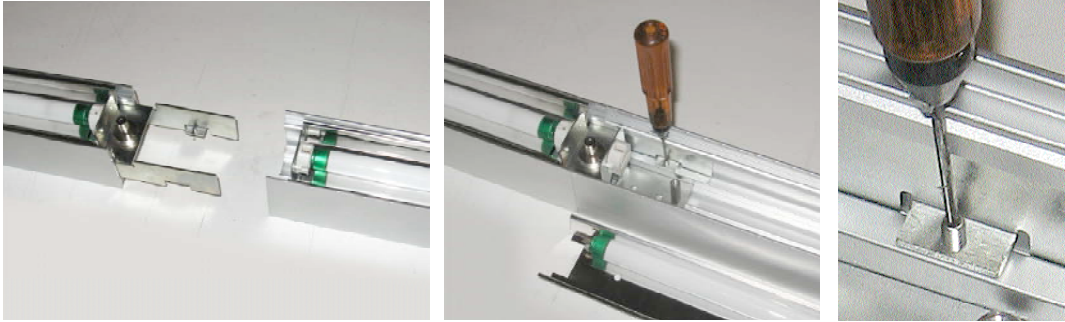
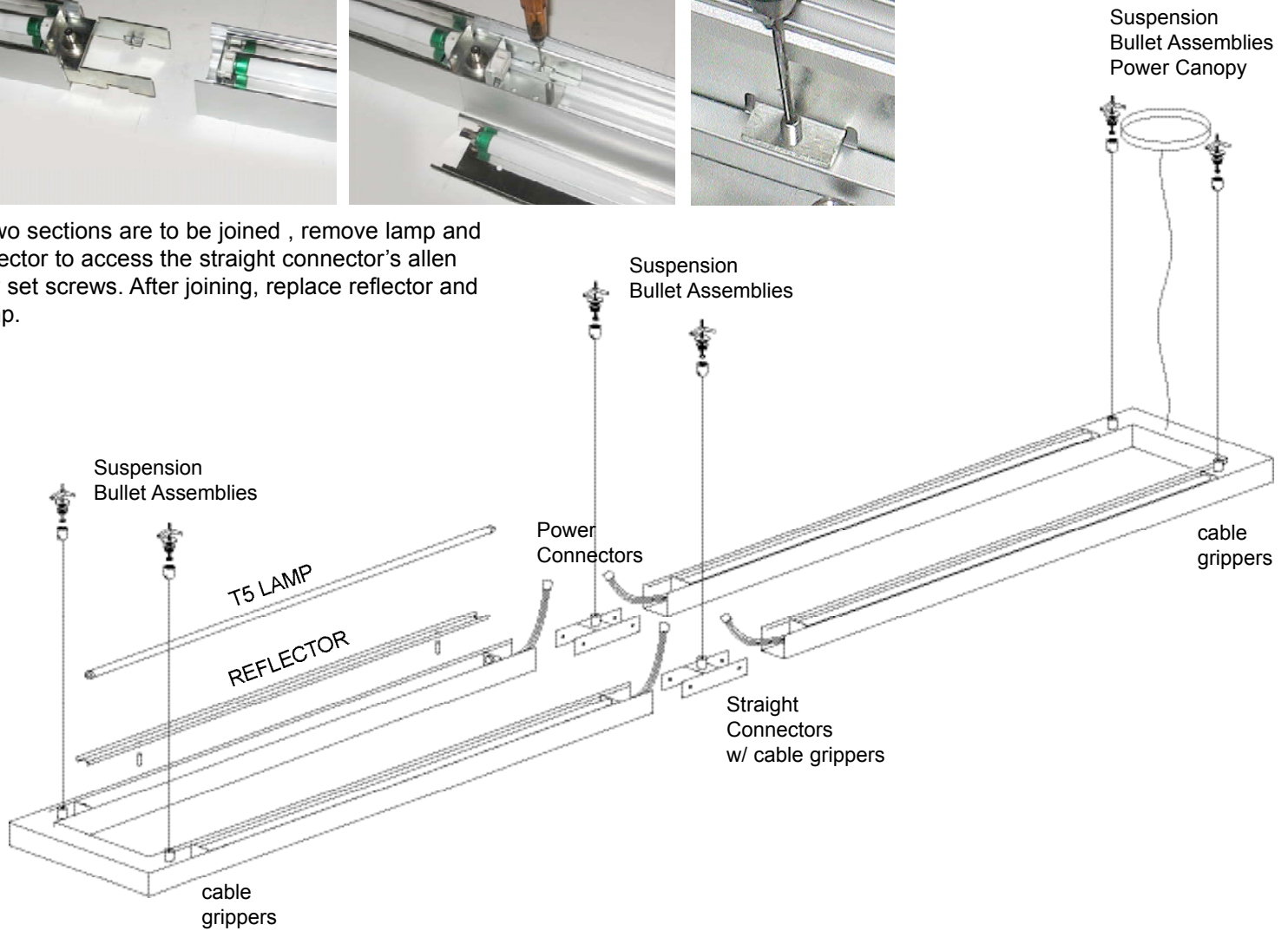


# LIGHTPLANE 11 AND 15

## Install Instructions



If two sections are to be joined, remove lamp and reflector to access the straight connector's allen key set screws. After joining, replace reflector and lamp.



## TYPICAL INSTALLATION

- Read all Safety instructions on following page. (TURN OFF power at fuse box before installing)
- Assemble fixture on ground and position below desired location of suspension.
- Install 'suspension bullets assembly' on ceiling with loose cable attached (see page 3 for details)  
(A suspension bullet assembly is to be installed above each cable gripper on the fixture span.)
- Shorten the cable bottoms to approximate the desired mounting height. (leave extra slack for leveling)
- Loosen the bushings on the top of each cable gripper to allow cables to be inserted from above.
- Lift the entire fixture up to the cables and insert the cables into the fixtures cable grippers.  
(The cable grippers will automatically grip to the inserted cable.) (Retighten the bushings)
- Wire the power cord with suitable wire nuts at the junction box and mount the round power canopy (see page 3).
- Re-adjust the the suspension cables as desired at the cable grippers to shorten and level the fixture.

# LIGHTPLANE 11 AND 15

Install Instructions



## **IMPORTANT SAFETY INSTRUCTIONS**

When installing or using this suspended fixture, basic safety precautions should be followed.

Read ALL INSTRUCTIONS before installing the fixture.

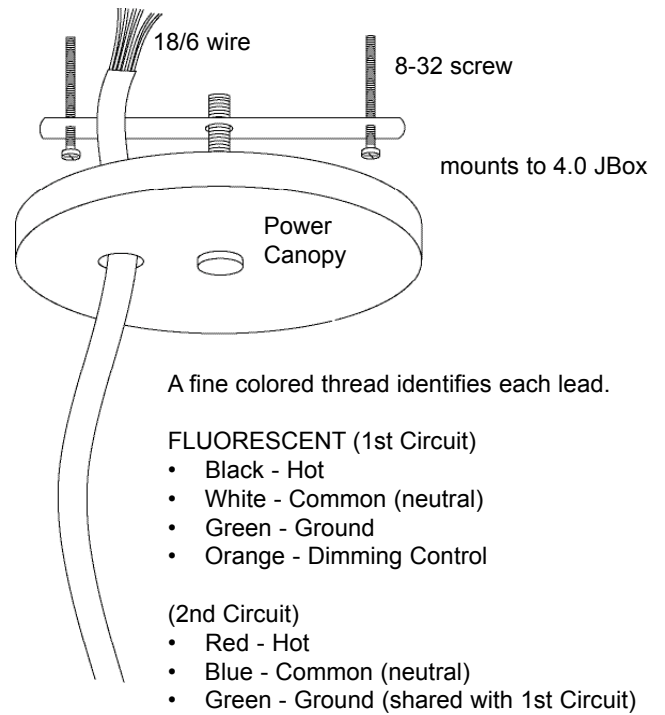
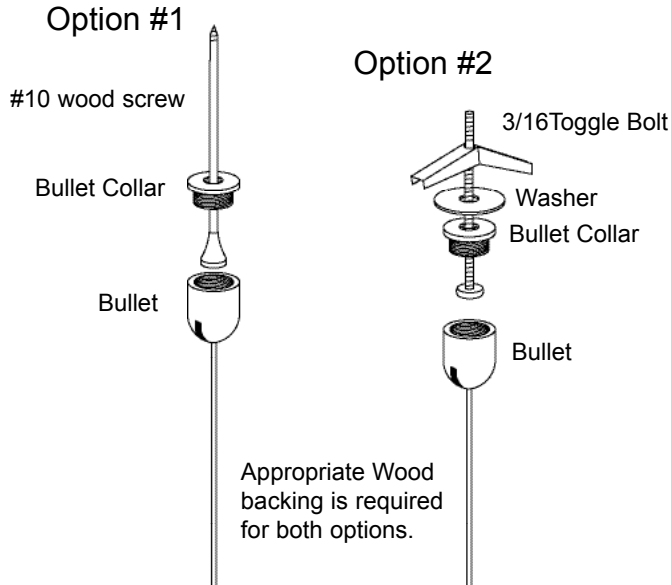
- This fixture is intended for installation in accordance with the National Electric Code and Local and State Codes and must be installed by a licensed electrical contractor.
- DO NOT INSTALL THIS FIXTURE IN DAMP LOCATIONS
- DO NOT INSTALL LESS THEN 12 INCHES FROM THE CEILING
- DO NOT INSTALL THIS FIXTURE CLOSER THEN 6 INCHES FROM ANY CURTAIN, OR SIMILAR COMBUSTIBLE MATERIAL.
- To prevent electrical shock, turn off electricity at fuse box before installing the fixture,
- Turn off power and allow fixture to cool down before adjusting position of lamp gimbals.
- Use AWG#12 wire only for supply to the fixture.

# LIGHTPLANE 11 AND 15

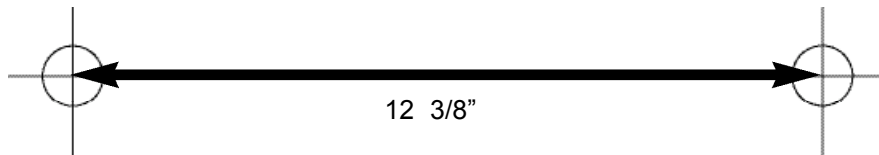
Install Instructions

## POWER CANOPY - Wiring Diagram

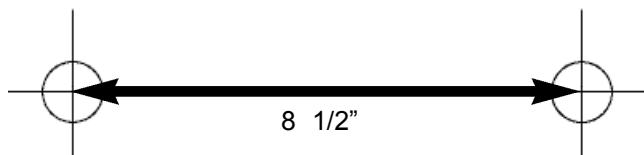
### Suspension Bullet assembly options



### LIGHTPLANE LINEAR 15 - SUSPENSION BULLET SEPARATION GUIDE



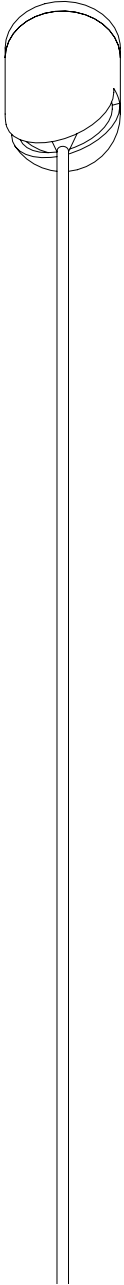
### LIGHTPLANE LINEAR 11 - SUSPENSION BULLET SEPARATION GUIDE



NOT TO SCALE

# LIGHTPLANE 11 AND 15

Install Instructions



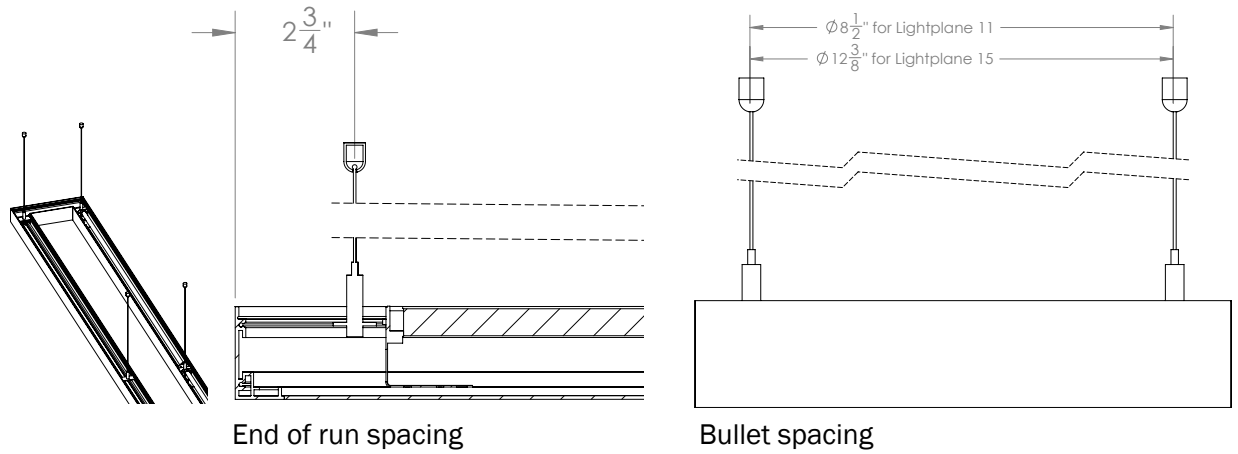
## ***ALW Ceiling Hardware*** ***Installation Instructions***

# LIGHTPLANE 11 AND 15

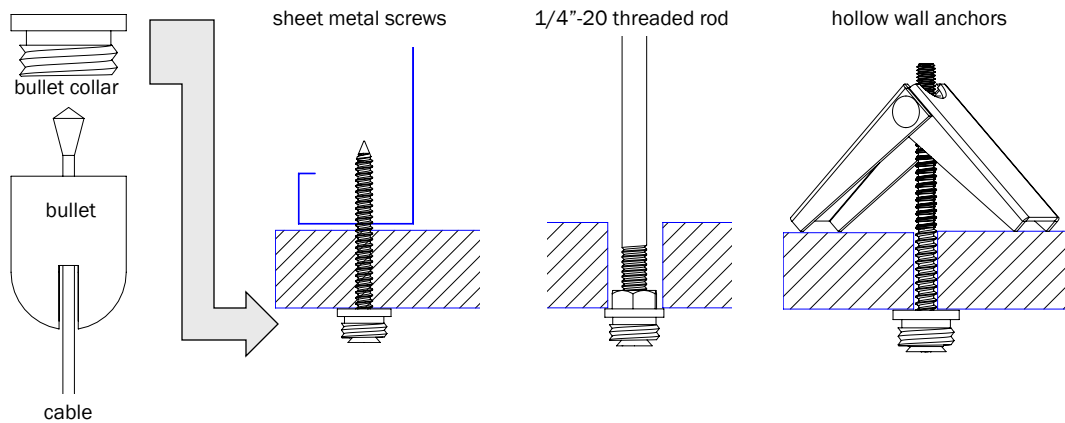
Install Instructions



## 1. PLAN SUSPENSION POINTS



## 2. INSTALL BULLET COLLAR TO CEILING



## 3. FASTEN BULLET AND ADJUST

