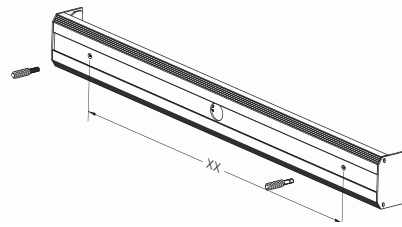


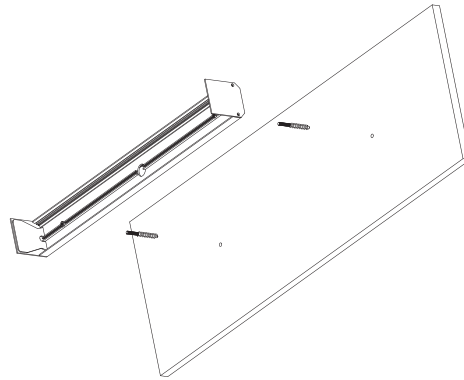
# TRIPLANE SURFACE, WALL, CEILING

## INSTALL INSTRUCTIONS

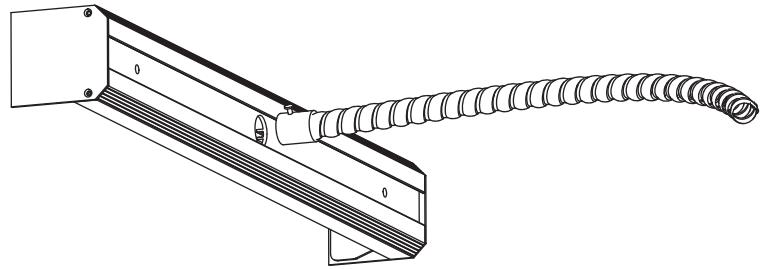
1. Check spacing of bolt holes and location of KO for electrical



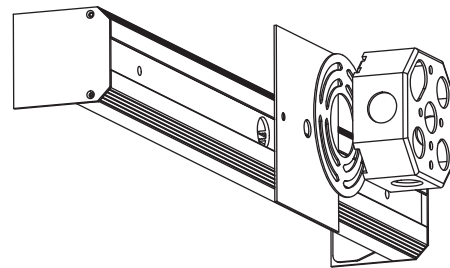
2. Screw stud anchors into wall or ceiling. Toggle Stud Anchors work (bury nut in drywall).



3. For installation without Jbox, run conduit to the knockout hole.



4. For Jbox installation:  
Run wires through cover plate, and through knockout hole into fixture.



5. Install with nuts  
Connect electrical wires  
Replace Reflector, Lamps, and Lens

