

Lightplane Linear Wall Washer

Installation Instructions

LIGHTPLANE LINEAR WALL WASHER

Install Instructions



IMPORTANT SAFETY INSTRUCTIONS

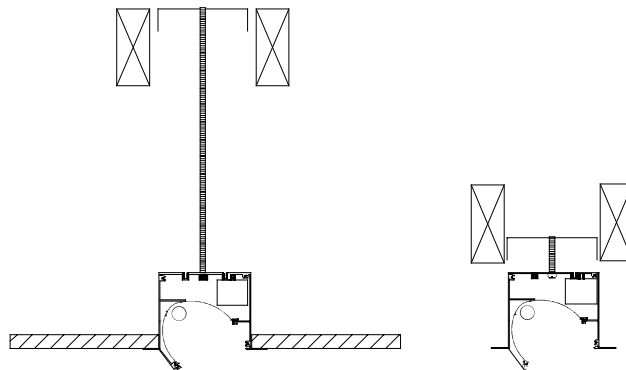
When Installing this Recessed Fixture, follow basic safety precautions. Read ALL instructions before installing the fixture

This fixture is intended for installation in accordance with the National Electric code and Local and State Codes and must be installed by a licensed electrical contractor.

- * DO NOT INSTALL THIS FIXTURE IN DAMP LOCATIONS
- * DO NOT INSTALL THIS FIXTURE CLOSER THAN 6" AWAY FROM ANY CURTAIN, OR SIMILAR COMBUSTIBLE MATERIAL
- * IT IS RECOMMENDED, FOR BEST PERFORMANCE TO INSTALL THE LPLWWT A MINIMUM OF 24" AWAY FROM WALL
- * To prevent electrical shock, turn off electricity at fuse box before installing the fixture
- * Use AWG #12 wire only for supply to the fixture

INSTALLATION INSTRUCTIONS

DECIDE IF INSTALLATION IS TO BE WITH DROP RODS (1/4"-20 THREAD), BY OTHERS, OR WITH THE 3" SCREWS PROVIDED



Continued on Next Page

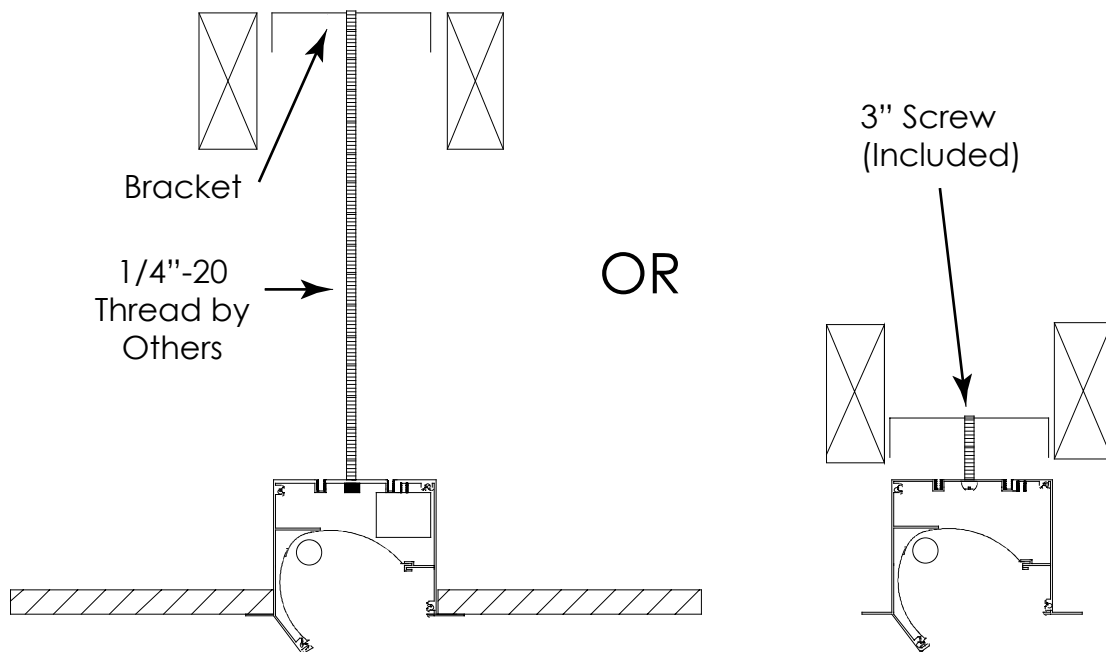
LIGHTPLANE LINEAR WALL WASHER

Install Instructions



1. Install Mounting bracket at correct height. Screw side tabs into building structure.

2. Electrical conduit is connected to back of fixture. Splices are made inside of fixture.



3. Fixture cutouts in ceiling are as follows:

-For 4ft unit = 46-1/2\"L x 4-1/4\"W

-For 8ft unit = 92-3/4\"L x 4-1/4\"W

Mount fixture and screw into brackets until flange is tight against sheet-roc

Continued on Next Page

LIGHTPLANE LINEAR WALL WASHER

Install Instructions



INSTALLATION INSTRUCTIONS (*continued*)

4. Place reflector into channel position as shown
5. Install T5 lamps

CUT OUT
4ft unit = 46-1/2"L x 4-1/4"W
8ft unit = 92-3/4"L x 4-1/4"W

