

LightPlane 11 Recessed

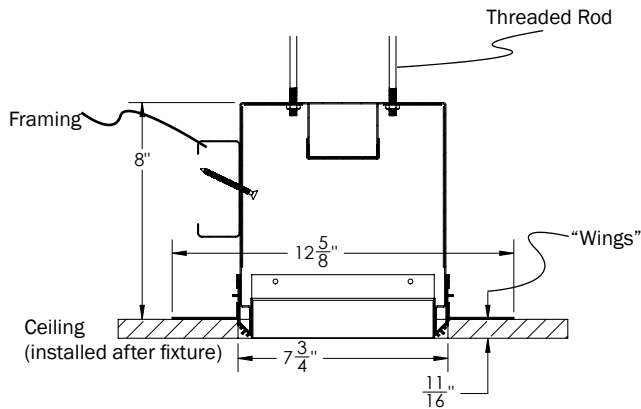
Installation Instructions

LIGHTPLANE 11 RECESSED

Install Instructions

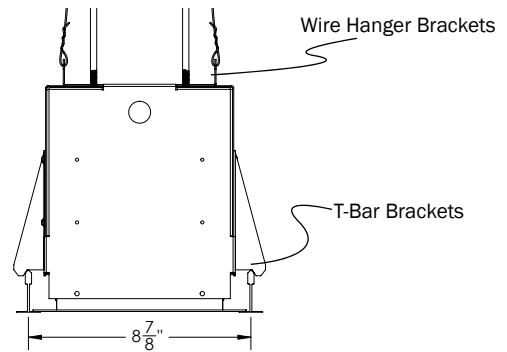
1.

Gypsum Board Ceilings



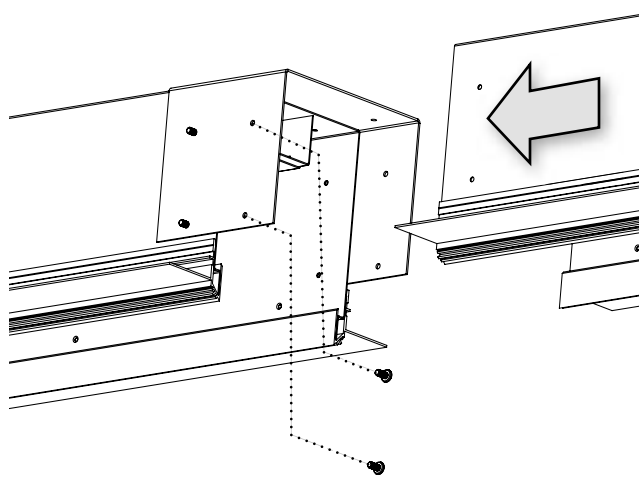
- Wings run behind Gypsum Board.
- Suspend with 1/4-20 Threaded Rod and nuts in rear holes.
- Connect to Framing.

T-Bar Ceilings



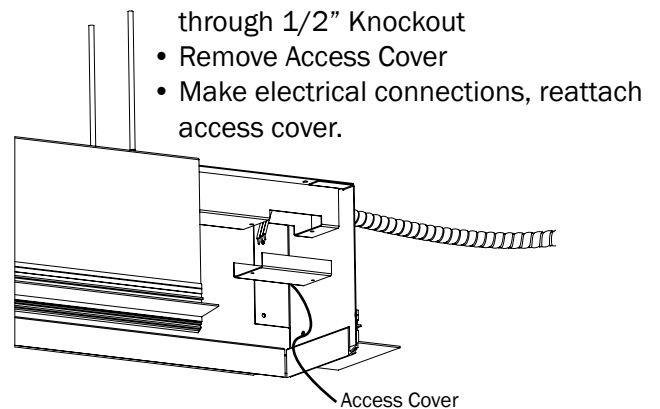
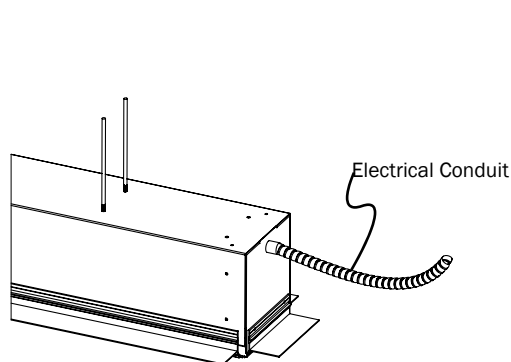
- Parallel T-Bar should be spaced 8-7/8".
- T-Bar Brackets center & support fixture on T-Bar.
- Tie off Hanger Wire to Wire Hanger Brackets.

2.



- Connect sections if necessary.
- Use 8-32 Fasteners

3.

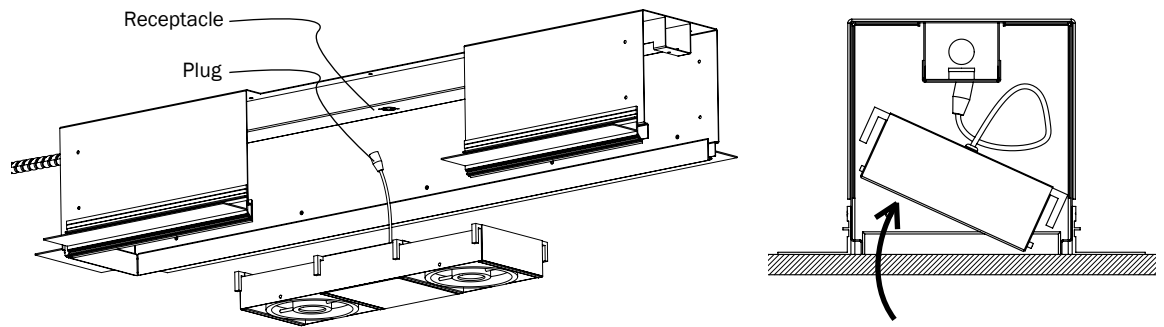


- Run Electrical Conduit to fixture through 1/2" Knockout
- Remove Access Cover
- Make electrical connections, reattach access cover.

LIGHTPLANE 11 RECESSED

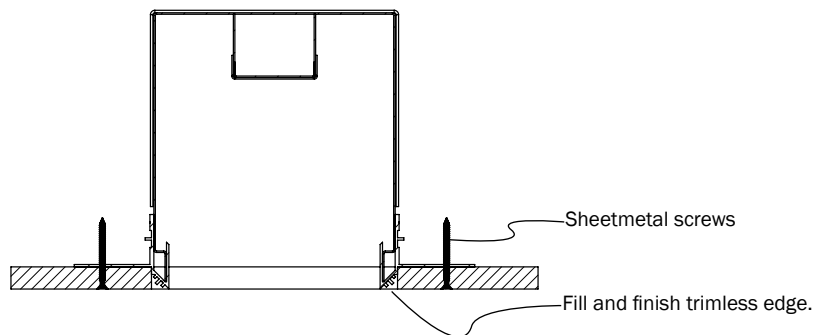
Install Instructions

4.



- Connect Module Plugs into Receptacles.
- Swing Modules into recessed channel (after ceiling installation).

5.



- For stability, fasten drywall to Wings.
- Fill, tape, sand and paint trimless edge.