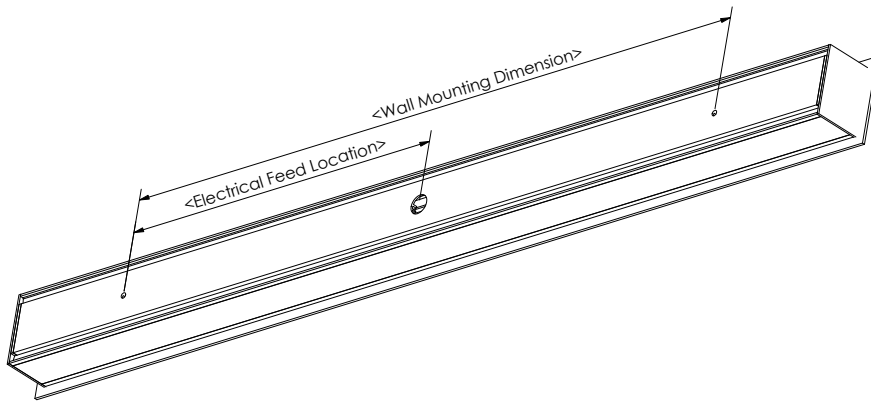
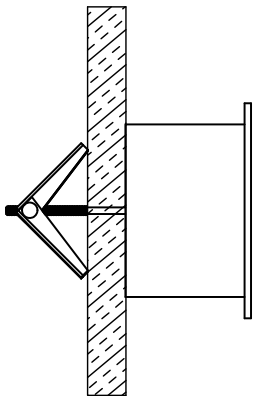


Always follow applicable building codes when installing any light fixture. Due to product variations, these instructions serve only as a general guide. Call the factory for additional guidance if required.

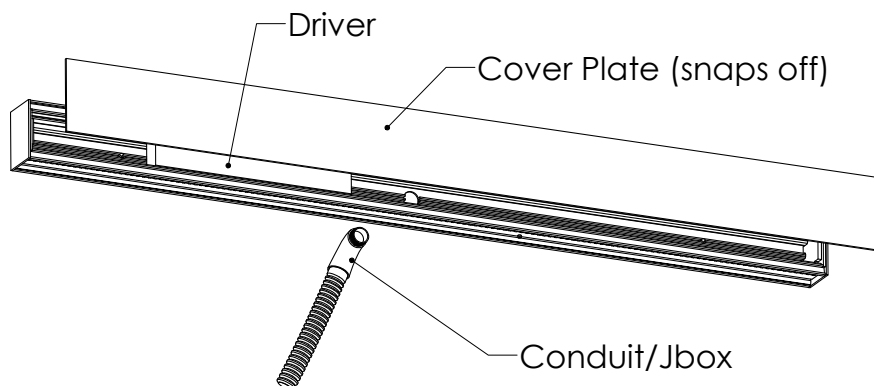
## WALL GRAZER-QUICK INSTALL GUIDE



On rear of fixture, check spacing of bolt holes and location of KO for electrical feed.



Using spacing measurements, plan mounting installation. **BLOCKING MAY BE REQUIRED.** Additional mounting holes may be drilled-be extremely careful to avoid damaging electrical wiring.



For conduit installation, run power to back of fixture and make electrical connections to driver.

Jbox installation:

Run wires through cover plate, and through knockout hole into fixture. 2" Switch Jbox may be used as well.