

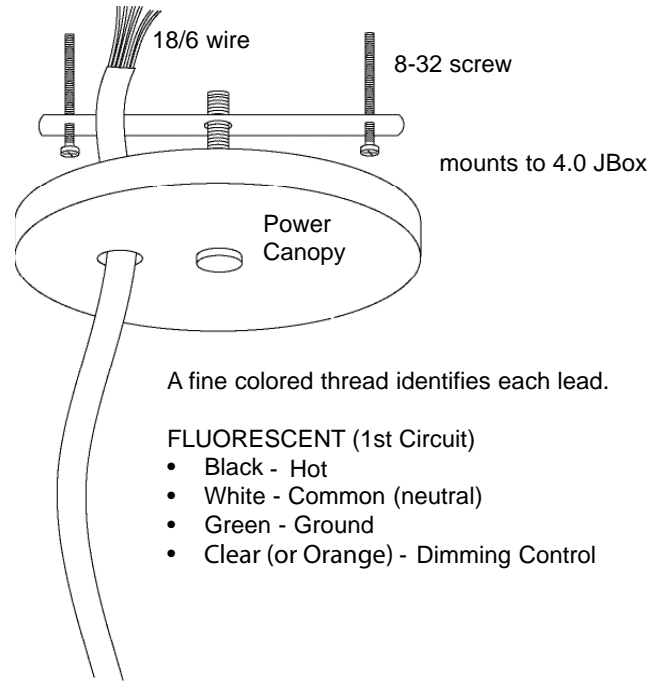
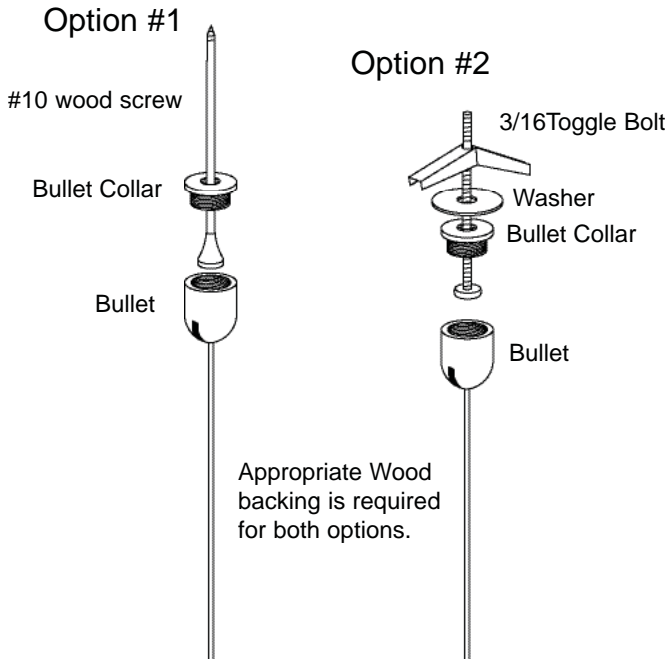
LPMONO Suspended

Install Instructions

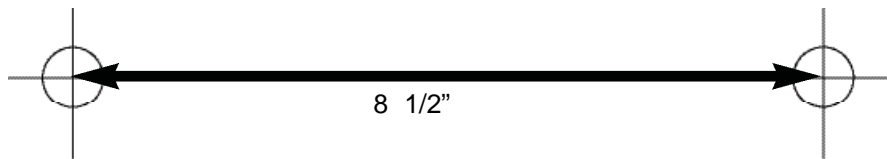
Power Canopy - Typical Wiring Diagram

Consult factory drawing your specific diagram

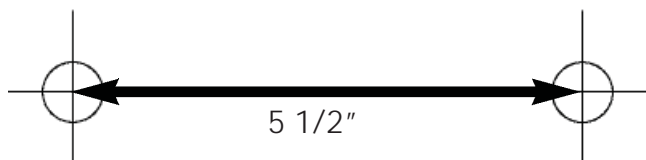
Suspension Bullet assembly options



LPMONO Wide bullet separation

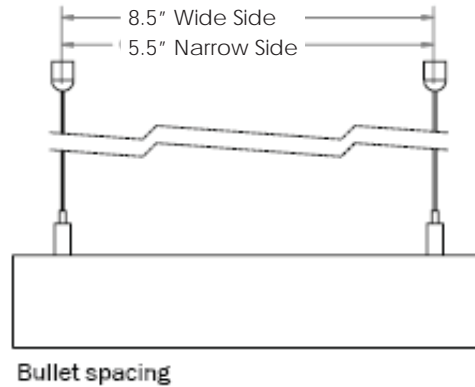


LPMONO Narrow bullet separation

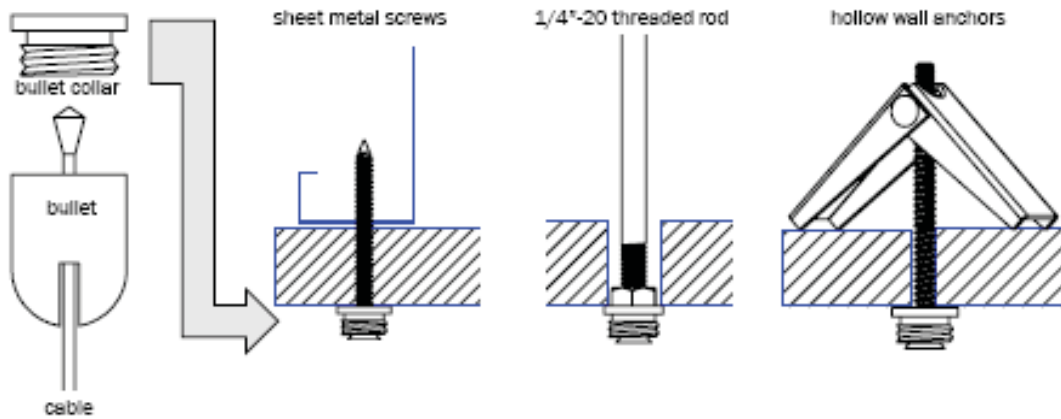




1. PLAN SUSPENSION POINTS



2. INSTALL BULLET COLLAR TO CEILING



3. FASTEN BULLET AND ADJUST

